



---

## **M Series | Mechanical VRC 2-Post Cantilever**

---

### **Installation Manual**

#### **Important:**



**Read this entire manual.  
Important safety information  
is included.**

**Before starting the installation,  
verify the job site dimensions and the  
dimensions of the delivered materials  
against the PFlow Industries, Inc.  
General Arrangement (GA) drawing.**

The illustrations depicted in this manual  
are not to scale or detail. The illustrations  
are for reference only.





Description		Section   Page
<b>1. Contact Information</b>	15705-0011	1   1
<b>2. General Information</b>	15710-0004	2   1
Introduction		2   1
General Overview		2   1
Code Requirements		2   1
Parts		2   1
Service		2   1
Feedback		2   1
<b>3. Warranty Information</b>	15710-0014	3   1
Parts and Labor		3   1
Definitions		3   1
Warranty		3   1
Exclusions		3   1
Obligation		3   1
Liability		3   2
Warranty Procedures		3   2
Pre-Authorization		3   2
Invoices		3   2
<b>4. Important Safety Information</b>	15708-0200-01	4   1
Read the Entire Manual		4   1
Intended Purpose		4   1
Potential Risks and Possible Misuse		4   1
Safety Alert Symbols		4   1
Danger Statements		4   2
Warning Statements		4   2
Caution Statements		4   4
Electrical Safety Precautions		4   5
De-energize the Circuit		4   5
Electrical Safety Precautions		4   6
Working on Energized Circuits		4   6
Notes for the Installation Electrician		4   6
Entrance Below a Raised Carriage Deck	15709-0083	4   7
<b>5. Glossary</b>	15710-0018	5   1
Unique Descriptions and Names		5   1
Gate Types		5   8
Identifying Call Outs		5   9



Description		Section   Page
<b>6. Equipment Arrival and Unpacking</b>	15710-0006	6   1
Arrival		6   1
Inspection		6   1
Transportation Damage and Claims		6   1
Shipping Photograph Examples		6   2
Shipping Packet		6   3
Unpack the VRC		6   3
Return Materials Authorization (RMA)		6   3
Warranty Work		6   3
Recommended Tools		6   4
<b>7. Pre-Installation Responsibilities</b>	15710-0008	7   1
End User Responsibilities		7   1
End User and/or Mechanical and/or Electrical Installer Responsibilities		7   1
Mechanical Installer Responsibilities		7   2
Electrical Installer Responsibilities		7   2
<b>8. Job Site General Arrangement (GA) Review</b>	15710-0011	8   1
<b>9. Frequently Asked Questions</b>	15710-0011	9   1
<b>10. Sequence of Installation</b>		10   1
<b>11. Placement</b>	15710-2020	11   1
Verify Job Site Dimensions and Carriage Orientation		11   1
Mark Alignment		11   1
Position the Carriage		11   2
<b>12. Column Setup</b>	15705-3012	12   1
Purpose		12   1
Confirm the Orientation of Each Column		12   1
Cantilever Configuration Column Guidelines		12   1
Spliced Column Guidelines		12   2
Assemble the Spliced Columns		12   2
Align the Spliced Column		12   3
Tack Weld the Spliced Column		12   3
Spliced Column Finish Welding Details		12   4
Raise and Secure the 1st Column		12   5
Raise and Secure the 2nd Column		12   6
Verify the Guide Angle to Guide Angle Alignment		12   6
Prepare the Roller Guides		12   7
Attach the Lower Roller Guide Wheelblock		12   8
Attach the Upper Roller Guide Wheelblock		12   9



Description	Section   Page
<b>12. Column Setup (continued)</b>	
Prepare the Safety Cam Assembly	12   10
Attach the Safety Cam Assembly	12   11
Review the Columns for Plumb	12   12
Inspect the Oil Level	12   13
Install the Drivebase	12   13
Review the Columns	12   15
Lift Chains	12   16
Install the Lift Chains	12   17
Adjust the Length of the Lift Chains	12   19
Remove Safety Cam Setscrew	12   19
Attach the Jackscrew Mounting Block	12   19
Level the Carriage	12   19
Install the Chain Bracket	12   20
Install the Chain Tensioner Assembly	12   20
Adjust the Turnbuckle	12   21
Position the Limit Switch Rod Arm	12   21
Review for Interference	12   21
Final Steps - Inspect and Verify	12   22
Reinstall the Chain Jump Guides	12   22
Tighten Bolts	12   22
Complete Field Welding	12   22
<b>13. Bracing</b>	15709-2050   13   1
Required Anchoring and Bracing Guidelines	13   1
Side-to-Side and Front-to-Back Bracing	13   2
Bracing Supplies	13   2
Anchoring Guidelines	13   3
Bracing Guidelines	13   4





Description		Section   Page
<b>14. Two-Level Limit Switches</b>	15709-2011	14   1
Two-Level Limit Switches		14   1
Install the Lower Level Limit Switch		14   1
Make Needed Measurements		14   2
Install the Second Level Limit Switch		14   2
Install the Overtravel Limit Switch		14   3
Finish Weld the Actuator and all Unistrut Mounts		14   3
<b>Three-Level or More Limit Switches</b>		14   4
Three-Level or More Limit Switches		14   4
Install the Lower Level Limit Switch		14   4
Make Needed Measurements		14   5
Install the Uppermost Level Limit Switch		14   5
Install the Overtravel Limit Switch		14   6
Install the Intermediate Floor Level Limit Switch		14   7
Finish Weld the Cam and all Unistrut Mounts		14   7
<b>16. Gate Identification</b>	15709-0158	16   1
Identify Components		16   1
Sliding Gate		16   2
Swing Gate		16   3
Vertical Acting Gate		16   4
Installation Instruction List		16   5



<b>Description</b>		<b>Section   Page</b>
<b>17. Gate Cable Interlock</b>	15709-0029	17   1
Purpose		17   1
General Description		17   3
Carriage Cam		17   3
Column Mounted Roller Assembly		17   3
Control Cable		17   3
Gate Cable Interlock Assembly		17   3
Peelle Terms		17   5
Danger / Warning Statements		17   6
Straddle Placement		17   7
Cantilever Placement		17   7
Adjust the Interlock Assembly		17   8
Adjust the Cam and Cable		17   8
Position the Roller Arm on the VRC Column		17   9
Wire the Electrical Switches		17   11
<b>18. Enclosure Panels</b>	15709-0038	18   1
Full Height Enclosures		18   1
Inventory Enclosure Panels		18   2
Assemble and Install Enclosure Panels		18   2
<b>19. Signage Locations</b>	15709-0035	19   1
<b>20. Landing Platform or Ramp</b>	15709-0004	20   1
Install the Gate Post Extensions		20   1
Install the Landing Platform		20   1
Install the Ramp		20   1
<b>21. Adjust Overcurrent Sensor (OCS)</b>	15709-0052	21   1
Overcurrent Sensor (OCS) Purpose		21   1
Test and Calibrate the OCS		21   1
<b>22. Start-Up Procedures</b>	15705-1014	22   1
<b>Installation Completion Checklist</b>	15710-0023	Forms   1
<b>Installation Questionnaire</b>	15708-1500	Forms   1
<b>Acceptance Certification - VRC</b>	15710-0017-VRC	Forms   1



PFlow Industries, Inc.  
6720 N. Teutonia Avenue  
Milwaukee, Wisconsin 53209



Office  
Phone: 414-352-9000  
Fax: 414-352-9002



Customer Support Department  
e-mail: [csd@pflow.com](mailto:csd@pflow.com)



Sales  
e-mail: [sales@pflow.com](mailto:sales@pflow.com)

For a list of contact personnel visit the PFlow Industries, Inc. website at:  
<https://www.pflow.com/contact>

---

## Documentation

PFlow Industries, Inc. reserves the right to make changes or improvements to the standard model line at any time. PFlow Industries, Inc. reserves the right to make changes to subsequent editions of the manual without prior notice to holders of this edition.

---

## Copyright Notice

© Copyright February 2024 by PFlow Industries, Inc.

All rights reserved.

No part of this manual may be reproduced or used in any form without expressed written permission from PFlow Industries, Inc.

This publication may be photocopied by the original purchaser. Any other type of reproduction is prohibited without express written permission from PFlow Industries, Inc.

---

## Trademarks

All trademarks referenced in this manual are the property of their respective owners.

---

## System Modifications/Disclaimer

Mechanical or electrical modifications performed on the equipment not approved by PFlow Industries, Inc. may void any warranty and/or service agreements. Please contact the PFlow Customer Support Department for assistance with service modifications.

---

## Training

Training is available upon request from the Customer Support Department. Half-Day, Full-Day, and Two-Day sessions are customized to fit specific needs - either for a single equipment type or for the entire product line.

---

## On-site Supervision

On-site supervision services are available from the Field Service Department. Contact our Field Service Manager for more details.

---

## Source Language

This manual is written in American English.

---

## Section 1 | Contact Information



**MATERIAL HANDLING SOLUTIONS**

[www.pflow.com](http://www.pflow.com)  
P 414 352 9000  
F 414 352 9002  
6720 N. Teutonia Ave.  
Milwaukee, WI 53209





---

<b>Introduction</b>	This manual provides information about the PFlow Industries, Inc. custom designed Vertical Reciprocating Conveyor (VRC). As the nations' leading manufacturer of vertical material handling equipment, PFlow Industries, Inc. is confident that this new VRC will provide many years of reliable service.
<b>General Overview</b>	The VRC provides a safe and simple means of moving material from one level to another. The simplicity of design and few moving components ensure a trouble-free, long life, with low maintenance and little downtime.
<b>Code Requirements</b>	<b><i>This VRC is designed for the movement of materials only, up to the VRC's rated capacity, from one level to the next. Do not allow anyone to ride on the VRC.</i></b> VRCs are <b>not</b> elevators, and are specifically excluded within the scope of the ASME A17.1 Safety Code for Elevators and Escalators. VRCs are included in ASME B20.1 Safety Standard for Conveyors and Related Equipment, which is incorporated by reference into OSHA 29 CFR 1910. A copy of the ASME B20.1 standard can be purchased at <a href="http://www.asme.org">www.asme.org</a> and other sources. PFlow Industries, Inc. recommends that this standard be referenced for appropriate installation, maintenance, inspection, and operation in relation to hazards. All electrical designs and components are in accordance with National Electric Code (NEC) requirements. Local codes may require initial inspection of the installation and periodic inspection and testing of the unit. Contact PFlow Industries, Inc. for more information in the event an inspection is required.
<b>NOTE</b>	<i>The information and illustrations in this manual are intended only as an aid to understanding the VRCs general installation. The information and illustrations do not cover every possible contingency or circumstance regarding nonstandard options or site conditions.</i>
	If there is a problem, call PFlow Industries, Inc. at (414) 352-9000, during normal business hours, 8:30 a.m. to 5:00 p.m. central standard time, Monday through Friday. Outside of those hours, see the PFlow Industries, Inc. Contact Information page for additional information. Use the model number and serial number or the PFlow Industries, Inc. General Arrangement (GA) drawing number for the lift in all correspondence.
<b>Parts</b>	Equipment damage resulting from modification in any manner from the original model, including the substitution of parts other than factory authorized parts, will void the warranty. Furthermore, PFlow Industries, Inc. will not be liable for any loss, injury, or damage to persons or property, nor for direct, indirect, or consequential damage of any kind resulting from modified or substitution of parts other than factory authorized parts of said material or equipment.  PFlow Industries, Inc. maintains a complete stock of, or has access to, all replacement components. Detailed records of all equipment sold are kept. If a component is damaged in shipment, is defective or missing, contact PFlow Industries immediately.
<b>Service</b>	The PFlow Industries, Inc. Customer Support Department will assist maintenance and service personnel with any questions or problems regarding the equipment or installation.
<b>Feedback</b>	Your feedback is important. Please help PFlow Industries, Inc. understand if the equipment has met your expectations. Please complete the questionnaire in this manual. The questionnaire will help us address any comments and/or concerns.

---

## Section 2 | General Information



**MATERIAL HANDLING SOLUTIONS**

[www.pflow.com](http://www.pflow.com)  
P 414 352 9000  
F 414 352 9002  
6720 N. Teutonia Ave.  
Milwaukee, WI 53209





**Parts and Labor**

<b>Parts:</b>		<b>Labor:</b>	
Structure	Lifetime	Structure	Lifetime
Manufactured Components	1 Year	Manufactured Components	1 Year
Purchased Components	1 Year	Purchased Components	Supplier
Gates and Enclosures	90 Days	Gates and Enclosures	90 Days

**Definitions**

- Structure is defined as columns, carriage, and pre-fabricated bracing (excluding carriage side guards).
- Manufactured components are defined as those components manufactured by PFlow Industries, Inc.
- Purchased components are those components that are used as supplied by vendors and covered by the Supplier’s labor warranty.

**Warranty**

PFlow Industries, Inc. expressly warrants to the original purchaser that this product will be free from defects in material and workmanship under normal, intended use. The warranty period begins 60 days after shipment.

**Exclusions**

This warranty does not apply to:

1. Equipment or components damaged or broken in transit or shipping.
2. Replacement of wear parts.
3. Equipment failures caused by abuse, misuse, exceeding recommended capacities, impact with other objects, negligence, improper installation, unskilled use, unskilled maintenance, inadequate maintenance, or incorrect adjustments.
4. Exposure to a corrosive or abrasive environment or exterior elements unless specifically built for that environment.
5. Equipment that has been repaired, altered or modified in any manner outside of the manufacturing facility, substitution of parts other than factory authorized parts, removal of any parts, or addition of any parts without prior written permission by PFlow Industries, Inc.
6. Any losses or damages resulting from loss of data, loss of revenue or profits, loss of products, incidental or consequential damages, delays, or expenses incurred by failure of said part or parts even if advised of the possibility thereof.
7. Lost time and/or additional trips for missing or damaged components.
8. Expedited freight charges.

**Obligation**

The obligation for PFlow Industries, Inc. is limited to only the replacement or repair of defective components that received prior authorization. This is the owner’s sole remedy.

PFlow Industries, Inc. will bear normal labor charges performed by an authorized PFlow Industries, Inc. service agent during standard business hours, excluding overtime, holiday rates, or any additional fees.

This warranty applies to all models and no person except an officer of PFlow Industries, Inc. is authorized to modify this warranty or to incur on behalf of PFlow Industries, Inc. any other obligation or liability in connection with PFlow Industries, Inc. equipment.



**Liability**

PFlow Industries, Inc. believes, to the best of our knowledge, that the information in the equipment manuals are accurate. In the event that technical or typographical errors exist, PFlow Industries, Inc. reserves the right to make changes to subsequent editions of the manual without prior notice to holders of this edition. The reader should consult PFlow Industries, Inc. if errors are suspected.

The customer’s right to recover damages caused by fault or negligence on the part of PFlow Industries, Inc. shall be limited to the amount paid to PFlow Industries, Inc. by the customer. The limitation of liability of PFlow Industries, Inc. will apply regardless of the form of action, whether in contract or tort, including negligence. Any action against PFlow Industries, Inc. must be brought within one (1) year after that cause of action accrues.

PFlow Industries, Inc. will not be liable for any loss, injury, or damage to persons or property, nor for direct, indirect, or consequential damage of any kind resulting from failure or defective operation of said material or equipment.

**Warranty Procedures**

All billing must be in accordance with our Warranty Procedures. Replacement of defective parts will be handled in accordance with the Return Materials Authorization (RMA) policy for PFlow Industries, Inc.

**Pre-Authorization**

- All warranty work must be pre-authorized by PFlow Industries, Inc. Customer Support Department prior to starting work.
  - Where distance and or experience may be more cost-effective, PFlow Industries, Inc. reserves the right to use alternate organizations.
  - Labor is defined as a maximum of two hours travel per call, plus reasonable on-site repair time as determined by PFlow Industries, Inc.
  - Local purchase of components must be pre-authorized.
1. Notify the PFlow Industries, Inc. Customer Support Department of the problem for authorization.
  2. PFlow Industries, Inc. will determine:
    - The cause of the problem.
    - Who will do the repair work.
    - The repair details involved.
  3. If PFlow Industries, Inc. decides that your organization or your subcontractor will do the work, an authorization number will be assigned which must be referenced on all subsequent paperwork.

**NOTE** *Notify PFlow Industries, Inc. by phone, FAX, or e-mail during the next business day if an event occurs during our non-working hours. Issuance of an authorization number does not guarantee approval and/or payment.*

**Invoices**

1. Submit an invoice for approval within 30 days after the date the work was completed. Payment is made 30 days after the date of approval.
2. A deduction from outstanding payments to PFlow Industries, Inc. for warranty is never authorized.
3. Invoices received without sufficient information will be returned. Invoices will be reconsidered for approval when complete documentation is received. All invoices must include, in detail, the following:

<input type="checkbox"/> PFlow serial number.	<input type="checkbox"/> Labor hours expended resolving the problem.
<input type="checkbox"/> Date the work was performed.	<input type="checkbox"/> Rates per hour.
<input type="checkbox"/> Description of the problem.	<input type="checkbox"/> Copies of receipts for materials purchased.
<input type="checkbox"/> Travel time incurred.	<input type="checkbox"/> Detailed description of work completed.





**Read the Entire Manual**

Important: Carefully read the entire manual upon receipt of the VRC. Improper installation, alteration, adjustment, service, cleaning, or maintenance could result in death, severe injury, or property damage. Instructions and warnings must be read and thoroughly understood by all operators and users. PFlow Industries, Inc. recommends that the owner conduct regular staff training including safety instructions on a regular basis to avoid the risk of accident or damage to the VRC.

Following procedures other than those indicated in this guide to install, use, and maintain the VRC is considered inappropriate and may cause fatal accidents, personal injury, or property damage, in addition to invalidating the warranty.

**Intended Purpose**

The intended purpose of the PFlow Industries, Inc. Vertical Reciprocating Conveyor (VRC) is to provide a safe and simple means of moving materials only, up to the VRCs rated capacity, from one level to another. VRCs are **not** elevators. The VRC is exclusively intended for use in establishments where all operators have been trained to understand the purpose, limitations, and associated hazards of the VRC. Any other use is strictly forbidden.

**Potential Risks and Possible Misuse**

PFlow Industries, Inc. has attempted to protect against as many hazards as possible. The following potential risks should be addressed before the VRC is put into operation:

- Risk of injury caused by falling products.
- Risk of injury caused by product extending beyond the confines of the carriage.
- Risk of injury caused by exceeding the weight capacity of the VRC.
- Hazards occurring at places where the VRC connects to incoming and outgoing conveyors.
- Risk of injury if any safety features are bypassed.
- Risk of injury due to the use of corrosive chemicals or water jet.

**Safety Alert Symbols**

To ensure your safety and the safety of those around you, it is important that you read, observe, and understand ALL safety precautions relative to a particular task. Safety precautions in the manual are labeled with an alert symbol followed by the word **DANGER**, **WARNING**, or **CAUTION**.



This is the safety alert symbol. It is used to alert you to potential physical injury hazards. Obey all safety messages that follow this symbol to avoid possible injury or death.



Indicates a hazardous situation that, if not avoided, will result in death or serious injury.



Indicates a hazardous situation that, if not avoided, could result in death or serious injury.




Indicates a hazardous situation that, if not avoided, could result in minor or moderate injury.

**NOTICE**




Used to address practices not related to physical injury.








 **DANGER**

- Stay within the rated lift capacity.
- Make sure all safety devices are in place and operable before using the equipment. If any safety device is missing or inoperable, immediately remove the equipment from service.
-  High Voltage! A qualified electrician must install all electrical connections and permanent wiring in accordance with applicable local or national electrical codes. Make sure the equipment is properly grounded in accordance with local electrical codes or, in the absence of local codes, with the current edition of the National Electrical Code NFPA No. 70.
- Falling column hazard! Make sure all beams, columns, posts, enclosure panels, and components are properly supported during installation. Illustrations may show the beams, columns, posts, enclosure panels, and components unsupported in order to make the equipment and installation instructions clearly understood.
- Keep clear of unsupported platforms. Stay out of the area under a raised platform. If a maintenance operation requires the carriage to remain in the raised position, refer to Bulletin 15709-0083 for additional information or contact PFlow Industries, Inc. Customer Support Department for assistance.

 **WARNING**

- This equipment can be dangerous if not used properly. Allow only competent adults who have been properly trained and authorized personnel to operate this equipment.
-  Passengers are not permitted. Riding may result in death or serious personal injury.
- This equipment must be maintained to ensure safety. Allow only properly trained personnel to service the equipment. Implement a routine safety inspection plan and follow the recommended preventive maintenance schedule in the owner's manual.
-  Lockout/tagout equipment before performing any adjustments or maintenance. If the equipment is not locked out, it could start unexpectedly and cause injury or damage. **Make sure all personnel are aware of the potential for stored energy to be present even after the power has been locked out.** Refer to ANSI Z244.1 and OSHA 29 CFR 1910.147 for minimum requirements for a lockout/tagout system. There may be additional state or local requirements.
-  Components and accessories may be heavy. To prevent serious injury, use the appropriate lifting apparatus when handling the components and installing the VRC.

### **WARNING**

- If any defects relating to operating safety and reliability are detected or if any damage occurs, the VRC must be taken out of operation immediately.
- Before the VRC is put into operation, all VRC parts must comply with all relevant health and safety directives and regulations.
- Do not switch the main power supply on or start the VRC when persons are in contact with the VRC.
-  Make sure that no persons or objects are within the range of any moving parts of the VRC.
-  Climbing, sitting, walking, or riding on equipment while the equipment is in operation could result in death or serious injury.
- If this VRC needs to be modified in any way, contact PFlow Industries, Inc. for assistance. Do not make any unauthorized changes.
-  **Falling Hazard!** Close all gates before the carriage is moved. Never leave the lift unattended with the gates in the open position. Never close gates when a person is on the carriage or within the fenced area.
- Place the load in the center of the carriage platform to avoid shifting loads. Lock rolling casters in place. Make sure that any portion of the load does not overhang the perimeter of the carriage. Prevent unstable load conditions.
- If the carriage deck does not stop after contact has been made with the limit switch arm, or continues to drift past the floor level, the lift motor brake is not working properly. Discontinue use of the VRC and contact PFlow Industries, Inc. for assistance.
-  Lockout/tagout the VRC before removing jammed product. Be aware that stored energy in the lift components may move or shift when the jam is removed. De-energize any circuit before work is begun.
- Do not overtravel! Stops, mechanical or electrical, must be in place to prevent the carriage from traveling beyond the intended floor level. Overtravel could cause permanent damage to the carriage or failure of the lifting mechanism.
-  **Entanglement hazard!** Secure long hair, wear snug-fitting clothing, and avoid wearing jewelry while using the VRC.



---

 **CAUTION**



- Inform personnel about the location and operation of emergency stops and power disconnection points.
  - During operation, the surfaces of some components may become hot. Avoid touching hot surfaces or wear protective gloves.
  - If any unsafe or unusual conditions are observed, stop the equipment and remove it from service. Report the condition to your supervisor.
-



Electrical Safety Precautions

 **DANGER**



High Voltage! Employees servicing or maintaining VRCs may be exposed to death or serious personal injury if hazardous energy is not properly controlled. De-energize any circuit before work is begun. Follow your facilities procedures or OSHA lockout/tagout (LOTO) procedures anytime maintenance or service is being performed on any electrical box or component.

 **CAUTION**

The incoming voltage source must match the voltage identified on the rating tag. The rating tag provides essential technical information required for any installation, maintenance, or repairs. Do not remove, damage, or modify the rating tag.

De-energize the Circuit

1. Lockout/tagout whenever any work, maintenance, or service is performed on any electrical box or component. Make sure circuits are de-energized before starting work, using a functional, properly rated, and well maintained multimeter or voltage sensing device. Make sure the device is rated for the level of voltage being measured and is sensitive enough for the application.
2. Use fuse pullers to change a fuse; **never** use bare hands, pliers, or screwdrivers.
3. Install covers on exposed electrical devices or wires to protect personnel from serious injury.
4. Ground all metal connection boxes, switch boxes, starting boxes, transformers, motors, limit switches, interlocks, and push-button stations to prevent shock to personnel.
5. When using a portable meter, never leave one lead dangling with the other lead connected. Anyone touching the lead may receive a shock through the meter.
6. Make sure that all is clear following lockout/tagout procedures before applying power to a circuit. This is necessary in order to protect personnel from injury and to prevent damage to the equipment.
7. Avoid accidental contact with equipment or conductors which are known to be energized or are **not** known to be de-energized. If it is necessary to work on equipment while it is energized, use extra care. Always test and repair equipment that appears damaged or delivers an electric shock.

Take time to be careful! Follow all safety precautions to prevent death or personal injury.

**Electrical Safety Precautions**

 **DANGER**



High Voltage! To prevent serious injury, death, or property damage, all electrical connections and permanent wiring must be installed by a licensed electrician in accordance with applicable local or national electrical codes. Arc flash and shock hazard appropriate PPE is required. This equipment must be adequately grounded in accordance with local electrical codes or, in the absence of local codes, with the current edition of the National Electrical Code NFPA No. 70.

**Working on Energized Circuits**

When electrical repair or maintenance work is required that prohibits de-energizing the circuits involved, extreme caution must be used. The work should be completed only by authorized, well trained and supervised personnel who are fully aware of the dangers involved. All practical safety measure must be used to protect the personnel performing the required work. In addition to the NFPA No. 70 codes, the following precautions **must** be taken:

1. Remove all wristwatches, watch chains, rings, necklaces, metal appendages to clothing, oversized metallic belt-buckles, metal piercings, or loose clothing. These items have the potential to make accidental contact with energized surfaces. In addition, secure long hair with a hair net or cover with a plastic helmet.
2. Remove all hair barrettes or bobby pins. These items are electrically conductive and accidental contact may cause serious personal injury.
3. Wear dry clothing and shoes. Moisture should not be present on the soles of shoes. Water is electrically conductive and accidental contact may cause death or serious personal injury.
4. Insulate the worker from the ground. Cover any adjacent grounded metal surfaces with an insulating material. Suitable insulating materials are dry wood, rubber mats, dry canvas, dry phenolic material, or heavy, multi-ply paper (cardboard). Make sure that the insulating material has no holes present and there are no conductive materials (e.g., staples) embedded. Cover a sufficient area with the insulating material to make sure that adequate space is permitted for worker movement.
5. Use insulated tools when working on energized circuits or fuse box. These insulated tools must be rated to withstand the voltage of the energized circuits.

**Notes for the Installation Electrician**

The installation electrician must take the following precautions:

1. Locate and review the electrical schematics furnished with the equipment.
2. Verify the proper fit-up, wiring and operation of all required electrical components.
3. Mount the push button station out of reach of someone located on the carriage (approximately 6' [1,829 m]).
4. Wire standard lift limit switches on the chain tensioning assembly (see the job specific electrical schematic as required) for mechanical VRCs as follows:  
If the tensioner chain becomes slack causing the arm on the limit switch to move down or if a strong tension is exerted on the tensioner chain causing the arm to move up, there is a break in the control power. The limit switches are designated with an LS# on the electrical schematic.



## Safety First

The most common reason to access the area below a raised carriage deck is to clean debris from the pit or hoistway. This is best accomplished using a long handled broom or rake to avoid entry under the raised carriage deck. Entry under the raised carriage deck is acceptable only when unavoidable and then only if the proper precautions are taken. It is the user's responsibility to ensure that the following conditions be met before allowing qualified personnel to enter the area under the raised carriage deck.

- Work must be performed by qualified maintenance technicians.
  - ◇ A qualified person is defined as a person who, by possession of recognized degree or certificate of professional standing or by extensive knowledge, training, and experience, has successfully demonstrated his/her ability to solve problems relating to the subject matter and work.
- The facility has performed a Risk Assessment per ASME B20.1 5.16
  - ◇ Reference OSHA 3071 for Job Hazard Analysis
  - ◇ Reference CEMA Technical Report 2015-01, ASSE Z590.3, and MIL-STD-882 for Risk Assessment examples.
- A proper lockout/tagout (LOTO) procedure has been performed on the VRC.
  - ◇ Refer to ANSI/ASSE Z244.1-2003 (R2014), Control of Hazardous Energy — Lockout/Tagout and Alternative Methods, and OSHA Standard 29 CFR 1910.147, The Control of Hazardous Energy (Lockout/Tagout).
- At least two (2) means of support are used to secure the raised platform.
  - ◇ The lifting systems can be used as one means of support provided that no work is to be done on the hydraulic system or mechanical drive system and an appropriate LOTO has been performed on the VRC.
  - ◇ Additional means of support include adequately sized maintenance chains, maintenance pins, DeckLocks, or straps with shackles around the drivebase that are capable of supporting the weight of the carriage.

## Minimize the Hazards

Every employee must be aware of the hazards before entering the area under a raised carriage. Take appropriate steps to minimize these hazards and any others that are identified. Some of the more common hazards are:

- Inadequate refuge space
- Confined space
- Improper air quality
- Inadequate lighting
- Improper access
- Tripping hazards
- Unsafe or lack of pit ladders
- The presence of moisture/water/oil
- Moving equipment

## General Guidelines

- Where a VRC is operating in a multiple unit hoistway, that portion of the hoistway where the work is to be performed shall be fully separated or accessible equipment locked out.
- Ensure that all portable lights and tools are connected through a Ground Fault Circuit Interrupter (GFCI).
- Provide adequate lighting especially if in a shaftway.
- For a deep pit, never "jump" into the pit – always use a ladder.
- Use proper hand protection while cleaning the area beneath a raised carriage.
- Remove parts, lubricants, cleaning equipment, etc. from inside the pit.
- Do not stand on the hydraulic piping or electrical conduit.
- Never straddle over the traveling cable(s) if so equipped and protect it against damage.



# Entrance Below a Raised Carriage Deck



MATERIAL HANDLING SOLUTIONS

www.pflow.com  
P 414 352 9000  
F 414 352 9002  
6720 N. Teutonia Ave.  
Milwaukee, WI 53209

---

## Pit Access

Access to the area beneath the raised carriage deck can be gained through manual measures implemented by qualified maintenance technicians.

---

## Manual Access

1. Call the carriage to the lower level.
  2. Open the lower gate and bypass the gate open switch at the interlock or in the main control panel. If there is any confusion about how to do this, call PFlow Industries, Inc. Customer Support Department.
  3. Barricade the lower level gate opening to prevent unintended access and provide hazard warning signs.
  4. Verify that the carriage is empty. Raise the carriage to the upper level making sure all personnel are clear of the moving carriage.
  5. Lockout the VRC in accordance with the facility lockout/tagout program.
  6. Secure the carriage at the upper level using adequately sized maintenance chains, maintenance pins, or straps with shackles around the drivebase that are capable of supporting the weight of the carriage to provide additional safety.
- 

## NOTICE

Do not attempt to do any work on the lifting system (e.g., hydraulic system, motor drive). When work is to be done on the hydraulic system or mechanical drive system, a different procedure must be followed. The carriage must be landed on stands or secured by another means in order to prevent any weight from relying on the lifting means or when the hydraulic pressure is fully relieved. Consult PFlow Industries, Inc.

---

7. Return to the lower level and verify that the gate and the carriage does not move if the push-buttons are pressed. Wedge or block the lower level gate in the open position to prevent the gate from closing while someone is in the pit area.
  8. Perform the necessary maintenance, adjustments, or cleaning under the carriage.
  9. Exit the pit and remove the wedge or block holding the lower level gate open.
  10. Reverse the process to return the VRC into service.
-





## Unique Descriptions and Names

PFlow Industries, Inc. has incorporated, as well as created, a number of unique descriptions, names, and terminology for parts, components, and devices included in the Vertical Reciprocating Conveyor (VRC). This glossary includes these unique terms and other common terms to help understand this manual and the information it contains. In addition, the glossary will aid the user in communicating the correct information during troubleshooting and service situations. Although the wording and descriptions may sound familiar to the person who has read the manual, other terms and descriptions might not. It is recommended by PFlow Industries, Inc. that this glossary be reviewed before reading the remainder of this manual.

<b>Alkyd paint</b>	A fast-drying enamel paint, color-mixed per the customer's request, and applied using standard methods as specified by the paint manufacturer.
<b>ANSI</b>	American National Standards Institute: <a href="http://www.ansi.org">www.ansi.org</a>
<b>ASME</b>	American Society of Mechanical Engineers: <a href="http://www.asme.org">www.asme.org</a>
<b>Authorized person</b>	Trained or qualified personnel approved to perform a specific duty or duties.
<b>Back-frame</b>	The vertical portions of the carriage on a cantilever VRC, typically a series D vertical support mast.
<b>Backstop panel</b>	Also known as a Mezzanine roll-off panel, this is a panel that is installed opposite the loading edge at upper loading levels of a VRC platform that does not penetrate a floor. The backstop panel helps protect personnel and/or products from falling off the platform when loading or unloading. This term should not be confused with the term "backstop" as defined in ASME B20.1.
<b>Backstop</b>	As defined by ASME B20.1; A mechanical device to prevent reversal of a loaded conveyor under action of gravity when forward travel is interrupted.
<b>BVAC</b>	A bi-panel vertical acting gate.
<b>Cantilever</b>	A style of VRC where the carriage rides along the guide columns that are located on the same side of the carriage. This style lift can accommodate loading on three sides; right, front, and left.
<b>Capacity</b>	The maximum load for which the VRC is designed.
<b>Carriage</b>	The entire structural assembly that travels on the guide columns and carries the load.
<b>Carriage gate</b>	A gate that is mounted directly on the carriage deck.
<b>CEMA</b>	Conveyor Equipment Manufacturers Association: <a href="http://www.cemanet.org">www.cemanet.org</a>
<b>Chain</b>	See Drive chain, Lift chain and Roller chain.




---

<b>Chain Driven Live Roller (CDLR)</b>	A horizontal conveyor that is driven by separate loops of chain or a continuous chain. The chain contacts all roller sprockets, depending on the type and function of the horizontal conveyor. Either double or single sprockets are fitted to the horizontal conveyor rollers.
<b>Chain Guide Tube</b>	A tube welded to the back side of the VRC column that encloses the lift chain and tensioner chain.
<b>Chain tensioner</b>	A device that monitors the lift chain tension. If the lift chain is too tight, becomes slack, or breaks, the limit switch mounted on the chain tensioner will trip and remove control power.
<b>Columns</b>	The vertical structural members in which the wheelblocks attached to the carriage travel up and/or down.
<b>Column splice</b>	Columns shipped in more than one piece must be joined in the field during installation. Field assembly and welding is required.
<b>Constant Pressure Push Button</b>	A push button which must remain pressed and maintained by the operator in order to perform a desired operation. If the push button is released, the desired operation will stop.
<b>Controls</b>	Any combination of electrical devices used to control the operation of a VRC. This normally includes push buttons, relays, limit switches, interlocks, etc.
<b>Control Panel</b>	An enclosure housing various electrical components that control the VRC.
<b>Control voltage</b>	The control voltage is typically provided by the control transformer and is used to energize the various low voltage electrical devices.
<b>Conveyor, Vertical Reciprocating</b>	See Vertical Reciprocating Conveyor (VRC).
<b>Dead load</b>	A static load that is a permanent force, acting on a structure (see Platform).
<b>Deck</b>	The floor of the carriage (can be smooth plate, tread plate, or open).
<b>DeckLock System</b>	An added measure of safety to prevent uncontrolled descent of the carriage.
<b>Diagonal drop bar</b>	Load-defining bar and snap chain across operating end(s) of the carriage to define the load area on the platform which may minimize load movement. The diagonal drop bar is hinged at the base and swings down. This is not a load stop.
<b>Direct acting cylinder</b>	The cylinder which transmits lifting force directly to the carriage rather than through the use of cables, pulley, or chains.
<b>Drivebase assembly</b>	Gear reducer, brake motor and mechanical components that power the chain that lifts and lowers the carriage for mechanical VRCs. This assembly is typically mounted at the top of the lift guide columns.

---




---

<b>Drive chain</b>	Drive chains on the F series mechanical VRC, through a series of a shaft and sprockets allow the carriage to be raised and lowered.
<b>Drift</b>	The action of a lift carriage slowly dropping, usually due to slight internal leaks in a hydraulic system or mechanical slippage of a motor brake.
<b>EBVAC</b>	An electrically powered bi-panel vertical acting gate.
<b>Effective width/length</b>	Refers to usable space for the materials load on the carriage, not the overall dimensions which includes space allowed for carriage side guards and snap chains.
<b>Electrical cable</b>	Electrical cables consist of at least two conductors contained within a protective outer cover.
<b>Enclosure (lift guarding)</b>	Structure surrounding a VRC to prevent outside interference with its normal operation and to safeguard personnel. Typically 8' (2438mm) high panels composed of expanded metal or other materials that will prevent a 2" (51mm) diameter ball from passing through (ASME B20.1 requirement).
<b>Epoxy coating</b>	Abrasion-resistant, two-part industrial-strength protective coating system applied over sandblasted and primed steel or direct to metal. The epoxy coating is ideal for outdoor, chemical, or caustic wash-down environments or applications where standard alkyd enamel is viewed as insufficient.
<b>EVAC</b>	An electrically powered single panel vertical acting gate.
<b>Expanded metal (EM)</b>	A sheet of metal uniformly slit and stretched, forming diamond-shaped openings in the metal sheet. Expanded metal is a one piece construction that will not unravel under normal circumstances and will hold its shape. Expanded metal comes in a standard (raised) or flattened diamond pattern in a variety of gauges, opening sizes, materials and sheet sizes.
<b>Explosion proof (EXP)</b>	Electrical devices (e.g., control panels, motors, limit switches) that are designed to operate safely in a specific location or area where potentially explosive environments can or do exist.
<b>Floor-to-Floor distance</b>	The distance from one operating floor level to the adjacent operating floor level (see Vertical travel).
<b>Full Height Enclosures (FHE)</b>	Structure surrounding the full height of a VRC to prevent outside interference with its normal operation and to safeguard personnel. Typically panels composed of expanded metal or other materials that will prevent a 2" (51mm) diameter ball from passing through (ASME B20.1 requirement).
<b>Gate</b>	A device that opens and closes manually or automatically to allow access to the carriage for loading and unloading. The gate is normally a swing, sliding, or vertical acting device constructed of similar expanded metal as the enclosure (see specific gate type).

---



<b>General Arrangement (GA) drawing</b>	The drawing produced by PFlow Industries, Inc. which shows the VRC lift, gates, and enclosures. The drawing may show but does not specify building details.
<b>Guarded by location</b>	Describes moving parts so protected by the parts remoteness from the floor, platform, walkway, or other working level, or by the parts location with reference to the frame, foundation, or structure to reduce the foreseeable risk of accidental contact by persons or objects. The parts remoteness from foreseeable, regular, or frequent presence of public or employed personnel may constitute guarding by location in reasonable circumstances. (See ASME B20.1 standard)
<b>Guide angles</b>	Guide angles are attached to the guide column to help capture and contain the guide wheels in the columns and guide the carriage.
<b>Guide column</b>	The structural members connected to the carriage that guide the carriage travel up and down.
<b>Header</b>	Header refers to the horizontal structure spanning the width of the carriage or gate. The carriage header defines the load height on straddle units.
<b>HMI (Human Machine Interface)</b>	The user interface in the control system that provides graphic control of the VRC. The HMI communicates with the programmable logic controller (PLC).
<b>Hollow shaft</b>	VRC mechanical shaft of the mechanical drivebase which penetrates the gear motor rather than coupling to the gear motor. This minimizes wear points.
<b>Hydraulic cylinder</b>	A device which converts fluid power into linear force and motion. The hydraulic cylinder usually consists of a movable element such as a piston and piston rod, plunger or ram, operating within a cylindrical bore.
<b>Hydraulic power unit</b>	Refers to motor, pump, and reservoir assembly. The reservoir is shipped with oil. Most hydraulic power units come with the control panel attached and pre-wired to the hydraulic pump.
<b>Incoming voltage</b>	The main voltage being supplied for operation of the equipment.
<b>Interlock (Gate/Door)</b>	An electro-mechanical locking system used on the gates or access doors of a VRC. The system prevents the VRC operation unless all such gates or access doors are closed. The system also prevents the opening of any such gate or access door unless the VRC carriage is present at that particular landing or opening.
<b>Intermediate level</b>	A floor level or levels between the uppermost and bottommost operating floor.
<b>Junction box</b>	An electrical control box used to join, centralize, and distribute wiring from different locations.
<b>Keylock control</b>	A keyed push button station that prevents unauthorized use of the VRC.
<b>Kick plate</b>	A curb on the outermost edge of the inoperable sides of the carriage deck which is designed to contain product and is a minimum of 4" (102mm) high.
<b>Knock-down (KD)</b>	Lift components shipped in two or more pieces. Typically field welding is required (e.g., KD carriage, KD headers, KD uprights, KD gates, etc.).




---

<b>Landing</b>	A permanent-working surface at a fixed elevation used for loading or unloading the carriage.
<b>Lift chain</b>	A chain that lifts the carriage and load.
<b>Lift location light</b>	Illuminated push button that indicates at which level the carriage is located.
<b>Lifted load</b>	The total weight that the VRC is designed to lift at a specific speed. Typically, this is the dead load plus live load (see Rated load).
<b>Limit switch</b>	An electrical device which is used to control the carriage position and monitor various mechanical devices.
<b>Load pattern</b>	<p>A method to describe the direction a load can be moved on and off a carriage at different operating floors or levels. These can be used in combinations.</p> <ul style="list-style-type: none"> <li>● <b>“C” load pattern:</b> Carriage configuration allowing a load/unload opening on one side of the carriage deck.</li> <li>● <b>“Z” load pattern:</b> Carriage configuration allowing a load/unload opening on opposite sides of carriage deck.</li> <li>● <b>“90 degree” load pattern:</b> Carriage configuration allowing a load/unload openings at right angles on the carriage deck.</li> </ul>
<b>Load test</b>	The carriage is loaded to rated capacity, and the lift is operated.
<b>Macropoxy</b>	Macropoxy is a fast drying, polyamide epoxy designed to protect steel in industrial exposures. Ideal for protection of sharp edges, corners, and welds.
<b>Mechanical stop</b>	A mechanical means of stopping travel at a fixed position.
<b>Momentary contact push button</b>	A push button which only has to be pressed for an instant to activate the desired operation.
<b>Non-operating end</b>	The side(s) of a carriage not used for loading/unloading. Handrails or expanded metal sides and kick plate are normally supplied as minimum guarding.
<b>Operating end</b>	The side(s) of the carriage used for loading/unloading. At a minimum the side(s) are normally equipped with a safety chain as guarding.
<b>Overall dimension</b>	The outside dimension of the carriage structure or the entire lift.
<b>Overtravel limit switch</b>	A safety device provided on mechanical VRCs to stop carriage travel beyond the uppermost or lowermost floor level if the floor level positioning limit switch fails.
<b>Photo eye</b>	Photoelectric sensor that uses a focused beam of light to span the distance to a reflector. The VRC controls receive a signal when the reflected beam of light is detected by a sensor.
<b>Pit</b>	A depression in the floor a minimum of 1" (25mm) deeper than the carriage profile, which allows the carriage deck to be flush at operating floor or level.
<b>Platform</b>	The structure that forms the floor of the carriage and that directly supports the load (see Deck).
<b>Pneumatic gate operator</b>	A device that requires in-plant, clean and dry air to automatically open and close a gate. The device can be operated by either manually through the use of pull cords or push buttons, or automatically through the use of a PLC.

---



---

<b>Pressure switch (hydraulic)</b>	A sensor which detects hydraulic pressure. The sensor can be set to trip at a predetermined pressure. When this pressure setting is reached, the pressure switch will activate, opening the control circuit and stopping the pump motor.
<b>Programmable Logic Controller (PLC)</b>	A micro-processor based device that controls the VRC or Cartveyor™ through a resident software program.
<b>Push-button (PB) station</b>	The wall mounted, pedestal mounted, or hand held device used to control the operation of the VRC.
<b>Qualified person</b>	A person, who by possession of a recognized degree, certificate, professional standing, or skill, and who by knowledge, training and experience, has demonstrated the ability to deal with problems relating to the subject matter, the work, or the project.
<b>Ramp</b>	An access ramp used to load on and off of a carriage deck.
<b>Rated load</b>	The load the VRC is designed for and installed to lift at a rated speed (see Lifted load).
<b>Reflector</b>	A plastic, prismatic object used to reflect a beam of light emitted from a photoelectric sensor.
<b>Roll-off panel</b>	See Back-stop panel.
<b>Roller chain</b>	The type of chain drive most commonly used for transmission of mechanical power. The roller chain consists of a series of short cylindrical rollers held together by side links and connecting pins. The roller chain is driven by a toothed wheel called a sprocket.
<b>Safety cam</b>	Spring-loaded, hardened steel cam directly attached to the lift chain or gate chain that engages if the lift chain or gate chain breaks or slackens, preventing the carriage or gate panel from dropping more than a few inches.
<b>Side guards</b>	A protective enclosure on the outermost edge of the inoperable sides of the deck welded to the carriage to contain load. Can be rails, sheet steel, or expanded metal.
<b>Slack chain device</b>	A device that monitors a chain and trips if the chain goes slack. If the chain becomes slack or breaks, the limit switch mounted on the slack chain device will trip and remove power to the circuit.

---






---

<b>Spliced guide column</b>	Guide column that is fabricated and delivered in two or more sections necessitated by manufacturing, handling, or installation constraints.
<b>Sprocket</b>	A wheel typically mounted on a shaft. The wheel has a row of teeth around its edge that fit into the links of a chain.
<b>Straddle</b>	A style of VRC where the carriage rides between two guide columns that are located on opposite sides of the carriage. This style of lift will accommodate “C” and “Z” type loading patterns.
<b>Top of roller (TOR)</b>	Top elevation of a horizontal conveyor system roller which is also the lower elevation of the load.
<b>Touchscreen</b>	See HMI.
<b>Transom</b>	A panel or panels used to close an enclosure opening above the VRC entrance.
<b>Travel</b>	The difference in elevation between the bottommost level of the carriage platform and the uppermost level of the carriage platform, regardless of whether the carriage is pit or floor mounted.
<b>UHMW (Ultra-High Molecular Weight)</b>	An abrasion-resistant, high-impact, polyethylene material used throughout the VRC to protect and/or guide moving parts.
<b>Uprights</b>	The portion of the carriage that houses the wheels that guide the carriage between the columns.
<b>VAC</b>	A single panel vertical acting gate.
<b>VFD (Variable-Frequency Drive)</b>	A VFD is a type of drive used in electro-mechanical drive systems to control AC motor speed and torque by varying the motor frequency and voltage.
<b>Velocity fuse</b>	A device that senses hydraulic flow across a control orifice when the pressure differential exceeds a predetermined amount. A spring-biased poppet closes, shutting flow to the damaged hydraulic circuit and prevents the lift carriage from descending.
<b>Vertical travel</b>	Distance the carriage deck travels; floor-to-floor or total distance (see Travel).
<b>Vertical Reciprocating Conveyor (VRC)</b>	A reciprocating power actuated lifting device (not designed to carry passengers or an operator) that receives loads on a carriage and transports these objects from one operating elevation to another.
<b>VRC specification sheet</b>	PFlow Industries, Inc. informational data sheet providing general information on a specific VRC.
<b>Wheelblock assembly</b>	Sub-assembly fastened to the carriage upright that contains the guide roller elements and safety cam for the chain driven VRC lift. The lift chain is typically attached to the wheelblock assembly safety cam.

---



---

**Gate Types:**

**Single swing gate**

This type of gate hinges on one side and latches on the other, may be either right or left-hand swing. Clear space is required in front of the VRC for the gate to swing open.

---

**Bi-parting swing gate**

The bi-parting, swing gate has hinges on each side and latches in the center. Clear space is required in front of the VRC for the gates to swing open.

---

**Single panel vertical acting gate (VAC)**

The VAC gate panel closes to the floor and opens in the upward direction.

---

**Double panel vertical acting gate (BVAC)**

The BVAC gate is the same as the single panel VAC above in operation and use except the two (2) panels telescope from a nested position.

---

**Horizontal sliding gate**

The horizontal sliding gate operates in the same manner as a vertical acting gate except the gate functions in the horizontal direction.

---

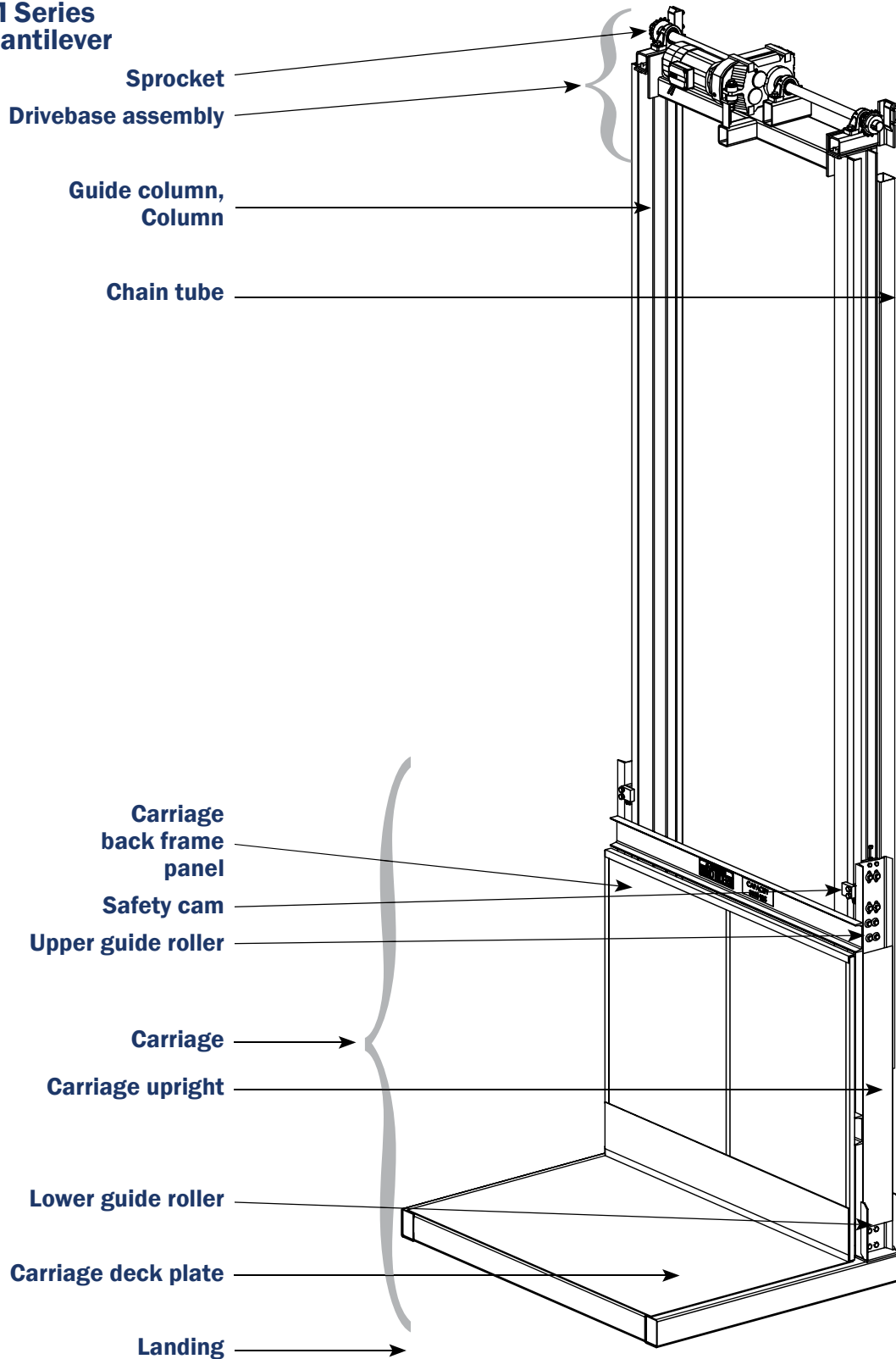
**Roll-up door**

The roll-up door can be anything from an industrial type roll-up steel door to self-storage facility type door.

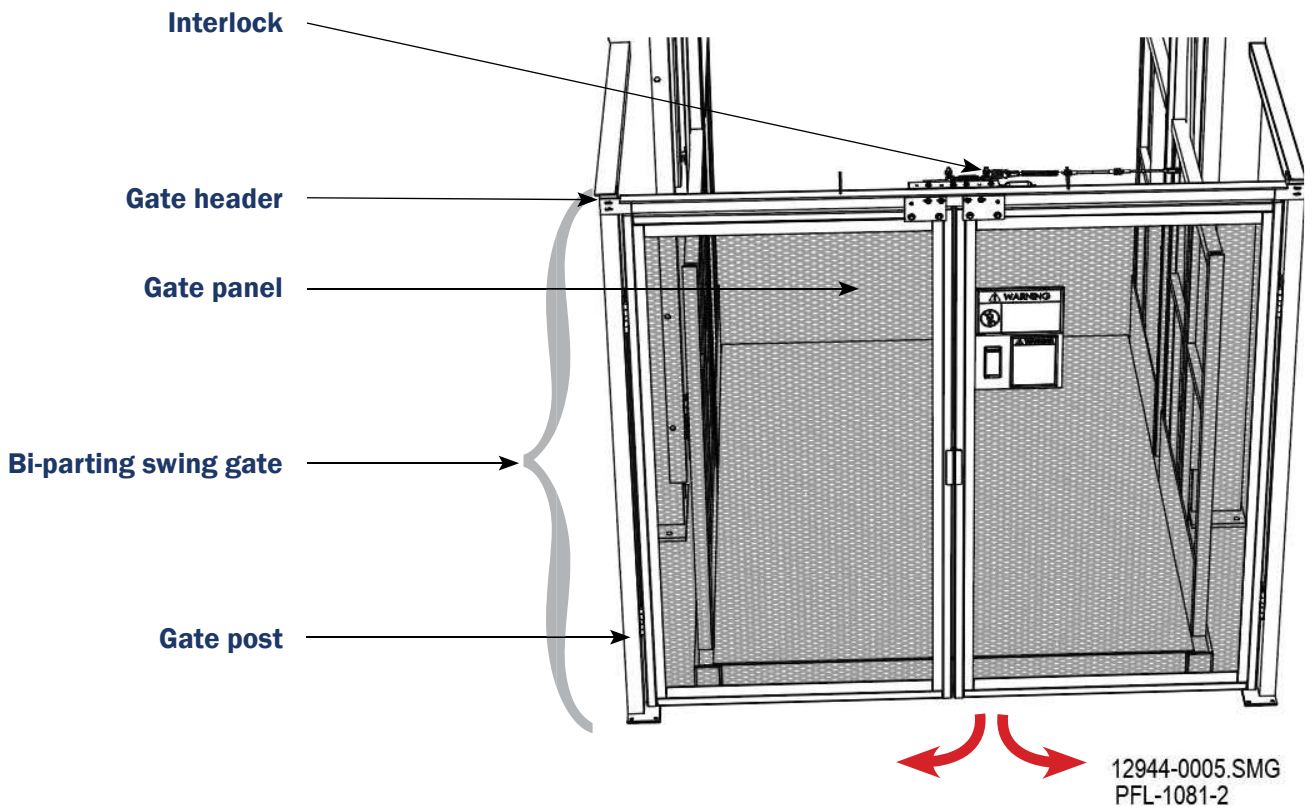
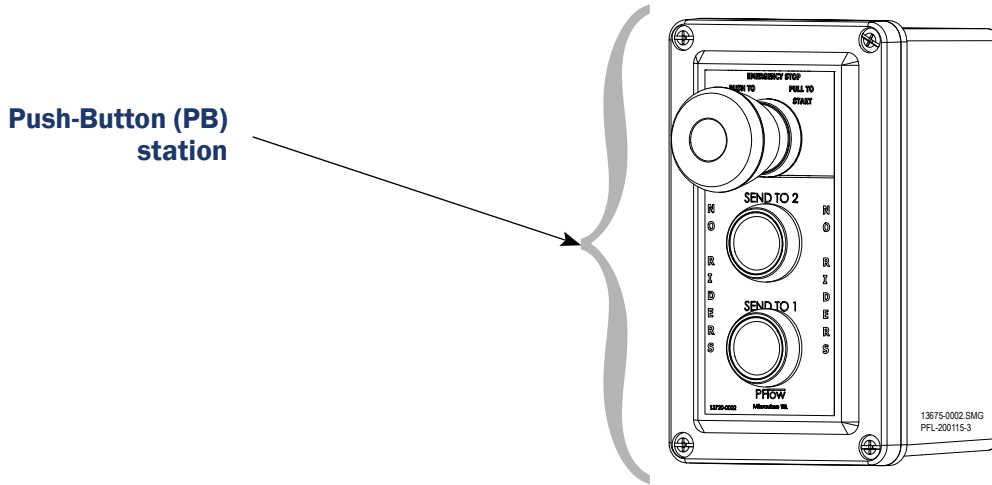
---



**M Series  
Cantilever**



PFL-200520-1





### Arrival

A fork truck capable of lifting approximately 2,000 lbs. (907 kg) is required. Larger sections may require a heavier lifting capacity fork truck or crane. Refer to the shipping weights for the equipment required for your job. Prior to shipping, PFlow Industries, Inc. takes pictures of all the items shipped, contents of the parts crate, and individual boxes to make sure the shipment is complete.

---

**NOTICE** The material in the boxes, cartons, etc. are delivered to the carrier agent complete and in good condition. Report shipping damage or discrepancies immediately to the PFlow Industries, Inc. Customer Support Department. *PFlow Industries, Inc. is not responsible for damage due to shipping or receiving once the equipment has left the factory nor will PFlow Industries, Inc. file any claims for damage that may occur.*

---

### Inspection

Upon receipt, conduct an immediate inspection while the equipment is still on the truck or immediately after it is moved to the receiving area. Do not wait until after the equipment is moved to a storage area.

Verify that the number of items on the Bill of Lading agrees with the number of items delivered. Examine all pieces to determine if damage has occurred during transit. Do not sign a delivery receipt or a freight bill until a proper count has been made and inspection of all packages are complete. Should damage occur in shipment, it is a matter between the carrier and the consignee. In such cases, the carrier is assumed to be responsible for the safe delivery of the equipment, unless negligence can be established on the part of the shipper.

Verify the dimensions of the delivered materials against the PFlow Industries, Inc. General Arrangement (GA) drawing. If anything is missing or incorrect, contact the PFlow Industries, Inc. Customer Support Department immediately. Failure to notify the PFlow Industries, Inc. Customer Support Department may affect the completion time of the installation. The warranty does not cover lost time and/or additional trips for missing or damaged components.

### Transportation Damage and Claims

1. Note all visible loss or damage that has occurred directly on the carrier's delivery receipt.
  2. Have the driver sign the delivery receipt. If the driver refuses to sign, make a notation of this refusal on the receipt.
  3. If the driver refuses to allow inspection, write the following on the delivery receipt: **"Driver refuses to allow inspection of containers for visible damage."** Have the driver sign the delivery receipt.
  4. Contact the carrier's office immediately upon finding damage and request an inspection. Mail a written confirmation to the carrier's office with the time, date, and the person called.
  5. Save any packages and packing material for further inspection by the carrier.
  6. Promptly file a written claim with the carrier and attach copies of all supporting paperwork. Report all hidden damage directly to the freight carrier within seven days of delivery.
-

# Section 6 | Equipment Arrival and Unpacking



MATERIAL HANDLING SOLUTIONS

www.pflow.com  
P 414 352 9000  
F 414 352 9002  
6720 N. Teutonia Ave.  
Milwaukee, WI 53209

## Shipping Photograph Examples



Parts Crate



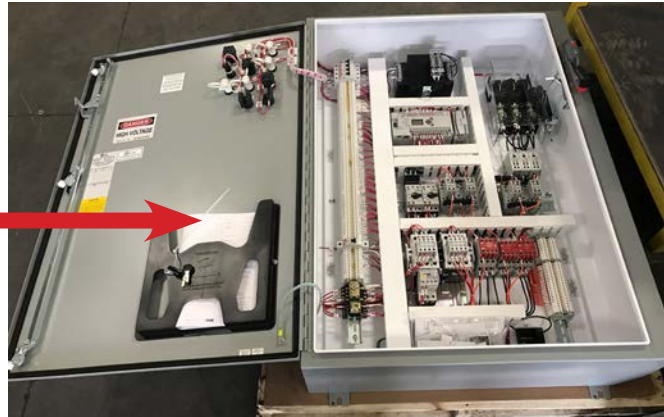
Parts Crate Contents





### Shipping Photograph Examples

Schematic



### Shipping Packet

The shipping packet contains the Owner's Manual, installation instructions, General Arrangement drawing, electrical schematic, and additional information applicable to the installation.

An additional copy of the schematic is inside the control panel.

### Unpack the Equipment

- Save all packing materials for inspection by the carrier.
- Cut and remove the restraining straps.
- Remove the protective shrink wrap and cardboard material.
- Remove all wooden retaining blocks and crating.
- Remove the materials from the pallet.
- Dispose of the packing material in an environmentally responsible manner.

### Return Materials Authorization (RMA)

All replacement components needed as a result of any damage will require a purchase order, authorization number, and compliance with PFlow Industries, Inc. Return Materials Authorization (RMA) procedures. The RMA number shall be obtained from PFlow Industries, Inc. Customer Support Department. The RMA number helps to identify and track the component when returned to PFlow Industries, Inc.

### Warranty Work

Warranty procedures are included in this manual. All warranty work must be pre-authorized by the PFlow Industries, Inc. Customer Support Department prior to starting work.

1. Notify the PFlow Industries, Inc. Customer Support Department of the problem for authorization.
2. PFlow Industries, Inc. will determine:
  - The cause of the problem.
  - Who will do the repair work.
  - The repair details involved.
3. If PFlow Industries, Inc. decides that your organization or your subcontractor will do the work, an authorization number will be assigned which must be referenced on all subsequent paperwork.

**NOTE** Notify PFlow Industries, Inc. by phone, FAX, or e-mail during the next business day if an event occurs during our non-working hours. Issuance of an authorization number does not guarantee approval and or payment.



**Recommended Tools**

The following is a list of recommended tools necessary to expertly install the equipment to industry standards. This is only a guideline. Individual sites and applications may require additional items.

	Welding Machine and Equipment (Helmet, Gloves, Rods)		Socket Set: 1/2" Drive Sockets Sizes to 1-1/4"
	Lifting Cables, Straps, Slings or Chains with the required load capacity rating		Hammer Drill & Bits: (1/4", 3/8", 1/2" Anchors; 4" Length Minimum)
	Chain Fall with the required load capacity rating		Open or Box End Wrenches to 1-5/16"
	Scissor Lift (optional but helpful)		Electric Drill and Drill Bits
	Fork Lift with the required load capacity rating		Hex Keys to 3/8"
	Step Ladder(s)		Set of Taps and Dies up to 1" NC
	Come-Along Tool		Sledge Hammer
	Disk Grinder		Hacksaw, Reciprocating Saw, or Portable Bandsaw
	"C" Clamps		Extension Cords
	Drift Punch		Chalk Snap-Line
	Carpenter's Framing Square		Plumb Bobs
	Level: 4' (1,22 m) Long		25' (7,62 m) Measuring Tape
	Vacuum		Rags
	String		Fire Extinguisher
	Pry bar		Portable Light



### Before You Begin

*Read this entire manual.*

### Pre-Installation Responsibilities

Proper preparation of the job site before beginning the installation can mean the difference between an installation that is safe and smooth and an installation that is difficult. Being aware of who is responsible for the listed activities will make sure the installation is a smooth process.

PFlow Industries, Inc. recommends that an installer with knowledge and experience on how to rig and erect structural steel discuss not only these items but all other concerns directly with the people on the job site.

A pre-installation job site visit is always recommended and considered to be included in the responsibilities of the mechanical installer.

### End User Responsibilities

1. Assign the authorized on-site contact.
2. Provide the contact information for the authorized on-site contact.
3. Determine the work hours allowed to work on-site.
4. Arrange for other trades or in-plant production to avoid conflict with the proposed installation schedule or between trades.
5. Determine the work procedures and safety guidelines particular to the job site.
6. Communicate on-site safety meetings prior to beginning the installation.

### End User and/or Mechanical Installer and/or Electrical Installer Responsibilities

1. Secure any required job site, local, or state permits before beginning the installation.
2. Determine if a local inspection and sign-off is required after the installation has been completed.
3. Unload and transport the equipment to the installation area.
4. Determine storage options (if applicable). Storing the equipment outside will void the warranty. If the equipment is stored indoors for a month or longer, consult PFlow Industries, Inc. for maintenance procedures required to keep the warranty in effect.
5. Prepare all necessary job site areas (e.g., pit, floor opening, adequate bracing locations, shaftway openings, doorways) for the installation.
6. Coordinate any job site or building modifications necessary to get the equipment to the installation area.
7. Determine if the weight and the size of the components exceed the lift requirements to handle and lift the heaviest load. If the weight of the load is in question, please contact the PFlow Industries, Inc. Customer Support Department.
8. Locate the pick-point capable of lifting and handling the necessary components.
9. Determine approved bracing locations and attachment points on the job site. Make sure that the bracing attachment points will withstand the static lateral load for bracing the lift. Details are called out on the GA drawing.
10. Make sure that the floor under the columns will withstand the base plate loading stated on the VSP spec sheet.



**Mechanical Installer  
Responsibilities**

1. Conduct a pre-installation job site visit.
2. Review the General Arrangement (GA) drawing for any discrepancies between the GA drawing and the job site.
3. Compare the dimensions listed on the GA drawing to the dimensions on the actual job site.

**NOTE**

---

*Discrepancies in the pit length, pit width, pit depth, overhead clearances, and a pit that is not square or level are just a few items that could create a problem. These discrepancies must be addressed immediately with PFlow Industries, Inc.*

---

4. Report any discrepancies to the PFlow Industries, Inc. Customer Support Department.
5. Determine if additional bracing material is required.
6. Complete mechanical erection of the equipment as sold by PFlow Industries, Inc. and called out on the GA drawing, and follow all instructions in the installation manual and safe work procedures.
7. Mount all electrical devices at non-union job sites.
8. Return trip upon completion of the electrical installation and be present for the final checkout, adjustments, and training. Complete and return the Installation Completion Checklist to PFlow Industries, Inc. Customer Support Department at [csd@pflow.com](mailto:csd@pflow.com)

**Electrical Installer  
Responsibilities**

1. Review the General Arrangement (GA) drawing for any discrepancies between the GA drawing and the job site.
2. Report any discrepancies to the PFlow Industries, Inc. Customer Support Department.
3. Complete electrical connection of the equipment as sold by PFlow Industries, Inc. and shown on the electrical drawings and GA drawing.
4. Follow all instructions in the installation manual and safe work procedures.
5. Be present for the final checkout, adjustments, and training. Complete and return the Installation Completion Checklist to PFlow Industries, Inc. Customer Support Department at [csd@pflow.com](mailto:csd@pflow.com)





**Before You Begin**

*Read this entire manual.*

**General Arrangement (GA) Drawing**

Job site conditions may be different than those listed on the GA drawing. This drawing includes configuration and dimensional data specific to the job site:

- Job number
- Equipment dimensions
- Clearance dimensions
- Static lateral load
- Applicable options

The VRC can only be used according to the specifications given in this manual and the General Arrangement (GA) drawing. If the VRC is to be used outside the original design, contact the PFlow Industries, Inc. Customer Support Department to determine if the intended use is possible.



**WARNING**

*Inappropriate and/or modified use of the VRC can result in dangerous safety issues and/or damage. If this VRC needs to be modified in any way, contact PFlow Industries, Inc. for assistance. Do not make any unauthorized changes.*

Obtain written confirmation from PFlow Industries, Inc. before using the VRC in a modified or unspecified manner. PFlow Industries, Inc., cannot be held liable for any accidents and/or damages that may occur through inappropriate or unauthorized use of the VRC.

1. Locate the PFlow Industries, Inc. GA drawing in the shipping packet inside the parts crate.
2. Review the GA drawing for any discrepancies.
3. Compare the dimensions listed on the GA drawing to the dimensions of the actual job site and the materials received.

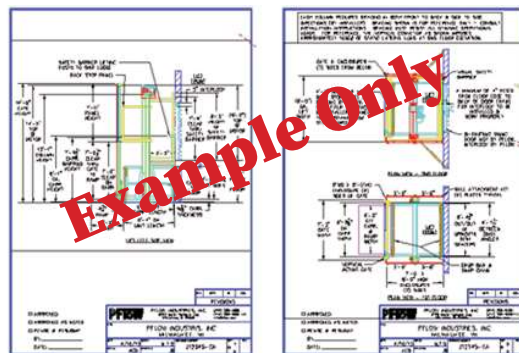
**NOTE** *Discrepancies in the pit length, pit width, pit depth, overhead clearances, and a pit that is not square are just a few items that could create a problem. These discrepancies must be addressed immediately with PFlow Industries, Inc.*

4. Report any discrepancies to the PFlow Industries, Inc. Customer Support Department.

Contact the PFlow Industries, Inc. Customer Support Department with any questions or concerns at any time throughout the installation of this equipment.

**Sample GA Drawing**

*The sample drawing shown is only an example and is not applicable to this VRC.*



# Section 8 | Job Site vs General Arrangement Drawing



**MATERIAL HANDLING SOLUTIONS**

[www.pflow.com](http://www.pflow.com)  
P 414 352 9000  
F 414 352 9002  
6720 N. Teutonia Ave.  
Milwaukee, WI 53209





**Frequently Asked Questions**

Proper preparation of the job site before beginning the installation can mean the difference between an installation that is smooth and an installation that is difficult. PFlow Industries, Inc. has prepared a list of site specific questions to investigate:

1. Is 3-phase power available for the installation work?
2. Is welding permitted?
3. Is a “hot permit” required?
4. Is a fire watch required? Are there special welding requirements (e.g., special coatings such as epoxy paint, or hot dipped galvanized steel)?
5. Are there any protrusions or rough spots in the floor level or wall space that could interfere with the installation or the operation?
6. Are the floors level?
7. Can the equipment pass through all openings, doorways, hallways, and shaftway openings?
8. Is there other non-PFlow Industries, Inc. equipment to be integrated with the PFlow Industries, Inc. VRC components?
9. Is a job specific bracing drawing required?
10. Is the work site union or non-union?
11. Is the customer’s forklift available for use?
12. Do the weight and size of the Vertical Reciprocating Conveyor (VRC) components exceed the capability of the on-site equipment to handle and lift the VRC components? If the weight of the load is in question, contact the PFlow Industries, Inc. Customer Support Department.
13. Is there a pick-point capable of lifting the necessary lift components?

Contact the PFlow Industries, Inc. Customer Support Department with any questions or concerns at any time throughout the installation of this equipment.

## Section 9 | Frequently Asked Questions



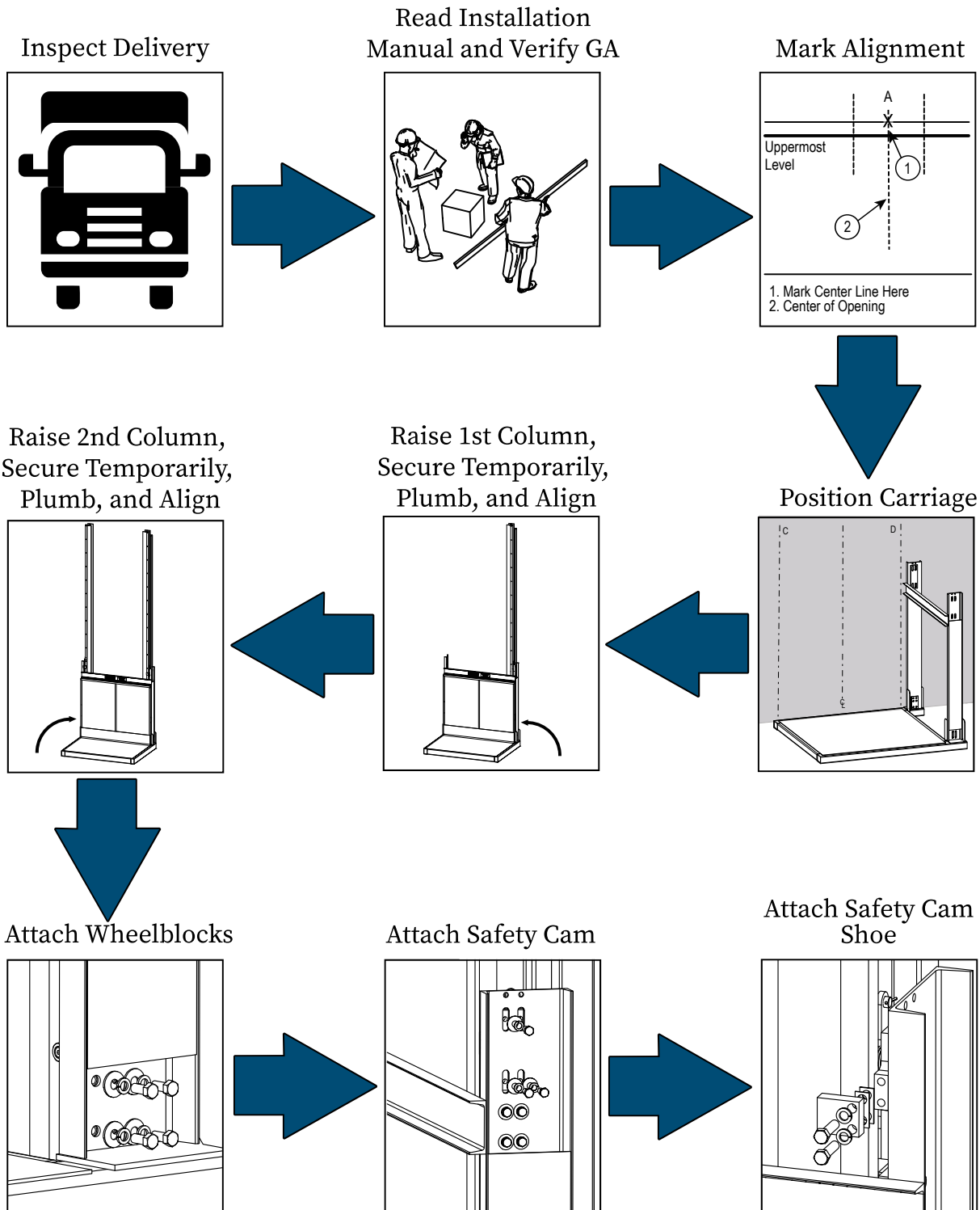
**MATERIAL HANDLING SOLUTIONS**

[www.pflow.com](http://www.pflow.com)  
P 414 352 9000  
F 414 352 9002  
6720 N. Teutonia Ave.  
Milwaukee, WI 53209



**Sequence of Installation**

The next few pages are only an example of the sequence of installation for an open mezzanine application. Refer to the detailed instructions for each sequence included in the installation manual.

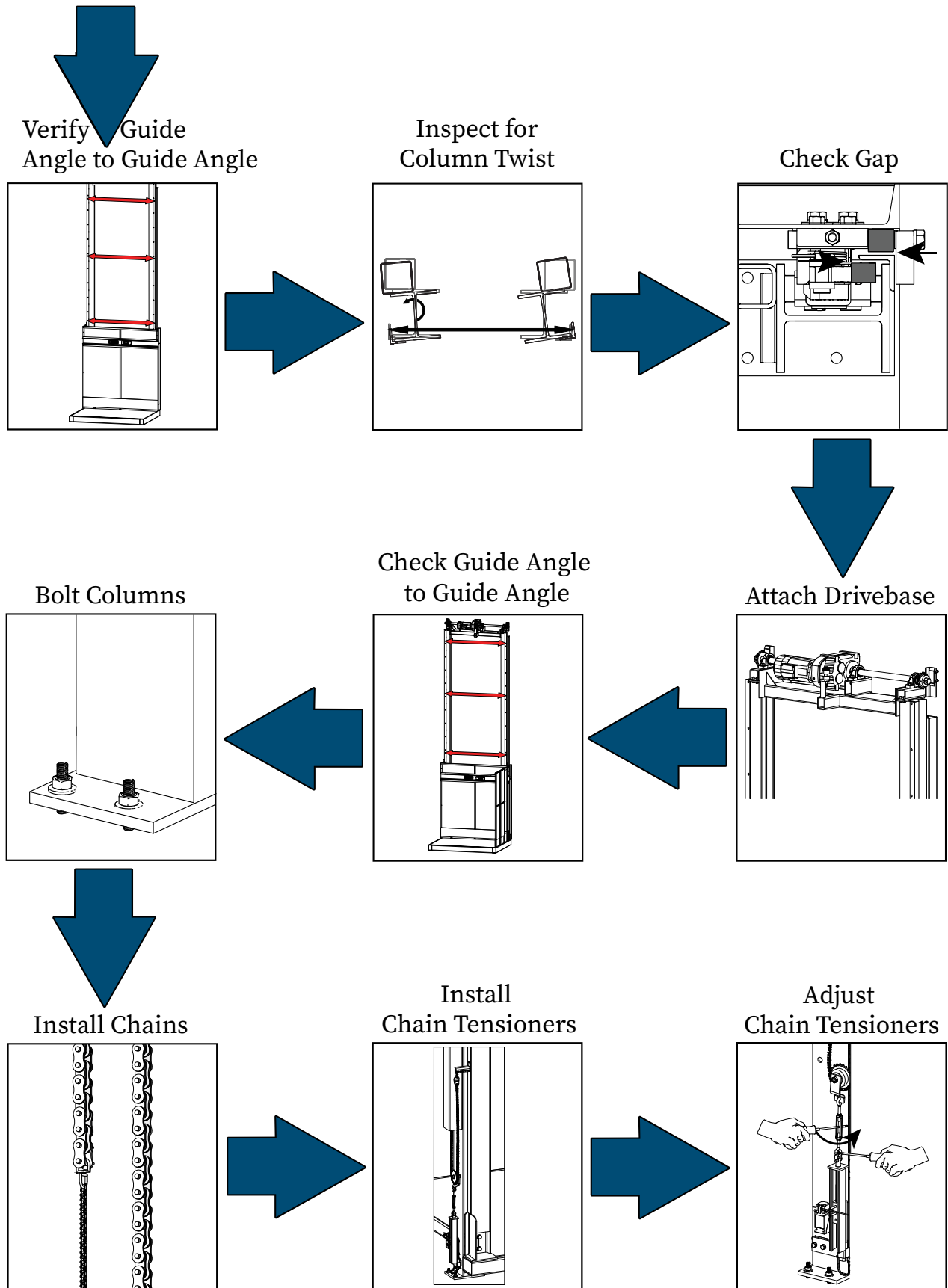


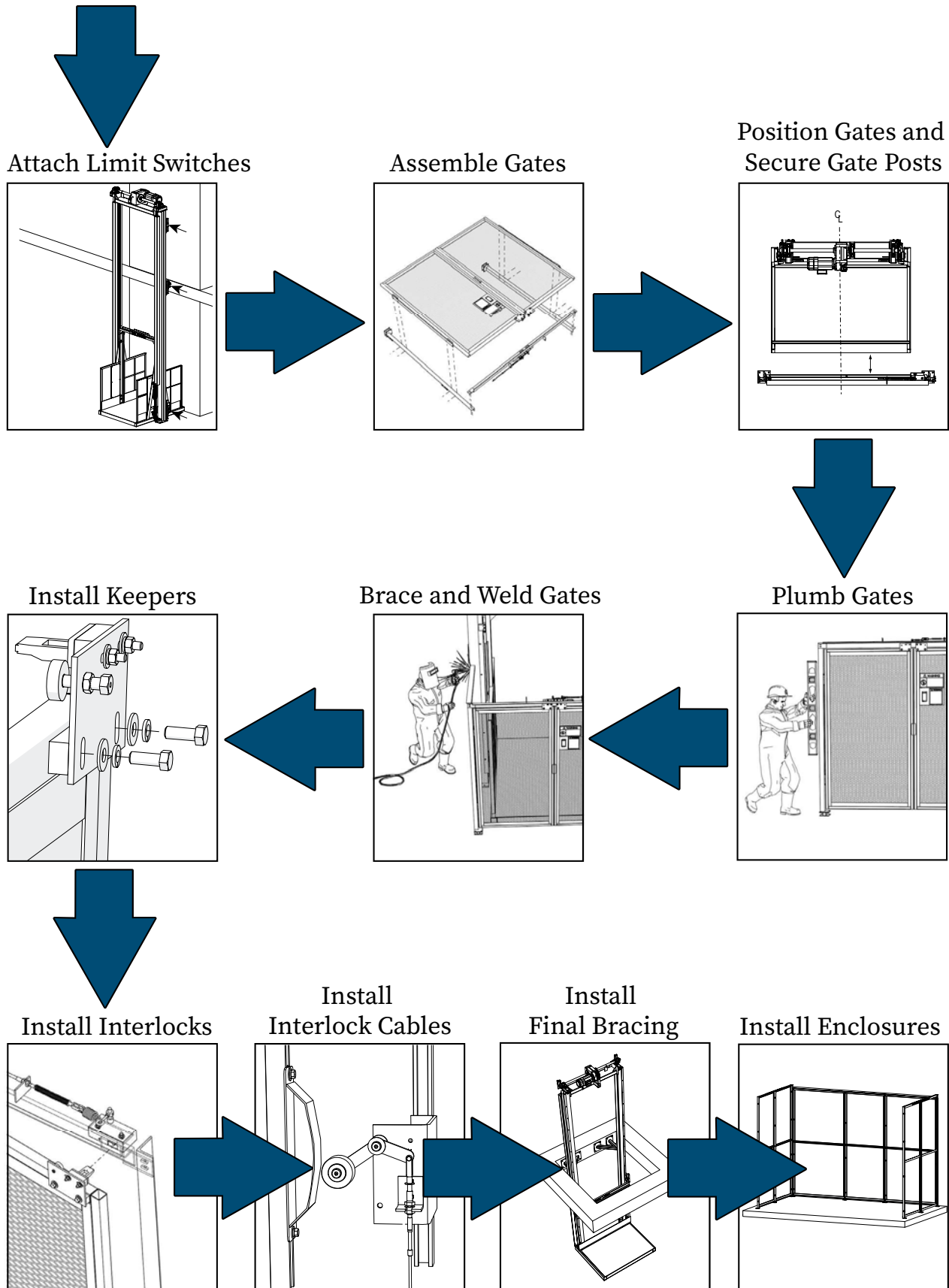
# Section 10 | Sequence of Installation



MATERIAL HANDLING SOLUTIONS

www.pflow.com  
P 414 352 9000  
F 414 352 9002  
6720 N. Teutonia Ave.  
Milwaukee, WI 53209





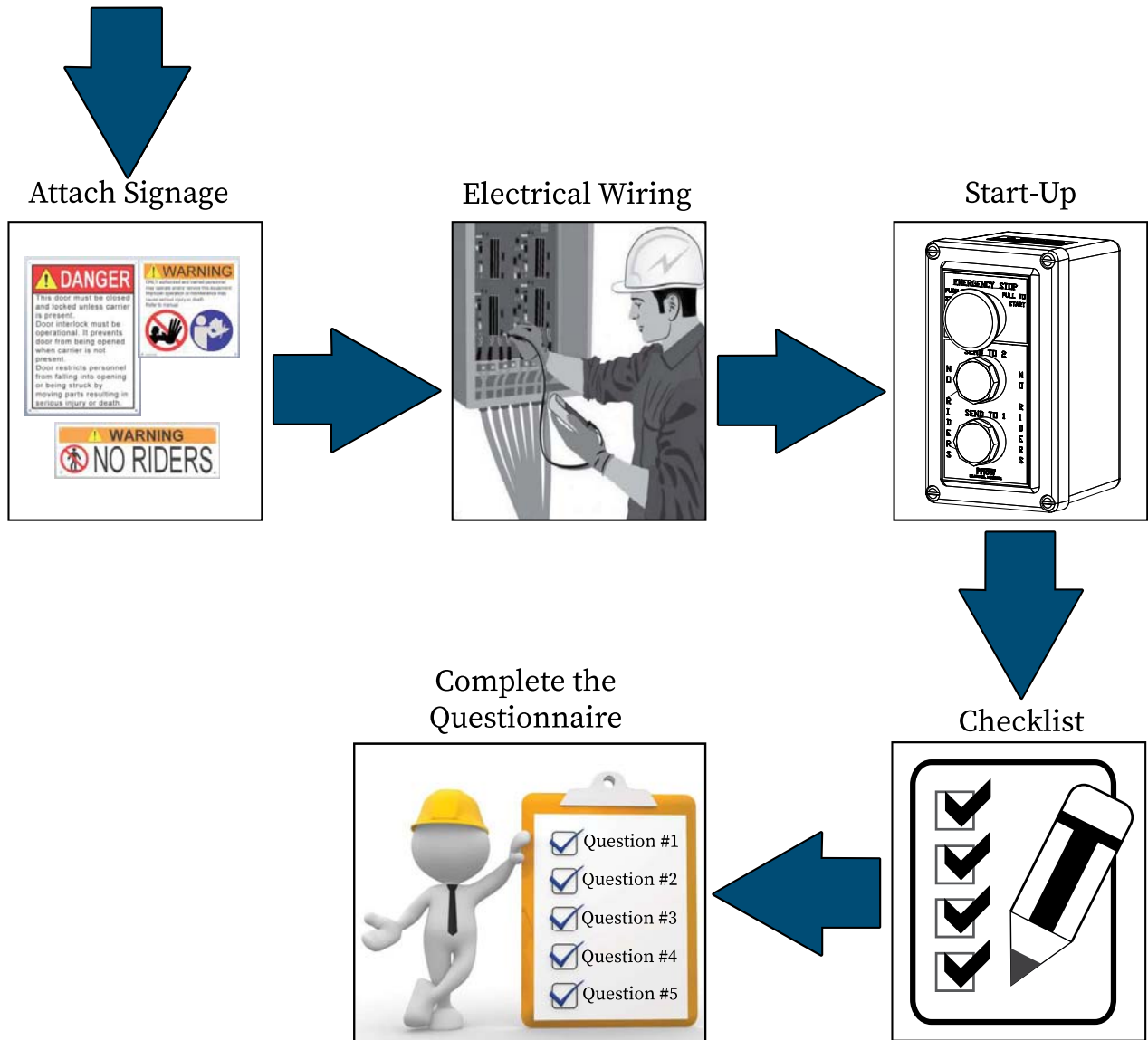


# Section 10 | Sequence of Installation



MATERIAL HANDLING SOLUTIONS

www.pflow.com  
P 414 352 9000  
F 414 352 9002  
6720 N. Teutonia Ave.  
Milwaukee, WI 53209





**Before You Begin**

**Read this entire manual. Before starting the installation, verify the job site dimensions and the dimensions of the delivered materials against the PFlow Industries, Inc. General Arrangement (GA) drawing. If the site conditions or the delivered materials do not match the GA drawing, please consult the PFlow Industries, Inc. Customer Support Department.**

**! DANGER**

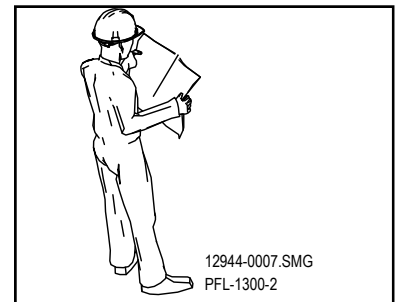
Falling column hazard! The installation of this equipment requires a qualified installer with extensive knowledge and experience on how to rig, erect, and support structural steel.

**NOTICE**

A qualified person is defined as a person who, by possession of a recognized degree or certificate of professional standing, or by extensive knowledge, training, and experience, has successfully demonstrated his/her ability to solve problems relating to the subject matter and work.

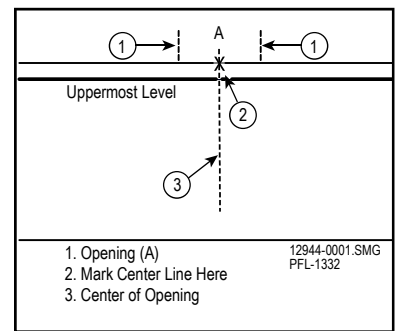
**Verify Job Site Dimensions and Carriage Orientation**

The Vertical Reciprocating Conveyor (VRC) was built using dimensions supplied to PFlow Industries, Inc. as listed on the General Arrangement drawing (e.g., floor-to-floor distance, pit depth, upper level opening, etc.).



12944-0007.SMG PFL-1300-2  
 Verify Site Dimensions Figure 11-1

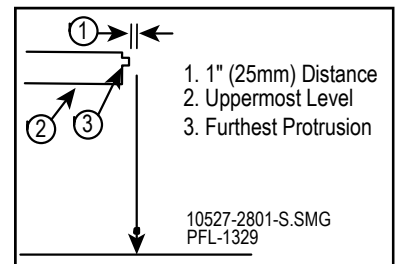
These instructions are representative of an open mezzanine installation in which the carriage is placed in position before the columns are placed in position.



12944-0001.SMG PFL-1332  
 Initial Layout Figure 11-2

**Mark Alignment**

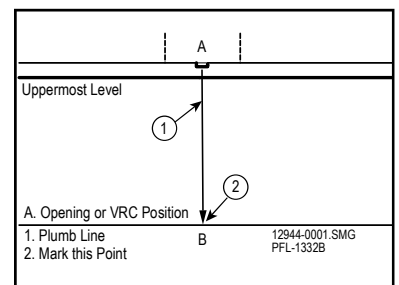
1. Verify that the column installation (e.g., no spliced columns, no restricted shaftway, etc.) allows the carriage to be placed before the columns are installed.
2. Mark the center line position of the opening at the uppermost level. See Figure 11-2.
3. To allow clearance for carriage movement, drop a plumb line from the uppermost level on the center line of the opening (Point A). The plumb line must be 1" (25mm) beyond the furthest protrusion. See Figure 11-3.
4. Clearly mark the tip of the plumb bob on the first floor. Point B is the center point of the effective carriage deck at the lower level. See Figure 11-4.



10527-2801-S.SMG PFL-1329  
 Floor-to-Floor Alignment Figure 11-3

**NOTICE**

All protrusions from the floor, wall, or other areas must be removed. Plumb lines must be positioned 1" (25mm) beyond the furthest protrusion or the carriage will not move beyond the protrusion after installation. The floor may need to be extended to get the proper distance from the floor to the carriage.



12944-0001.SMG PFL-1332B  
 Mark Lower Floor Figure 11-4

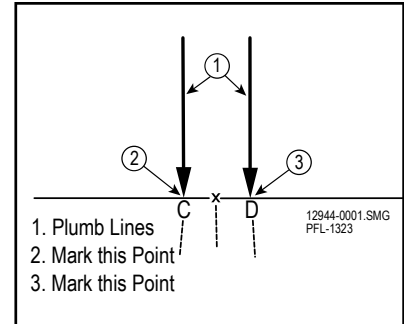
**Mark Alignment  
 (continued)**

5. Drop two plumb lines from the uppermost level roughly 2' (1219mm) on each side of the center line. The plumb line must be 1" (25mm) beyond the furthest protrusion. See Figure 11-5.
6. Locate the three marks on the first floor. Snap a chalk line between C and D. See Figure 11-6.

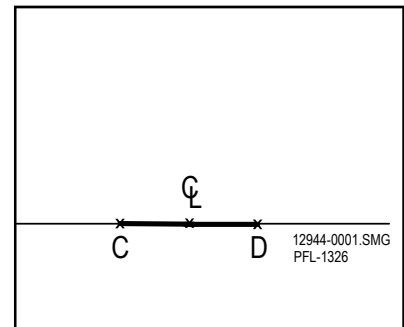
**NOTICE** Setting the carriage on 4" x 4" (102mm x 102mm) blocks approximately 6" (152mm) long will allow the chains and chain tensioner to be attached and leveled without waiting for power.

**Position the Carriage**

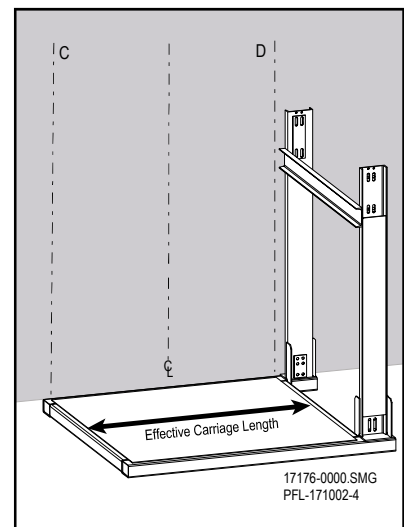
1. Align the edge of the carriage on the snap line.
2. Align the center of the effective carriage deck to the center line floor marks. See Figure 11-6 and Figure 11-7.
3. Level the carriage deck, shimming the underside if necessary.
4. Temporarily secure the carriage from moving by welding the carriage to the building structure, welding temporary anchors, or welding side tabs.



Align Floor-to-Floor Figure 11-5



Align Lower Floor Figure 11-6



Place Carriage Figure 11-7



**Before You Begin**

*Read this entire manual.*

**Before starting the installation, verify the job site dimensions and the dimensions of the delivered materials against the PFlow Industries, Inc. General Arrangement (GA) drawing. If the site conditions or the delivered materials do not match the GA drawing, please consult the PFlow Industries, Inc. Customer Support Department.**

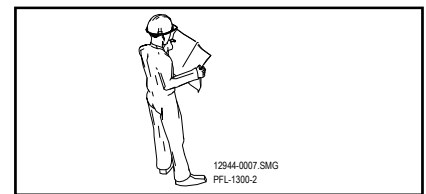
**Before assembling any VRC components, review Section 13 for approved bracing guidelines.**



Falling column hazard! The installation of this equipment requires a qualified installer with extensive knowledge and experience on how to rig, erect, and support structural steel.

**NOTICE**

A qualified person is defined as a person who, by possession of a recognized degree or certificate of professional standing, or by extensive knowledge, training, and experience, has successfully demonstrated his/her ability to solve problems relating to the subject matter and work.

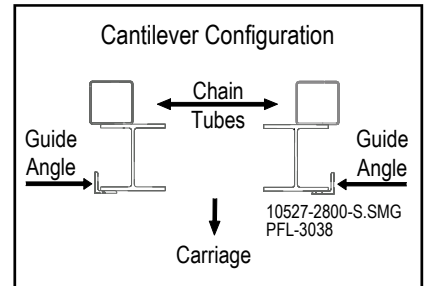


Verify Dimensions  
 Figure 12-1

**Purpose**

The Vertical Reciprocating Conveyor (VRC) is designed for the movement of materials only, up to its rated capacity, from one level to the next.

This section describes the installation of the wheelblocks, columns, carriage, drivebase, lift chains, and chain tensioners.



Verify Orientation  
 Figure 12-2

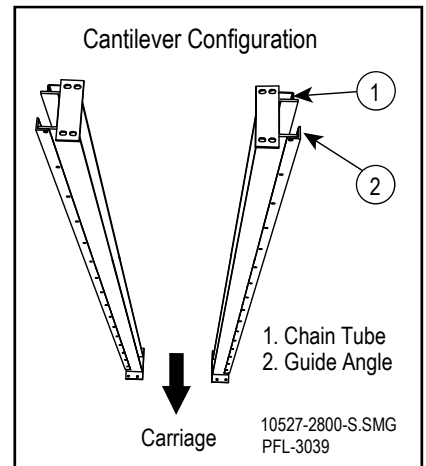
**Confirm the Orientation of Each Column**

Refer to the PFlow Industries, Inc. General Arrangement (GA) drawing to confirm the correct orientation of each guide column and the guide angle to guide angle dimension. Contact the PFlow Industries, Inc. Customer Support Department immediately concerning any discrepancies. See Figure 12-1.

**Cantilever Configuration Column Guidelines**

Each guide column must be correctly installed. There is only one correct orientation.

The guide column face (flange) is positioned with the guide angle on the outside of the VRC and the chain tube facing away from the carriage. See Figure 12-2 and Figure 12-3.



Verify Orientation  
 Figure 12-3

**Spliced Column Guidelines**

This VRC may have spliced columns. These instructions are for standard 6" (152mm) flange columns. For other types of flange columns, see job specific drawings at the end of the installation manual.

If the spliced pieces of the columns are not assembled properly, the drivebase assembly will not be level at the top of the columns.

Match marks are added to the spliced columns to indicate the sequence the columns are to be reassembled. If there is any confusion regarding the match marks or location of the columns, please contact PFlow Industries, Inc. for clarification. See Figure 12-4.

**NOTICE** If there are more than two spliced pieces per column, see Figure 12-5 to determine placement of the spliced pieces.

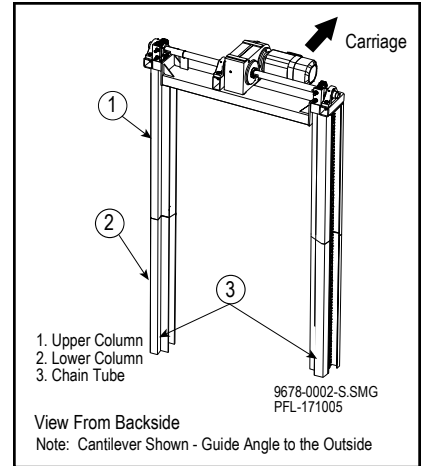
**NOTE** Assembly is usually done vertically. It may be possible to fully assemble and weld the columns on the ground. However, it may not be possible to erect the full length spliced column.

**DANGER**

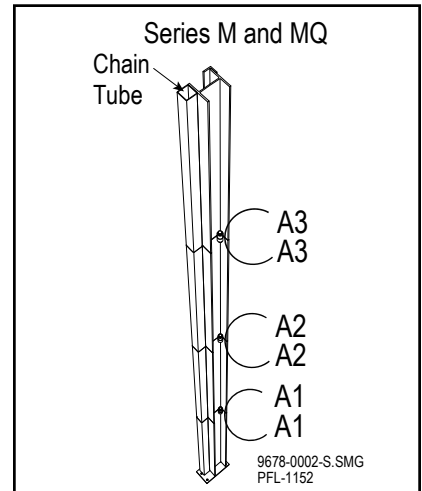
Falling column hazard! Properly support and temporarily brace the columns during spliced column assembly. The alignment bolts are used only to align the sections of the columns prior to welding. The alignment bolts are not strong enough to support the columns.

1. Match the spliced pieces of the column. See Figure 12-5 and Figure 12-6.
2. Remove the alignment bolts, lock washers, and nuts from the alignment tubes.
3. Insert the alignment bolt into the two (2) alignment tubes. See Figure 12-6.
4. Add a lock washer and nut to the alignment bolt and tighten.
5. If assembling the columns in the upright position, temporarily brace all sections of the column.
6. Continue to bolt the remaining spliced column pieces together.

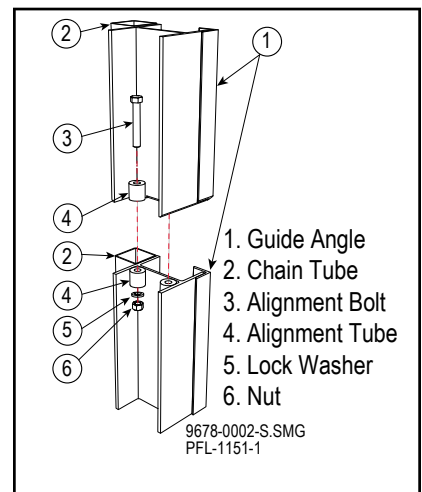
Assemble the second column using steps 1-6.



Columns Match Marked  
 Figure 12-4



Columns Match Marked  
 Figure 12-5



Assemble Matched Columns  
 Figure 12-6

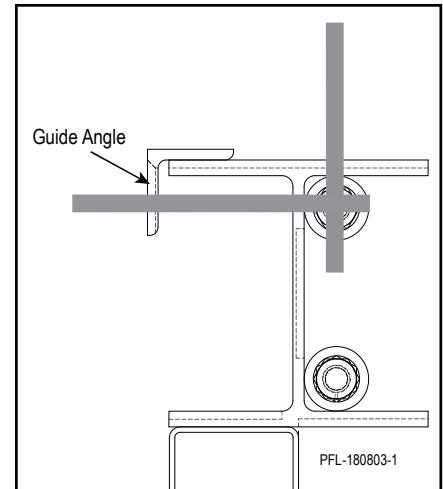


**Assemble the Spliced Column**

### Align the Spliced Column

Proper alignment is critical to the installation and operation of the VRC. The column is to be aligned from two directions and will need two (2) strings.

1. Attach two (2) strings from the top to the bottom of the column, perpendicular to each other. Make sure both strings are taut. See Figure 12-7 and Figure 12-8.
2. Keep the same distance at all attachment points.
3. Measure between the string and the guide angle at multiple points along the length of the column.
4. Maintain an equal distance between the string and the guide angle down all column sections. Correct any discrepancies.



Attach Strings  
 Figure 12-7

### Tack Weld the Spliced Column

Welding must be completed according to the standards and guidelines of the latest edition of AWS D1.1.

Weld filler material must be a minimum of E60xx.

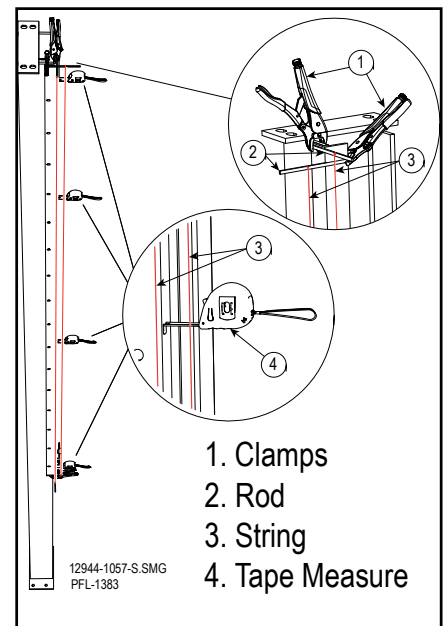
**NOTICE**

To avoid column twist, avoid excessive heat while welding. Weld in a manner to allow the heat to dissipate.

1. Do not weld the column flange surface located behind the guide angle.
2. Tack weld on three sides of the chain tube.

**NOTICE**

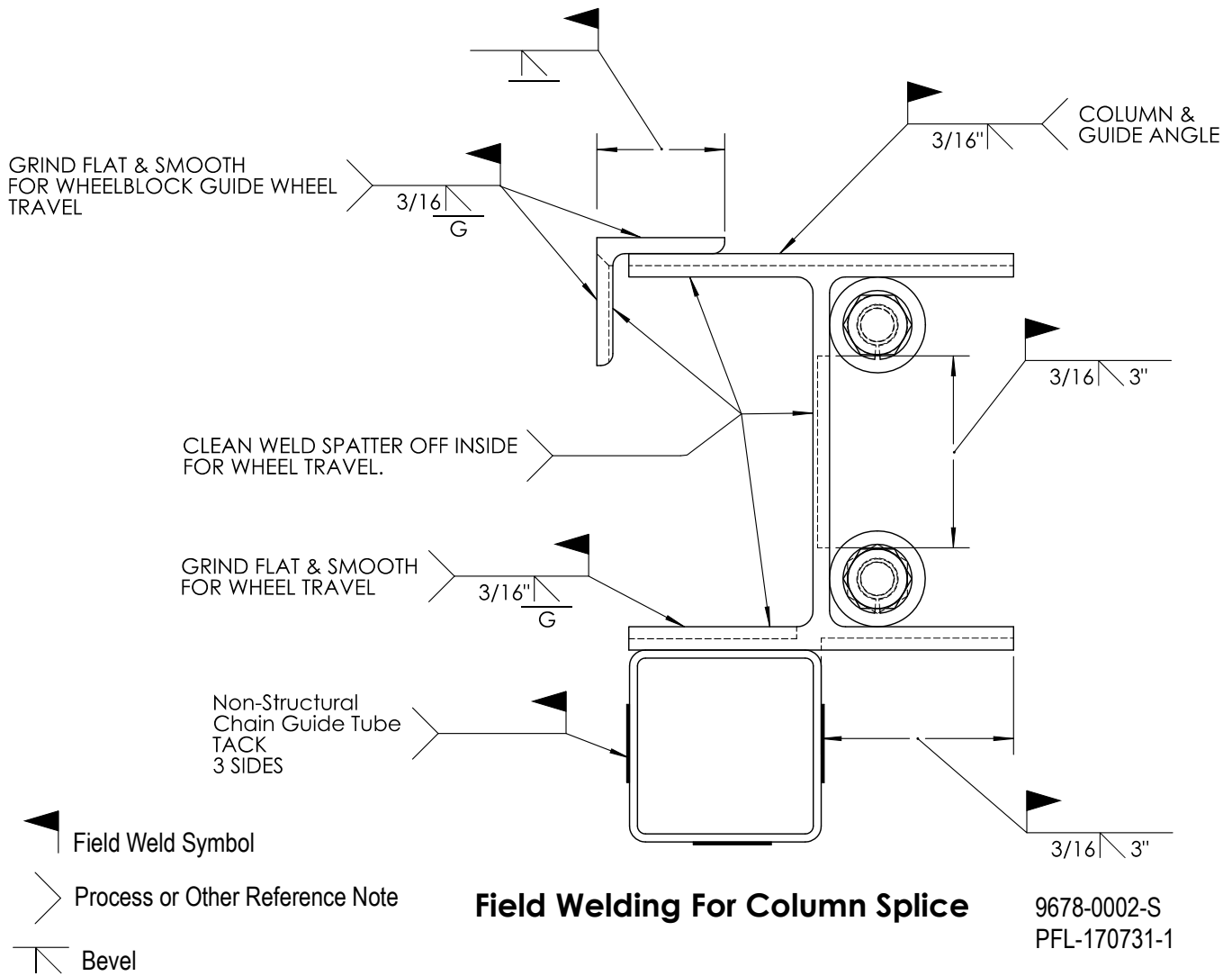
The chain tube is a chain guard, not a structural member. The chain tube is thin walled. Be careful to avoid burning through the chain tube when welding.



Spliced Column Alignment  
 Figure 12-8

**Spliced Column  
 Finish Welding Details**

1. Finish weld all splice joints per the welding details shown in Figure 12-9.
2. Grind the welded area flat on both surfaces of the guide angle to allow the safety cam shoe and guide roller enough clearance for vertical carriage travel.
3. Grind all surface welds on the column flat and smooth where the guide roller travels.
4. Remove any weld spatter from the inside of the guide angle surface.
5. Remove any weld spatter from the inside of the column surfaces.
6. Clean and paint all welded areas.



Welding Notes  
 Figure 12-9



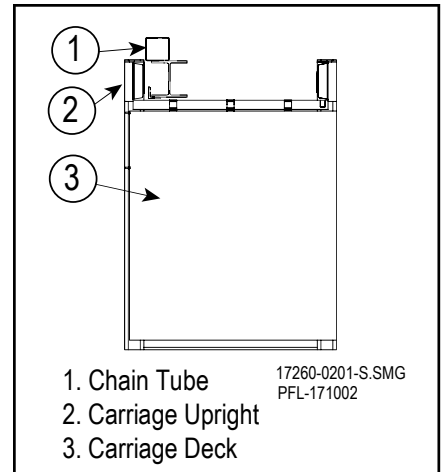


**Raise and Secure the 1st Column**

**⚠ DANGER**

Falling column hazard! Properly support the columns during installation. Do not assume that the bolted connection on the carriage and wheelblocks will prevent the columns from falling.

1. Prepare to raise the 1st column into position.
2. Review the weight of the column and the drivebase to confirm that the pick point will withstand the weight.
3. Use a suitable hoisting system that complies with local regulations.
4. Put a sling around the column using proper rigging techniques and attach the lifting device.
5. Carefully and slowly lift the column to an upright position.
6. Move the column into position and secure the column. See Figure 12-10.
7. Make sure the column is secure and cannot fall until permanent bracing is installed.



1. Chain Tube
2. Carriage Upright
3. Carriage Deck

*Sliding Column  
 Figure 12-10*



**⚠ DANGER**

Falling column hazard! Properly support the columns during installation. Do not assume that the bolted connection on the carriage and wheelblocks will prevent the columns from falling.

**Raise and Secure the 2nd Column**

To raise and secure the 2nd column, repeating the same procedures outlined on the previous page.

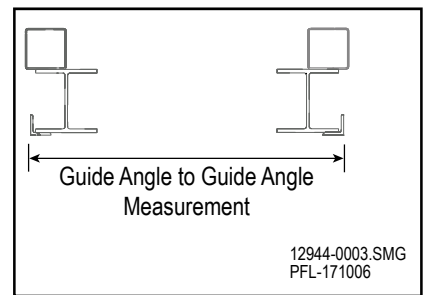
**Verify the Guide Angle to Guide Angle Alignment**

Refer to the PFlow Industries, Inc. General Arrangement (GA) drawing to confirm the guide angle to guide angle dimension. Contact the PFlow Industries, Inc. Customer Support Department immediately concerning any discrepancies.

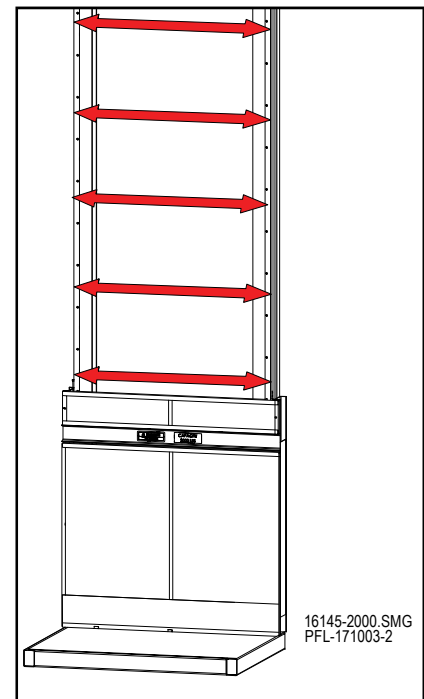
**NOTICE**

Column alignment is *critical* for proper VRC operation. Alignment between the column guide angles must be verified during and after column installation.

1. Measure the distance between the guide angle to guide angle. See Figure 12-11.
2. Verify the distance at multiple locations along the columns. See Figure 12-12.
3. Maintain the same guide angle to guide angle dimension from the bottom of the VRC columns to the top of the VRC columns (+/- 1/16"). See Figure 12-12.

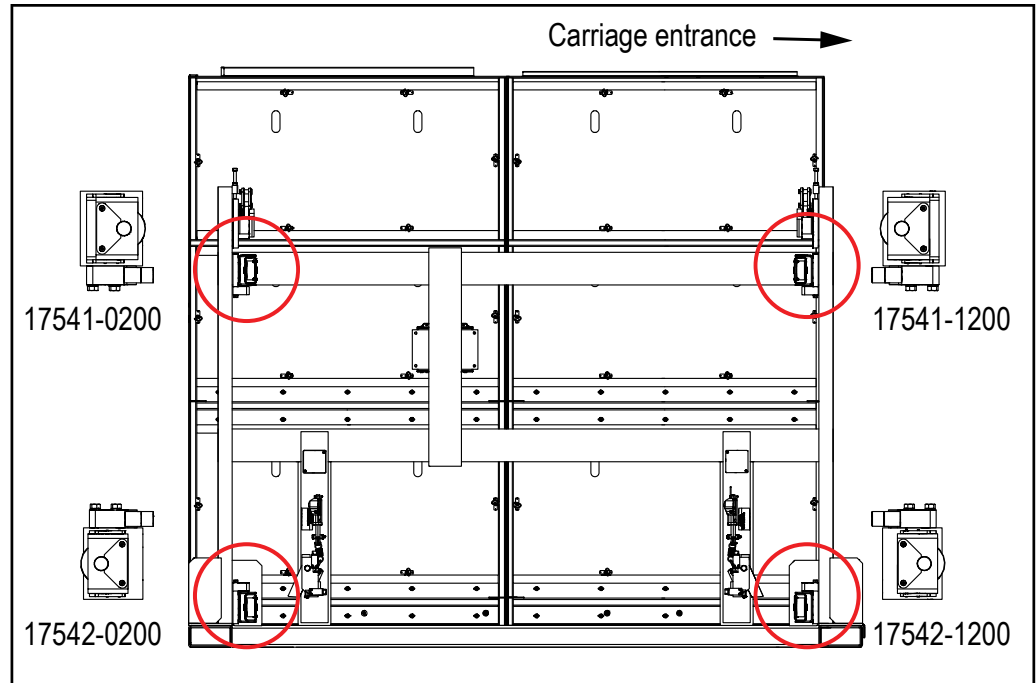


Verify Guide Angle Measurement  
 Figure 12-11



Verify Guide Angle Distance  
 Figure 12-12

**Prepare the Roller Guides**

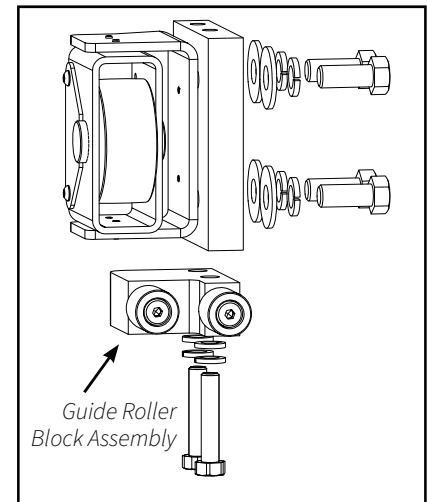


*Roller Guide Wheelblock Orientation  
 Figure 12-13*

1. Remove the four (4) hex head screws from the back of the roller guide wheelblock assembly. See Figure 12-13.
2. Locate the guide roller block assembly (packaged separately).

**NOTE** *Depending on the final location of the roller guide wheelblock assembly, the guide roller assembly can be attached to the top or the bottom of the roller guide wheelblock assembly. Refer to the job specific carriage assembly drawing (-200) or Figure 12-13 for orientation.*

3. Attach the guide roller block assembly to the roller guide wheelblock assembly. See Figure 12-14.
4. Torque the 1/2-13 x 2.5, GR5 bolts to 75 lb-ft (102 N-m).
5. Repeat steps 1-4 for all roller guide wheelblock assemblies.



*Guide Roller Block Assembly  
 Figure 12-14*



**Attach the Lower Roller Guide Wheelblock**

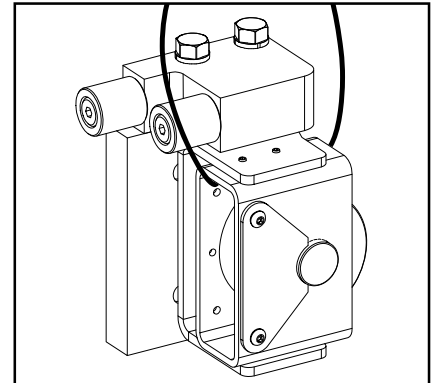
**CAUTION**



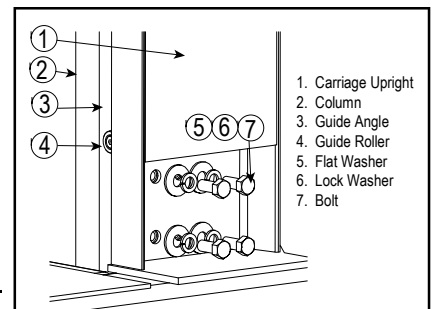
Lifting hazard! Components and accessories may be heavy. Use the appropriate lifting apparatus or get help when moving or lifting. Installation of the roller guide wheelblock requires two (2) people to properly position the wheelblock.

Two (2) people are required for this procedure.

1. Wrap a rope through the frame of the wheel on the roller guide wheelblock. See Figure 12-17.
2. With the guide rollers facing up and the wheel facing the inside of the column, maneuver the roller guide wheelblock in between the column and the carriage upright.
3. Make sure one guide roller rides outside the guide angle.
4. Maneuver the wheelblock into place and insert four (4) 5/8-11 x 1.5 hex head bolts, lock washers, and washers through the holes in the carriage upright and into the wheelblock. Tighten the bolts. **A minimum thread engagement of 5/8" is required for the wheelblock connection.** See Figure 12-16.



Lower Wheelblock Orientation  
 Figure 12-15



Lower Wheelblock Placement  
 Figure 12-16



**Attach the Upper Roller Guide Wheelblock**

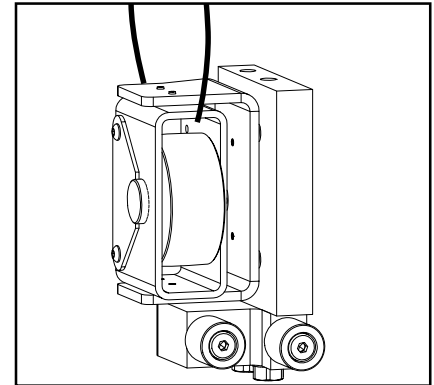
**CAUTION**



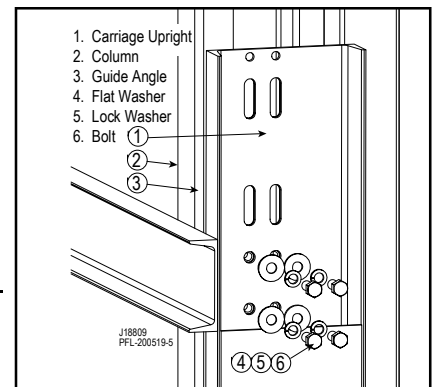
Lifting hazard! Components and accessories may be heavy. Use the appropriate lifting apparatus or get help when moving or lifting. Installation of the twin roller guide wheelblock requires two (2) people to properly position the wheelblock..

Two (2) people are required for this procedure.

1. Wrap a rope through the frame of the wheel on the roller guide wheelblock. See Figure 12-17.
2. With the guide rollers facing down and the wheel facing the inside of the column, maneuver the roller guide wheelblock in between the column and the carriage upright. See Figure 12-18.
3. Make sure one guide roller rides outside the guide angle.
4. Maneuver the wheelblock into place and insert four (4) 5/8-11 x 1.5 hex head bolts, lock washers, and washers through the holes in the carriage upright and into the wheelblock. Tighten the bolts. **A minimum thread engagement of 5/8" is required for the wheelblock connection.** See Figure 12-18.



Upper Wheelblock Orientation  
 Figure 12-17



Attaching Upper Wheelblock  
 Figure 12-18



**Prepare the Safety Cam Assembly**

**WARNING**



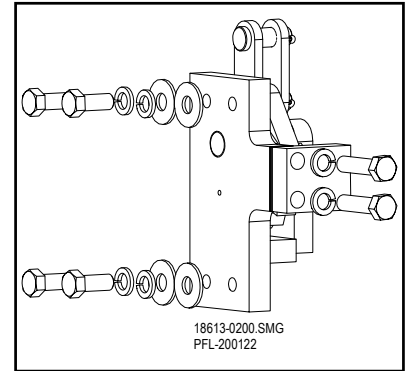
Crush hazard! The safety cam is spring-tensioned and can crush fingers if it unexpectedly rotates. Keep hands and fingers away from the cam area.

1. Remove the four (4) hex head screws from the back of the safety cam. See Figure 12-19.
2. Make sure toggle is attached to the safety cam link. See Figure 12-20.
3. Remove the safety cam shoe and any spacers. See Figure 12-20.

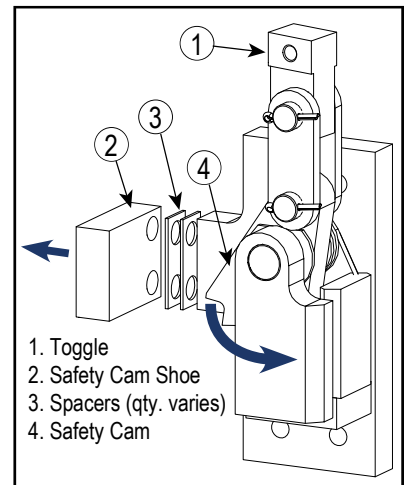
The quantity of spacers is determined by the thickness of the column web flange.

- 15# = .260" (+.005" coating) - 0 spacers
- 20# = .360" (+.005" coating) - 1 spacer
- 25# = .460" (+.005" coating) - 2 spacers

4. Carefully rotate the spring tensioned safety cam vertically. See Figure 12-20.
5. Insert the 5/8"-11 x 1.5" setscrew (provided) from the back side of the assembly into the tapped hole in the base. Tighten the setscrew using a 5/8" hex key against the safety cam behind the pin to lock the safety cam vertically in place. See Figure 12-21 and Figure 12-22.



Remove Hex Head Screws  
 Figure 12-19



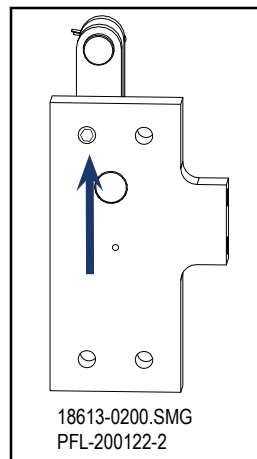
Remove Safety Cam Shoe and Rotate the Safety Cam  
 Figure 12-20

**NOTE** Locking the safety cam vertically in place will make the safety cam installation safer and easier.

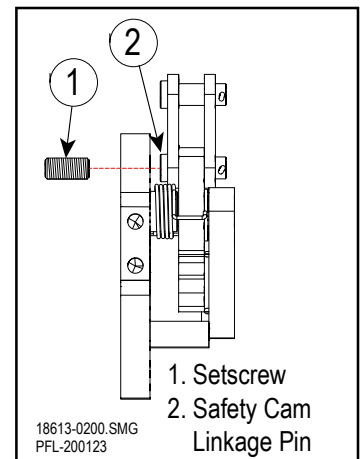


**WARNING**

Carriage drop hazard! Before operating the VRC, replace the setscrew in the safety cam assembly with the previously removed hex head screw and washers. Otherwise the safety cam will not function.



Insert Setscrew  
 Figure 12-21

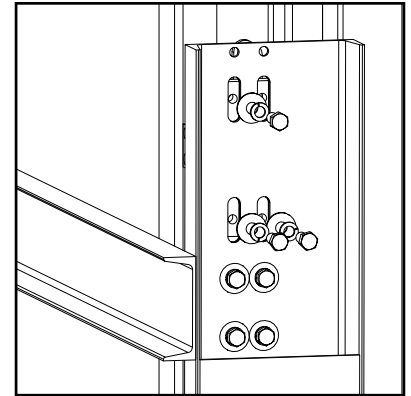


Insert Setscrew  
 Figure 12-22



**Attach the Safety Cam Assembly**

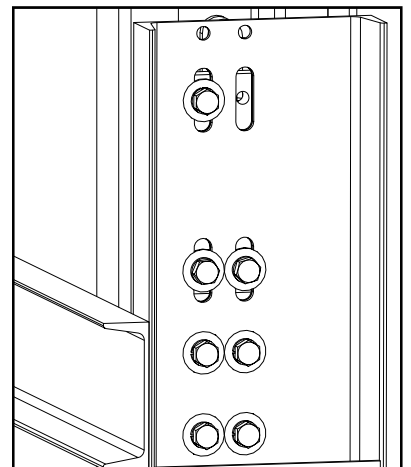
1. With the safety cam facing the inside of the column, maneuver the safety cam assembly in between the column and the carriage upright. See Figure 12-23.
2. Maneuver the safety cam assembly into place and insert three (3) hex head bolts, lock washers, and washers through the adjusting slots in the carriage upright and into the safety cam assembly. Center the assembly within the adjusting slots.
3. Tighten the bolts. **A minimum thread engagement of 5/8" is required for the safety cam assembly connection.** See Figure 12-24.



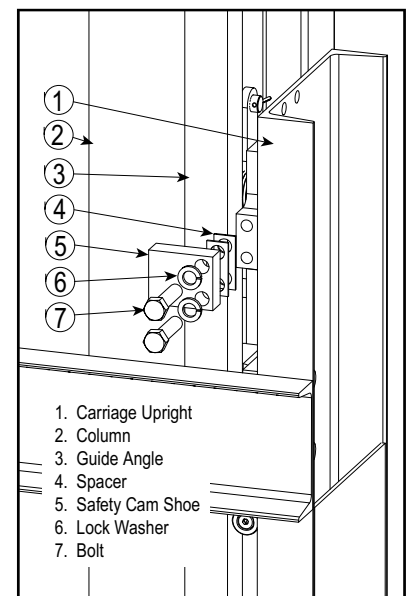
Insert Hex Head Screws  
 Figure 12-23

**NOTE** Further adjustment is necessary to complete alignment.

4. Attach the safety cam shoe and spacers using 5/8-11 x 2.25, GR8 bolts. See Figure 12-25.
5. Fully tighten the bolts.
6. Repeat steps 1-5 for each column.



Attach Safety Cam  
 Figure 12-24



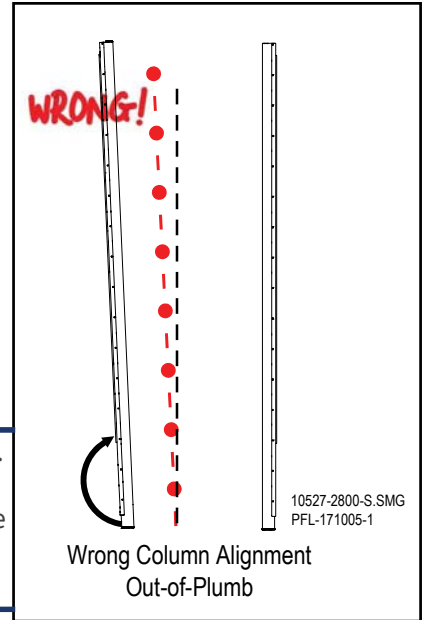
Attach Safety Cam Shoe  
 Figure 12-25



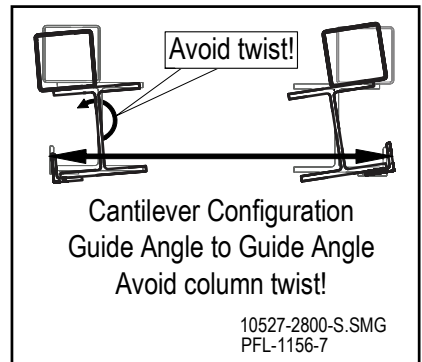
**Review the Columns for Plumb**

1. Make sure all columns are plumb in both directions. See Figure 12-26.
2. Make sure the inside of the safety cam shoe and the outside of the guide angle are parallel to each other.
3. Review the gap between the wheelblock guide rollers and the column guide angle. A measurement of 3/16" (+/- 1/16") [2mm] on both sides of the column guide angle ensures smooth carriage travel. See Figure 12-28.

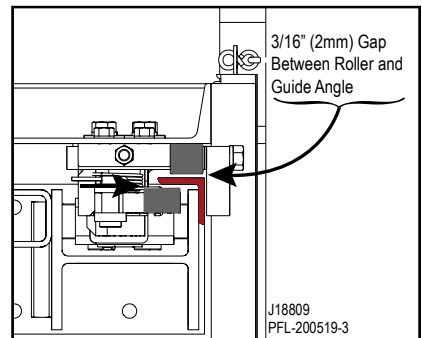
**NOTICE** Column twist must be avoided. See Figure 12-27. If the gap between the face of the guide angle and the safety cam shoe or the wheelblock guide rollers changes from left to right, the columns must be adjusted to provide an even gap.



Column Alignment Out-of-Plumb  
 Figure 12-26



Avoid Twist  
 Figure 12-27



Verify Gap Dimension  
 Figure 12-28



## CAUTION

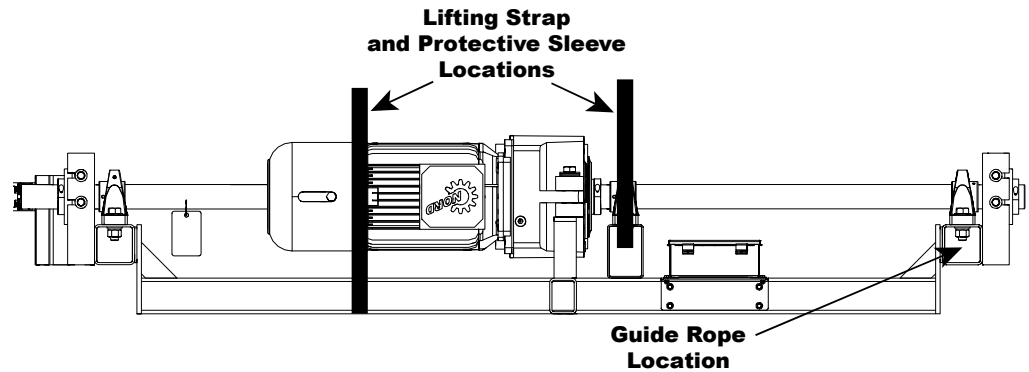
To prevent personal injury or damaging the drivebase, attach rigging only to the drivebase assembly weldment when lifting the drivebase assembly. Do not attach rigging to any drivebase assembly components (e.g., shaft, gear motor, pillow blocks, etc.).

### Inspect the Oil Level

Inspect the oil level in the gear motor. Replenish as needed.

### Install the Drivebase

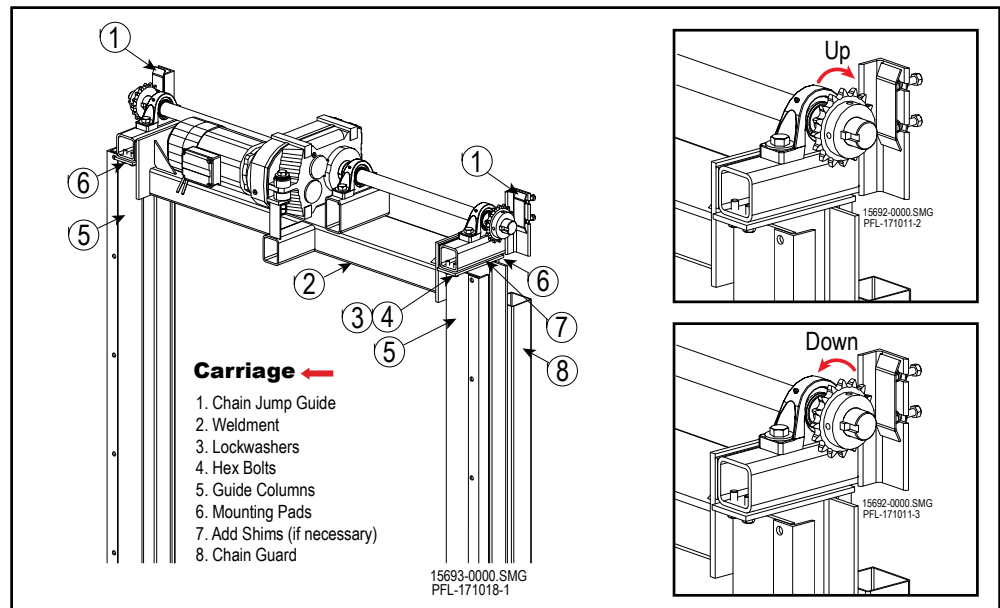
1. Make sure the columns are firmly secured in place.
2. Review the weight of the drivebase assembly to confirm that the pick point will withstand the weight of the drivebase assembly.
3. Use a suitable lifting system that complies with local regulations.



*Lifting Strap Placement  
Figure 12-29*

**Install the Drivebase  
 (continued)**

4. Review the General Arrangement drawing for accurate motor orientation.
5. Lift the drivebase assembly into position and place over the top of the guide columns. See Figure 12-30.
6. Align the drivebase assembly with the mounting pads at the top of the guide columns.
7. Verify that the driveshaft is level. Shim if necessary.
8. Attach the drivebase to the column with bolts, lock washers, and nuts. Snug bolts down to allow for final adjustments. **Do not weld at this time.**



Drivebase Assembly  
 Figure 12-30

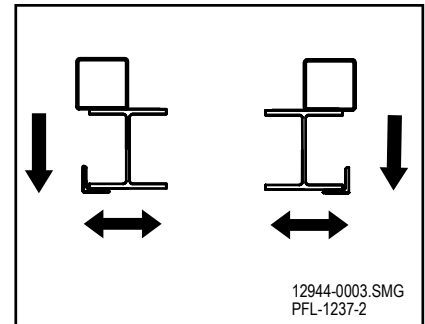
**Review the Columns**

Be sure to plumb and correct column twist one column at a time. See Figure 12-31.

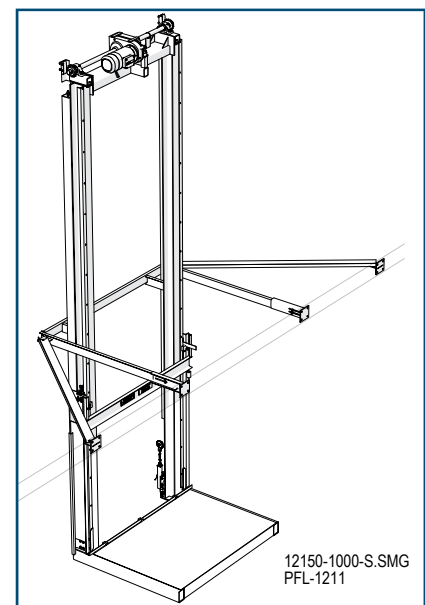
1. Plumb each column on each side.
2. Recheck the guide angle to guide angle dimension at multiple locations along the columns. Make sure there is no column twist.
3. Review the Bracing Instructions in Section 13 of this installation manual.

**NOTICE** Bracing must resist all dynamic operational loads. The General Arrangement (GA) drawing states the static lateral load that the bracing must support. Each column requires bracing in both front to back and side to side.

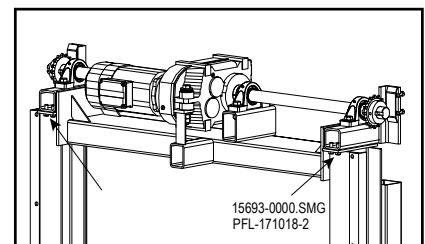
4. A job specific bracing drawing may be provided. Verify drawing details prior to beginning field bracing work.
5. Tack weld the upper floor-to-column braces to the face of the floor or mezzanine. See Figure 12-32.
6. Recheck the guide angle to guide angle dimension and plumb.
7. Verify the proper floor anchor size and type for the job site. Special conditions (e.g., seismic site location) require that proper anchoring and bracing methods are used.
8. If the columns are plumb, bolt the column base plates to the floor according to local or state codes especially in seismic zones. PFlow Industries, Inc. recommends 1/2" x 4" (13mm x 102mm) long wedge style anchors.
9. Recheck the guide angle to guide angle dimension and verify that the gap from the column to the outside wheelblock guide roller is 3/16" (2mm).
10. Fully field weld the column braces to the face of the upper floor or mezzanine.
11. Add side bracing and fully weld.
12. Recheck the guide angle to guide angle dimension and plumb.
13. Fully tighten and torque the 1/2-13 drivebase mounting bolts to 49 lb-ft (66 N-m). See Figure 12-33. **Do not weld the drivebase assembly to the column at this time.**



Review Columns for Plumb  
Figure 12-31

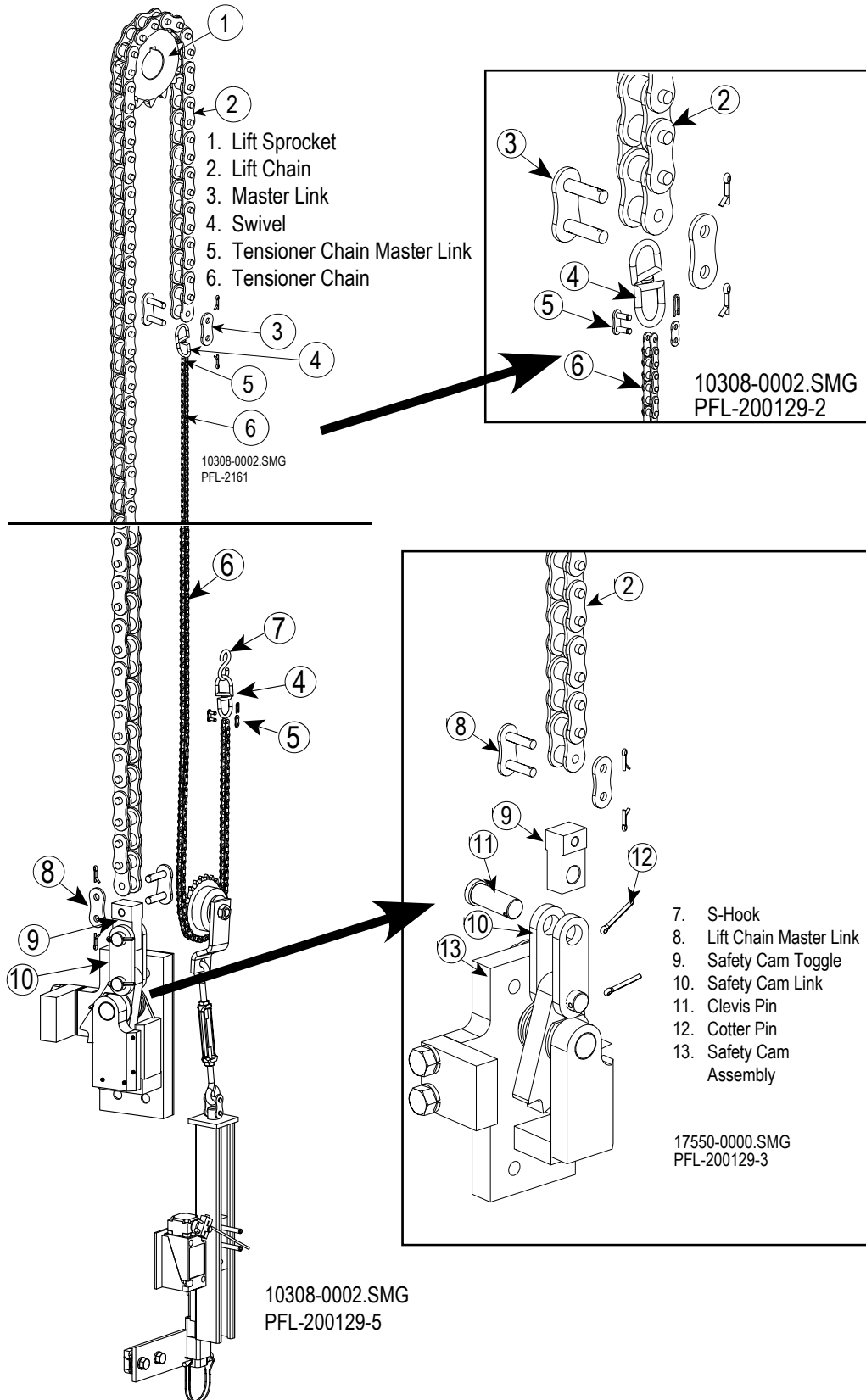


Tack Weld Bracing  
Figure 12-32



Tighten and Torque Hex Bolts  
Figure 12-33

Lift Chains





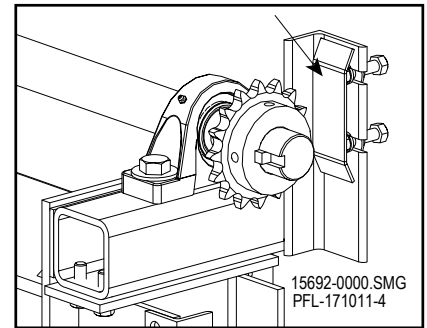
**WARNING**



Entanglement hazard! Remove gloves, secure long hair, wear snug-fitting clothing, and avoid wearing jewelry while working with chains.



Crush hazard! Keep hands outside and above the chain. If the lift chain does not reach the safety cam, carefully work the lift chain around the sprocket until it does reach the safety cam. Lift the chain from the sides. If the chain drops unaided, the weight of the chain will crush fingers. Do not allow the chain to come off the sprocket.

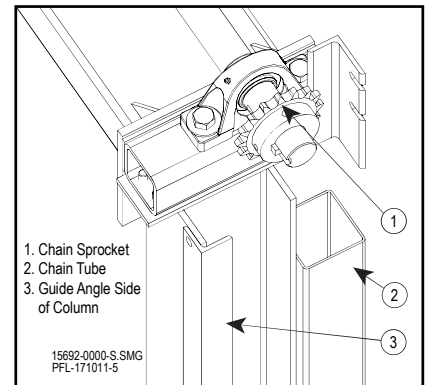


Remove Chain Jump Guide Figure 12-34

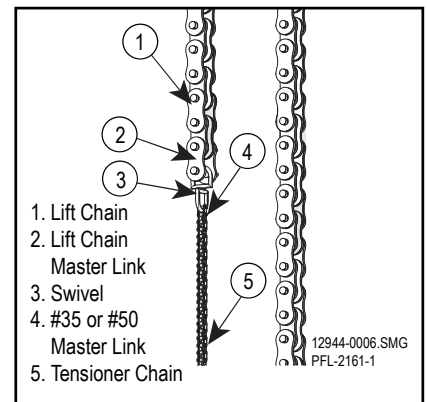
**Install the Lift Chains**

**NOTE** The lift chain is usually packaged in 10' (3,05 m) lengths. Depending on the required overall chain length, there may be two (2) smaller sections, one for each column. Make sure the lift chain is divided into two (2) equal lengths.

1. Remove the chain jump guide. See Figure 12-34.
2. Take a 10' (3,05 m) section of the lift chain (larger chain) and place a 2' (610mm) section of the chain over the sprocket on the column just above the chain tube. Make sure the retaining clip side of the master link faces the carriage for easy access. See Figure 12-35.
3. Clamp and secure both sides of the lift chain to the sprocket to prevent the lift chain from falling down the column.
4. Separate the #35 tensioner chain (some installations require #50) equally into two sections (one for each column). Mount the swivel to one end of the tensioner chain using the tensioner chain master link. See Figure 12-36.
5. Attach the tensioner chain to the end of the 2' (610mm) section of the lift chain using the lift chain master link. See Figure 12-36.



Place a Section Over the Chain Sprocket Figure 12-35



Attach the Tensioner Chain to the Lift Chain Figure 12-36

**Install the Lift Chains (continued)**

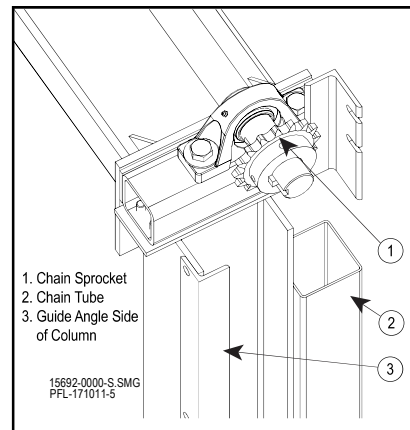


- Carefully lower the end of the tensioner chain without the swivel down the chain tube. See Figure 12-37. Make sure the chain goes down without any knots or kinks.

**WARNING**



Crush hazard! Keep hands outside and above the chain. If the lift chain does not reach the wheelblock, carefully work the lift chain around the sprocket until it does reach the wheelblock. Lift the chain from the sides. If the chain drops unaided, the weight of the chain will crush fingers. Do not allow the chain to come off the sprocket.



Lower the Tensioner Chain Down the Chain Tube Figure 12-37

- It may be necessary to slide the sprocket to center the chain inside the chain tube. If necessary, loosen the set screws on each side of the sprocket. Move the sprocket to center the chain inside the chain tube. Add Loctite® #242® Blue Threadlocker to the setscrews and tighten the setscrews to a defined torque setting per the list below:

Setscrew Diameter	5/16"	3/8"	1/2"	5/8"	3/4"
Torque lb-ft (N-m)	13 (18)	22 (30)	51 (69)	110 (149)	179 (243)

- Remove the clamps from the lift chain.
- Carefully work the lift chain around the sprocket so that approximately 30" (762mm) is down the chain tube.
- Clamp and secure both sides of the lift chain to the sprocket to prevent the lift chain from falling down the column.
- Join the next 10' (3,05 m) section of the lift chain together with a lift chain master link. Remove the clamps from the lift chain and feed the lift chain down the guide angle side of the column.
- Repeat step 10–11 until the lift chain reaches the safety cam.
- Attach the lift chain to the safety cam with a lift chain master link.
- Add Loctite® #242® Blue Threadlocker to the setscrews on each side of the chain sprocket.

Repeat steps 1–14 to install the chain on the other column.



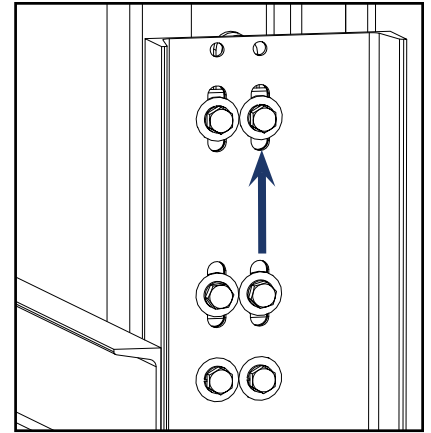


**Adjust the Length of the Lift Chains**

1. Adjust the length of the lift chains in each column to be approximately the same length by working the lift chain around the sprockets.
2. Remove slack from the lift chain as it reaches the safety cam toggle.

**Remove Safety Cam Setscrew**

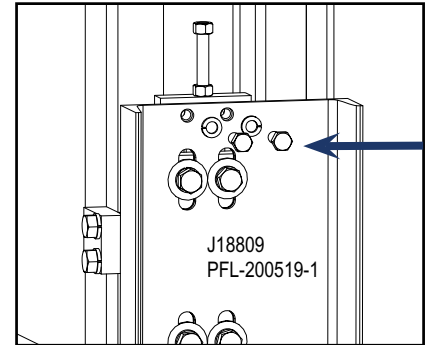
1. If a setscrew was used to temporarily secure the safety cam, remove the setscrew. See Figure 12-38.
2. Replace with the safety cam assembly bolt, and tighten. **A minimum thread engagement of 5/8" is required for the safety cam assembly connection.**



Replace Setscrew  
 Figure 12-38

**Attach the Jackscrew Mounting Block**

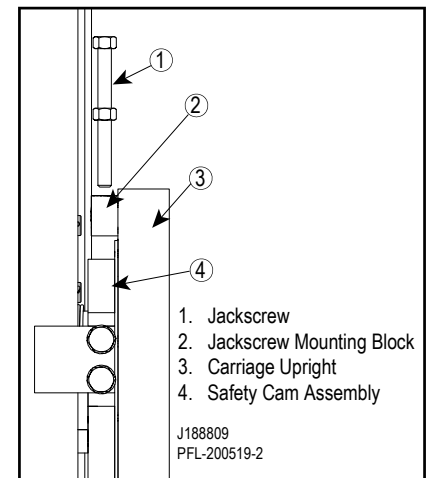
1. Attach the jackscrew mounting block to the carriage upright above the safety cam assembly. See Figure 12-39.
2. Tighten the 1/2-13 x 1.25, GR5 bolts and torque to 75 lb-ft (102 N-m).
3. Repeat steps 1 and 2 on the opposite side of the carriage.



Mounting Jackscrew Block  
 Figure 12-39

**Level the Carriage**

1. Remove the blocks from under the carriage (if used) and remove the temporary anchors or welds holding the carriage secure. The carriage should now be hanging freely from the chains.
2. On one side of the VRC carriage, tighten the safety cam mounting bolts.
3. On the opposite side of the VRC carriage, loosen the safety cam mounting bolts.
4. Use a leveling tool to determine which direction the jackscrew needs to be turned to level the VRC carriage. See Figure 12-40 (item 1).
5. After leveling the carriage, tighten the safety cam mounting bolts.



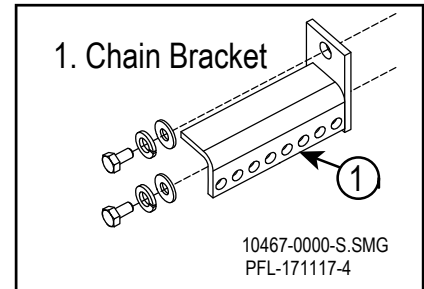
Level with Jackscrew  
 Figure 12-40

**Install the Chain Bracket**

1. Bolt the tapped plates and chain brackets together. See Figure 12-41.

**NOTICE**

The chain bracket should be attached to the vertical support of the carriage a minimum of 42" (1067mm) above the carriage deck and away from the chain tube. Make sure the chain and swivels do not rub on the chain tube, or any obstructions above it. See Figure 12-42.

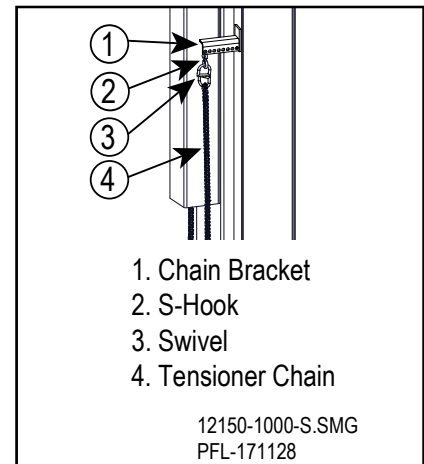


Chain Bracket  
Figure 12-41

2. Weld the tapped plate to the vertical support on the side of the carriage. See Figure 12-41 (item 1). The placement may vary due to carriage construction or the height of the columns.

**Install the Chain Tensioner Assembly**

1. Bolt the chain tensioner mounting bracket to the unistrut. See Figure 12-43 (item 5).
2. Insert the chain tensioner assembly onto the chain tensioner mounting bracket near the bottom of the column. Make sure the limit switch (item 4) is away from the carriage.
3. Open the turnbuckle (item 2) to its fullest point.
4. Place the S-hook and swivel on the chain bracket (items 2 and 3). See Figure 12-42.



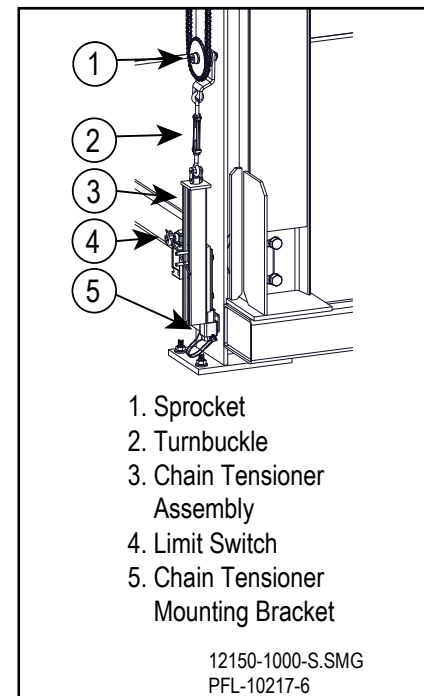
Tensioner Chain Assembly  
Figure 12-42

**NOTE**

The S-hook supplied with the VRC is properly sized for safety purposes. **Do not squeeze the S-hook shut.**

5. Place the tensioner chain (size #35 or #50) coming from the chain tube around the tensioner sprocket (item 1) and cut to length to meet the swivel. See Figure 12-43.
6. Attach the tensioner chain (size #35 or #50) to the swivel with the appropriate master link.

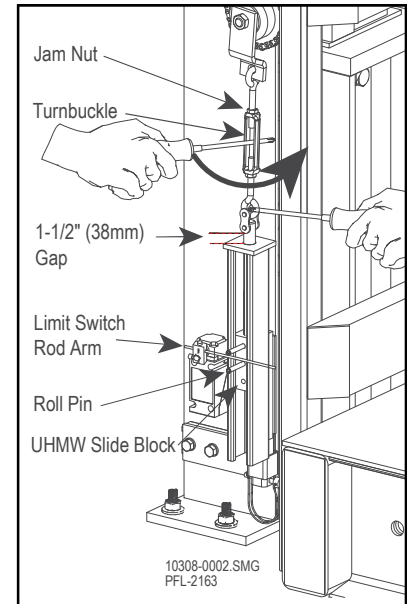
Install the lift chain tensioner and chain for the other column.



Chain Tensioner Assembly  
Figure 12-43

**Adjust the Turnbuckle**

1. While the carriage is hanging freely from the lift chains, adjust the turnbuckle until the gap from the top of the chain tensioner to the underside of the master link is 1-1/2" (38mm) wide. See Figure 12-44.
2. Tighten both jam nuts on the turnbuckle.



Turnbuckle Adjustment  
 Figure 12-44

**Position the Limit Switch Rod Arm**

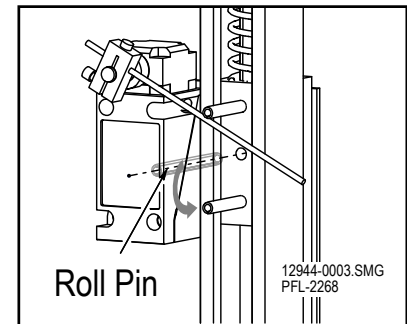
1. Adjust the limit switch rod arm to **center** the limit switch rod arm between the two roll pins on the UHMW slide block. See Figure 12-44.
2. Make sure that when all tension on the chain is released (e.g., the chain breaks) that the roll pins engage the limit switch rod and activate the switch.

**NOTE**

On VRCs with a high load capacity or over 20' (6,10 m) tall, limit switch may activate intermittently. If this occurs, move the lower roll pin to the lower hole in the chain tensioner block. Readjust the limit switch rod arm to the center of the roll pins. See Figure 12-45.

**Review for Interference**

Make sure the carriage is able to rise 6" (152mm) without interference. Verify that the carriage is level and the chains are equally tight.



Limit Switch Adjustment  
 Figure 12-45



## **WARNING**

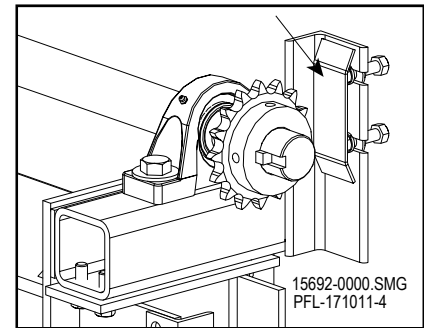
Carriage drop hazard! Before operating the VRC, replace the setscrew in the safety cam with the previously removed hex head screw and washer. Otherwise the safety cam will not function.

### Final Steps - Inspect and Verify

### Reinstall the Chain Jump Guides

### Tighten Bolts

1. Make sure both safety cam setscrews are removed and replaced with the previously removed hex head screw and washer.
2. Reinstall the chain jump guides. See Figure 12-46.
3. Adjust the chain jump guides to 1/4" (6mm) away from the lift chain.
4. Torque the 1/2-13 drivebase mounting bolts to 49 lb-ft (66 N-m).
5. Torque the 5/8-11 safety cam mounting bolts to 150 lb-ft (203 N-m).
6. Torque the 5/8-11 wheelblock mounting bolts to 150 lb-ft (203 N-m).
7. Torque the 5/8-11 x 2-1/4" grade 8 safety cam shoe bolts to 150lb-ft (203 N-m).
8. Apply Loctite® Blue 242® Threadlocker to all split collar setscrews on the motor drivebase and torque to 28 lb-ft (38 N-m).
9. Tighten all other bolts.



Reinstall the Chain Jump Guides  
Figure 12-46

### Complete Field Welding

All field welding must conform to the latest edition of AWS D1.1. The weld filler material is to be a minimum of E60xx.

- Fully weld all braces.
- Final weld spliced columns (if applicable).
- Weld the drivebase assembly to the columns.



**Before You Begin**

**Read this entire manual. Verify the job site dimensions against the PFlow Industries, Inc. General Arrangement (GA) drawing before starting the installation. If the site conditions do not match the GA drawing, please consult the PFlow Industries, Inc. Customer Support Department.**



**! DANGER**

Falling column hazard! The installation of this equipment requires a qualified installer with extensive knowledge and experience on how to rig, erect, and support structural steel. Be sure to properly support the columns, posts, and panels during installation. The carriage and safety cams can not prevent the columns from falling. Do not depend on the base plates or feet to prevent the columns, posts, and panels from falling.

**NOTICE**

A qualified person is defined as a person who, by possession of a recognized degree or certificate of professional standing, or by extensive knowledge, training, and experience, has successfully demonstrated his/her ability to solve problems relating to the subject matter and work.

**! CAUTION**



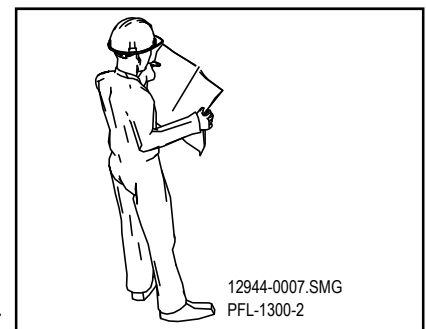
Lifting hazard! Components and accessories may be heavy. Use the appropriate lifting apparatus or get help when moving or lifting.

**Required Anchoring and Bracing Guidelines**

Anchoring and bracing of the Vertical Reciprocating Conveyor (VRC) is **required**. Illustrations in this section are to be used for reference only. Job site conditions may require a different alternative to those PFlow Industries, Inc. suggests in this document. A job specific bracing drawing may be provided. Verify drawing details prior to beginning any field bracing work. Before any final field welding is done, verify that the VRC columns and drivebase are aligned correctly.

All field welding must conform to the latest edition of AWS D1.1. The weld filler material is to be a minimum of E60xx.

- Fully weld horizontal floor braces.
- Fully weld support bracing at upper levels (unless shown otherwise).
- Fully weld all VRC connections and drive base mounting angles.



12944-0007.SMG  
 PFL-1300-2

Review GA Drawing  
 Figure 13-1

**Side-to-Side and Front-to-Back Bracing**

Side-to-side and front-to-back bracing of the Vertical Reciprocating Conveyor (VRC) is required. **Maintain a minimum of 5/8" clearance from the edge of the guide angle to prevent wheelblock interference.**

Bracing of the VRC and enclosures is the responsibility of the installer.

It is the customer's responsibility to make sure that the job site conditions have a structure with enough strength to be used for bracing in order to withstand the forces of weight and gravity.

**Install Gusset Bracing**

Some jobs require the installation of gussets. These plates will be included in the parts crate. Place one (1) gusset inside the column, directly in line with each point where a bracing member meets the column. Fillet weld all three (3) edges. See Figure 13-3 and Figure 13-4.

**NOTE** *If PFlow Industries, Inc. prepared seismic bracing materials, the bracing requirements and the General Arrangement (GA) drawing are provided in the shipping packet.*

**NOTICE** PFlow Industries, Inc. does not supply anchor bolts nor guarantee that the above material is sufficient for the application. It is the installer's responsibility to verify the information included in the shipping packet prior to commencing work.

Use minimum 1/2" x 4" stud type expansion bolts when anchor beam base plates are used.

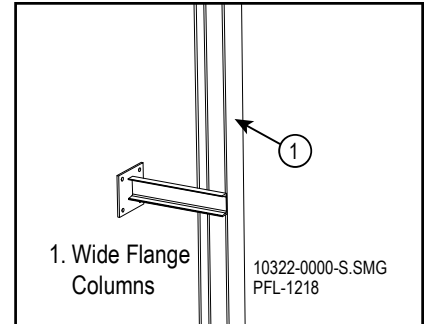
**Bracing Supplies**

Typically, for a two-level VRC, PFlow Industries, Inc. supplies:

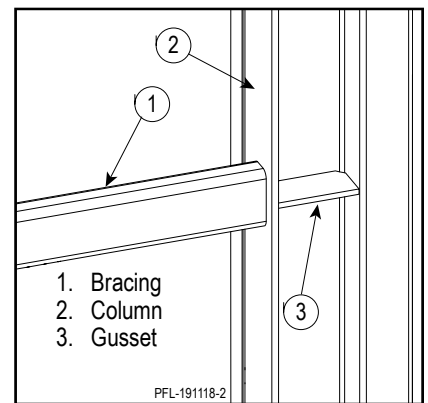
- (2) 10' (3,048 m) lengths of 4" (102mm) channel or
- (2) 10' (3,048 m) lengths of wall tube 2" x 4" x 1/4" (51mm x 102mm x 6mm)
- (2) 10' (3,048 m) lengths of angle per supplied gate 1-1/2" x 1-1/2" x 1/8" (38mm x 38mm x 3mm)
- (2) to (4) mounting plates

Each additional level is supplied with the following:

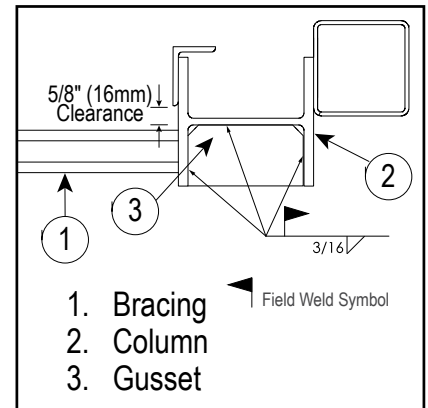
- (1) 10' (3,048 m) length of channel or
- (1) 10' (3,048 m) length of wall tube 2" x 4" x 1/4" (51mm x 102mm x 6mm)
- (1) 10' (3,048 m) length of angle per supplied gate 1-1/2" x 1-1/2" x 1/8" (38mm x 38mm x 3mm)
- (2) mounting plates



Bracing Columns  
Figure 13-2



Bracing Columns  
Figure 13-3



Bracing Columns  
Figure 13-4

Anchoring Guidelines

<p>12944-0009.SMG PFL-1235</p>	<p>12944-0009.SMG PFL-1231</p>
<p>Using a tie plate Figure 13-3</p>	<p>Welding to a curb angle Figure 13-4</p>
<p>12944-0009.SMG PFL-1238</p>	<p>12944-0009.SMG PFL-1240</p>
<p>Anchoring to a wood floor - through bolting Figure 13-5</p>	<p>Anchoring to a CMU wall with backing plates Figure 13-6</p>
<p>12944-0009.SMG PFL-1241</p>	<p>12944-0009.SMG PFL-1239</p>
<p>Anchoring to a wooden floor (preferred method) Figure 13-7</p>	<p>Anchoring to a wooden floor (not recommended) Figure 13-8</p>
<p>12944-0009.SMG PFL-1227</p>	<p>12944-0009.SMG PFL-1232</p> <p>12944-0009.SMG PFL-1234</p>
<p>Anchoring to CMU wall (not recommended) Figure 13-9</p>	<p>Anchoring mounting plate to solid floor Figure 13-10</p>





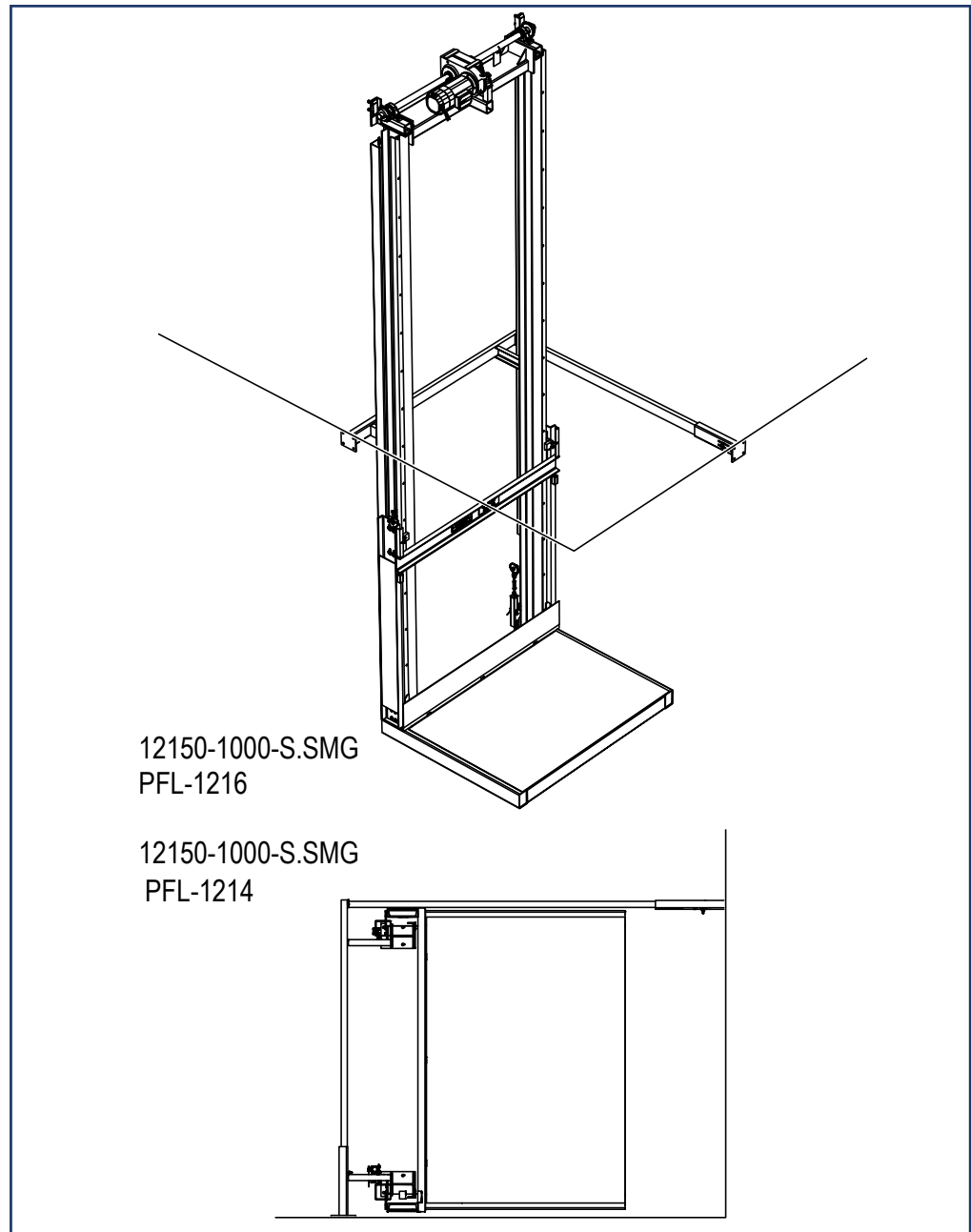
Bracing Guidelines

The following guidelines illustrate acceptable methods of attaching bracing to a building. **Maintain a minimum of 5/8" clearance from the edge of the guide angle to prevent roller guide wheelblock interference.**



**! DANGER**

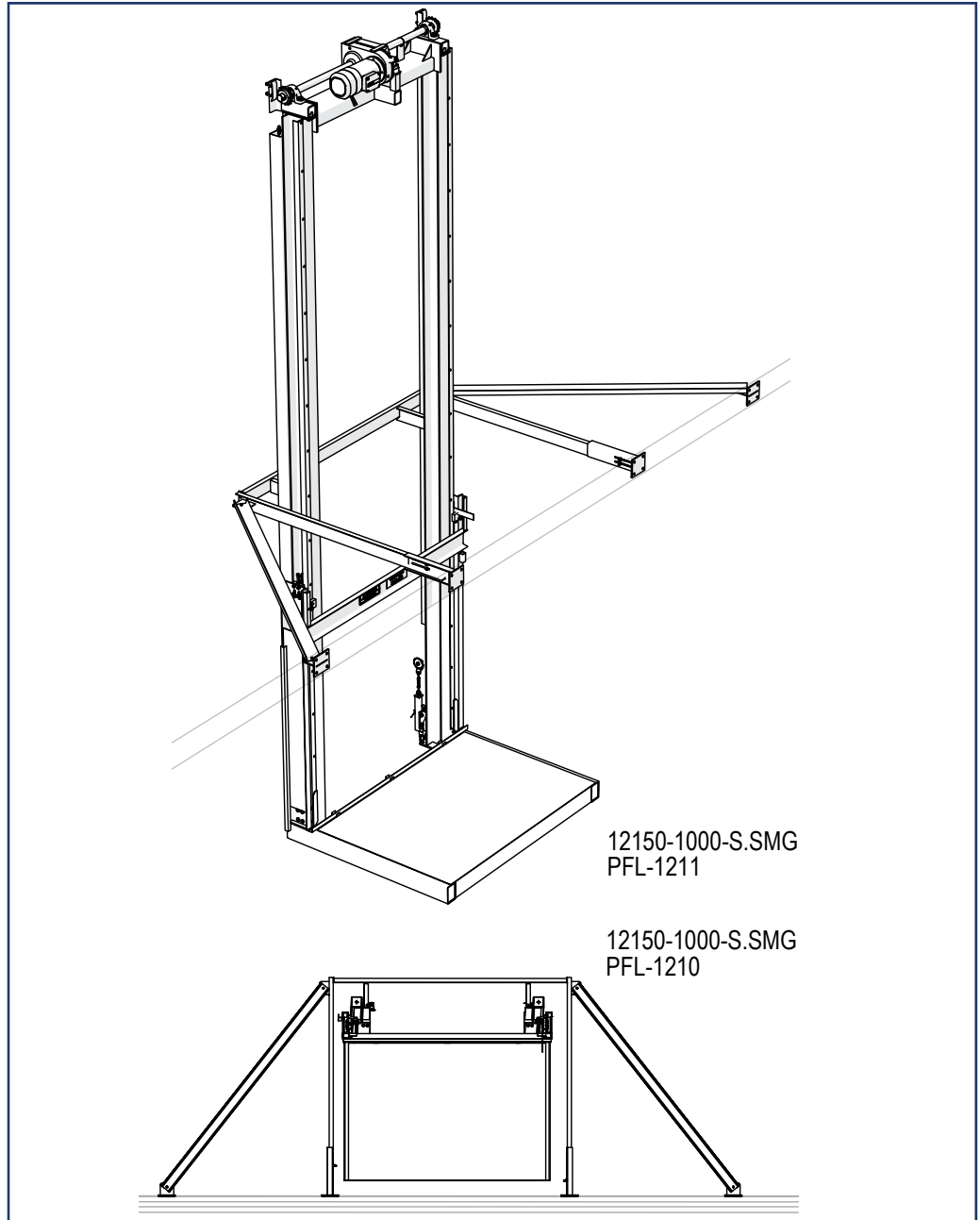
Falling column hazard! To avoid serious personal injury or death, do not lift the carriage or load the carriage until the VRC bracing is adequately sized and welded.



In a Corner  
Figure 13-11

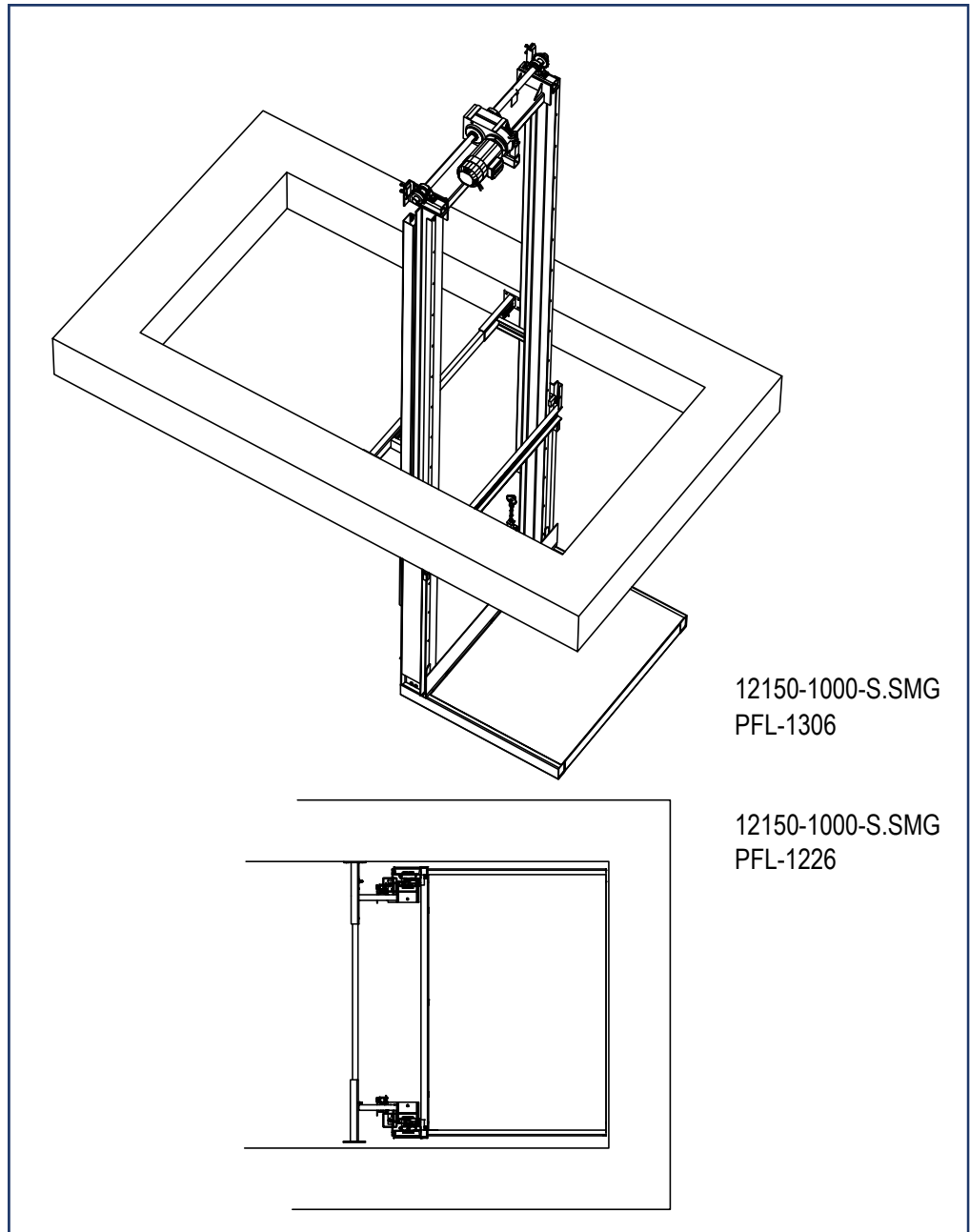


Bracing Guidelines



Facing a Mezzanine  
Figure 13-12

Bracing Guidelines



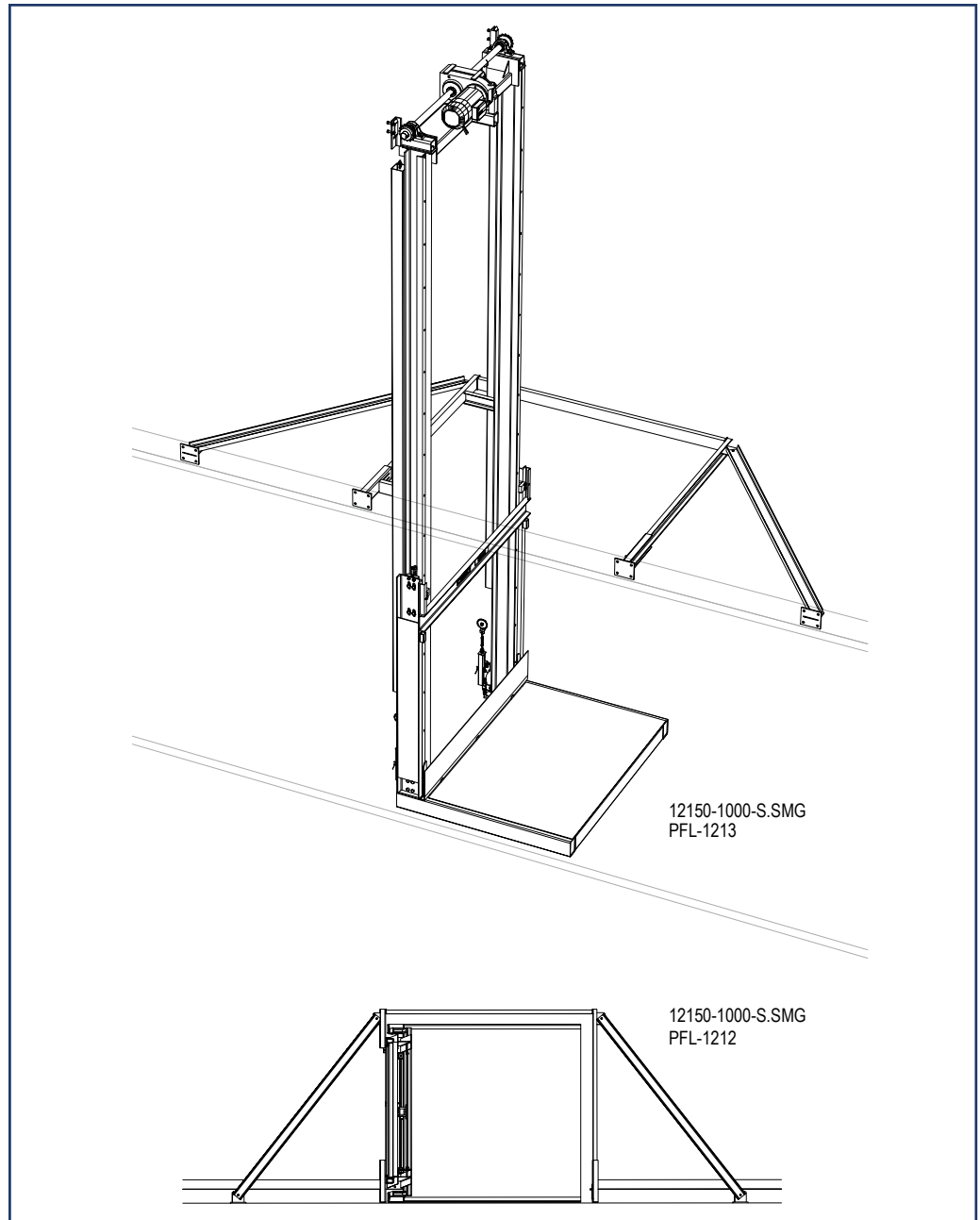
12150-1000-S.SMG  
PFL-1306

12150-1000-S.SMG  
PFL-1226

Through a Cutout or Oversized Hole  
Figure 13-13



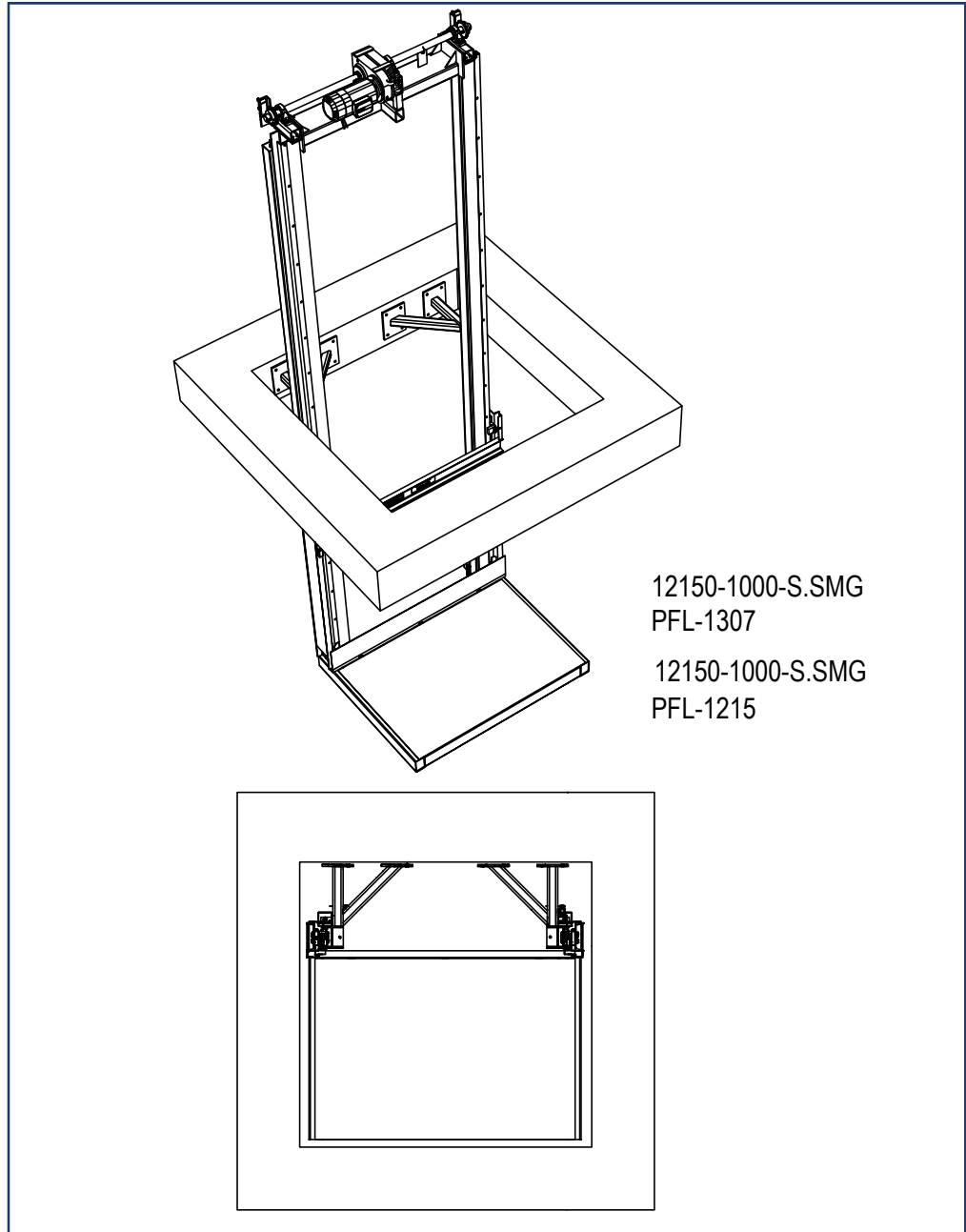
Bracing Guidelines



Alongside a Mezzanine  
Figure 13-14

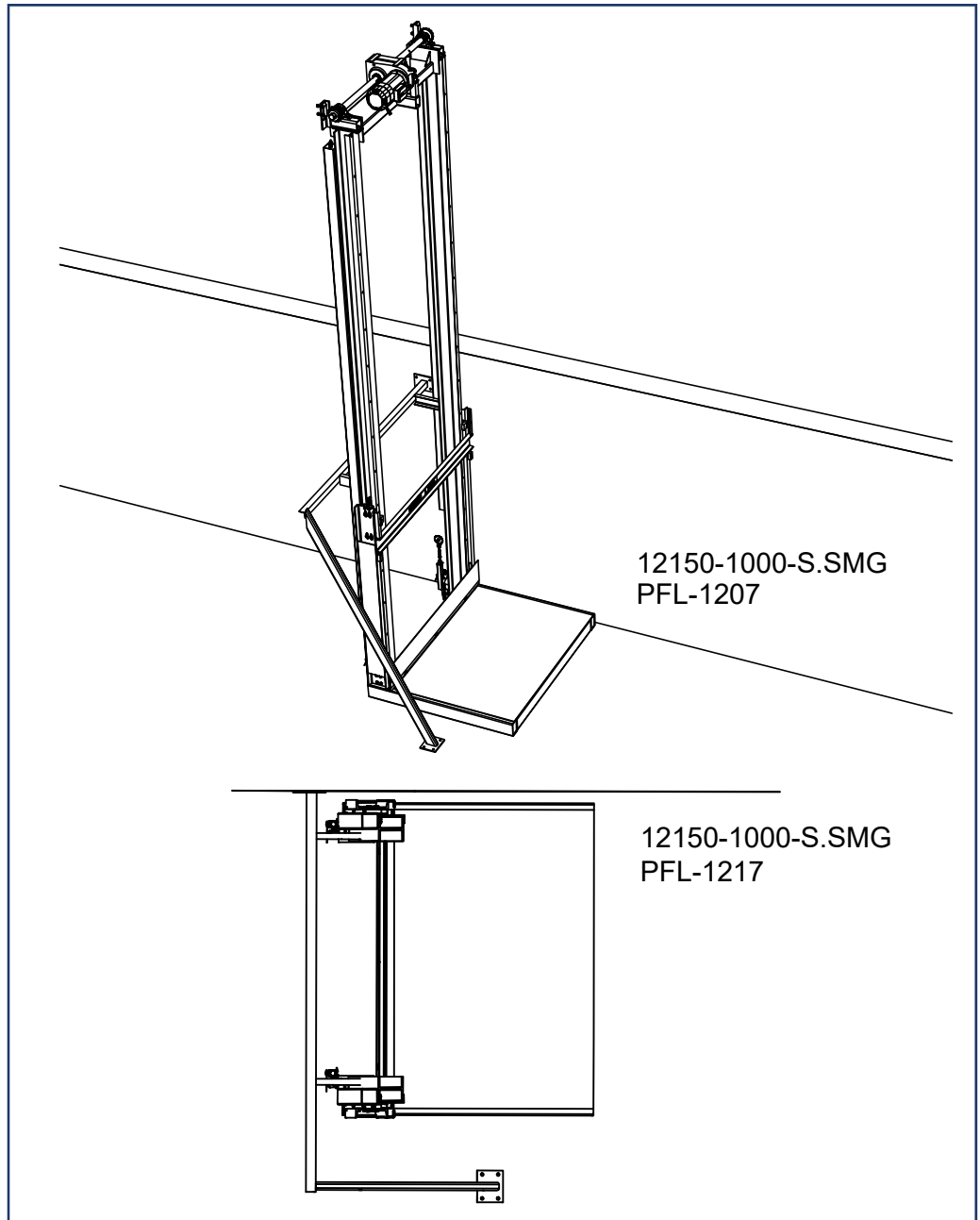


Bracing Guidelines



Through a Floor  
Figure 13-15

Bracing Guidelines



To a Mezzanine with a Drop Leg  
Figure 13-16







**Before You Begin**

*Read this entire manual. Verify the job site dimensions against the PFlow Industries, Inc. General Arrangement (GA) drawing before starting the installation. If the site conditions do not match the GA drawing, please consult the PFlow Industries, Inc. Customer Support Department.*

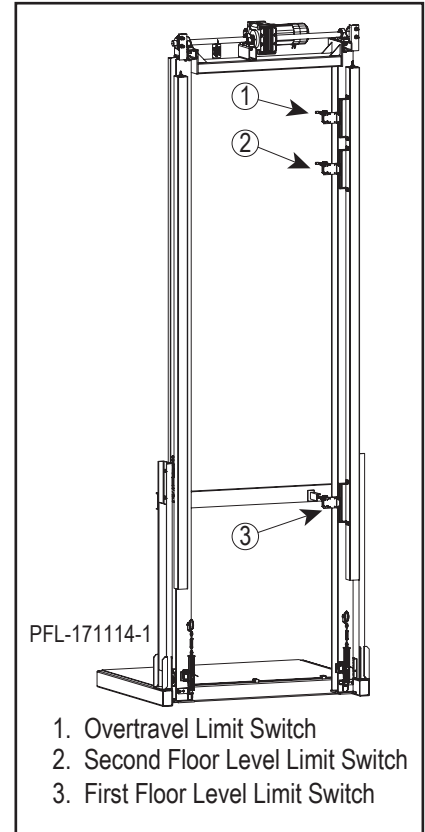
**Two-Level Limit Switches**

The standard Vertical Reciprocating Conveyor (VRC) incorporates one (1) limit switch at each level and one (1) overtravel limit switch to stop the carriage. See Figure 14-1.

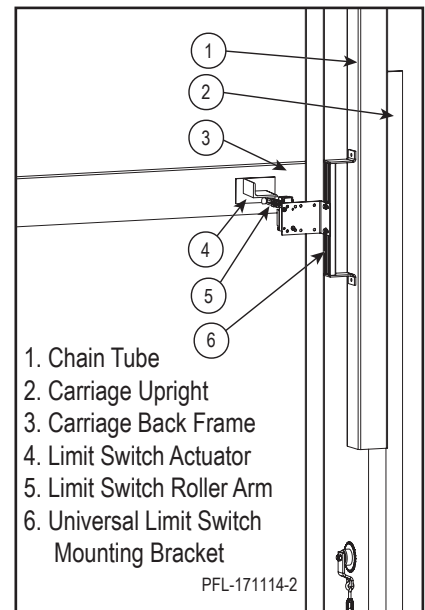
The following instructions and diagrams are the most commonly used method of mounting the limit switches. Due to varying site conditions, the instructions and diagrams may not apply to all applications.

**Install the Lower Level Limit Switch**

1. Position the carriage at the desired first level.
2. Center the feet of the first floor level limit switch mounting bracket from left to right on the chain tube. Clamp the bracket in place. See Figure 14-2.
3. Position the limit switch actuator on the carriage back frame to allow the limit switch roller arm to contact the **bottom** of the actuator while limit switch roller arm is in the **down** position. See Figure 14-2.
4. Review the travel length of the carriage up the column to make sure there are no obstructions for the limit switch actuator as it travels from level to level.
5. Tack weld the limit switch actuator and bracket into place. **Do not finish weld at this time.**



Limit Switch Locations  
Figure 14-1

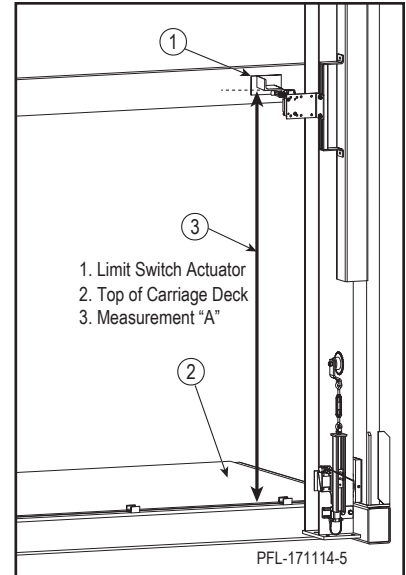


First Level Limit Switch  
Figure 14-2

**Make Needed Measurements**

Measure the distance from the top of the carriage deck to the bottom plate of the limit switch actuator. See Figure 14-3. Measurement “A” is needed to determine the location of the upper level limit switch.

The limit switch actuator should make contact with the limit switch roller arm. The roller arm is adjustable, and repositioning may be required to ensure proper contact.

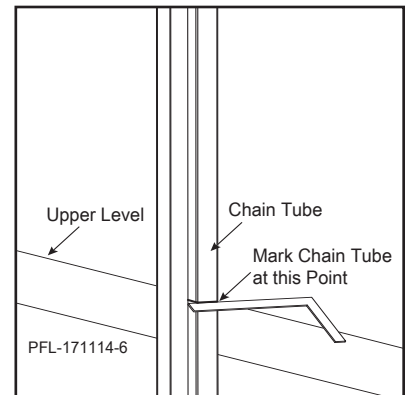


Measurement Needed  
Figure 14-3

**Install the Second Level Limit Switch**

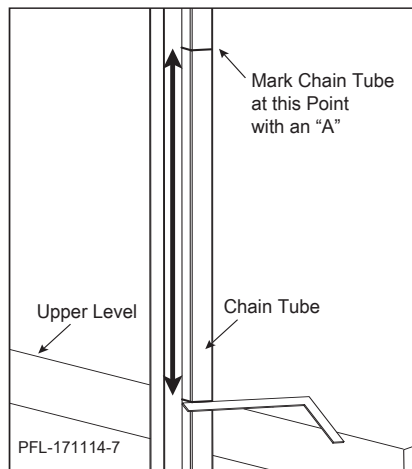
1. Mark the chain tube at the upper floor level using a long straightedge. See Figure 14-4. This position is where the carriage deck is when the carriage is stopped at that level.
2. Add measurement “A” above the floor level and mark the chain tube. See Figure 14-5.
3. Center the upper level limit switch assembly vertically on the chain tube at mark “A”.
4. Center the feet of the upper level limit switch assembly from right to left on the chain tube.

**NOTE** The upper level limit switch operates in the upward direction contacting the **top** of the limit switch actuator. See Figure 14-6.

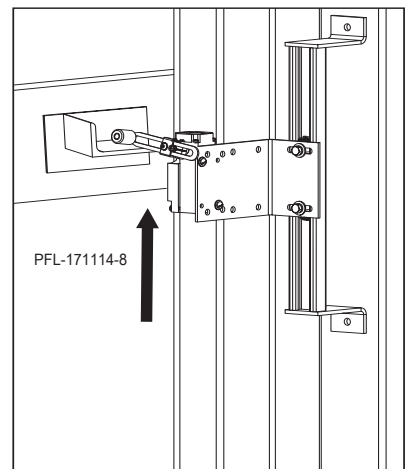


Upper Level Position  
Figure 14-4

5. Tack weld the limit switch assembly into place. **Do not finish weld at this time.**



Upper Level Limit Switch Position  
Figure 14-5



Upper Level Limit Switch Position  
Figure 14-6

**Install the Overtravel Limit Switch**

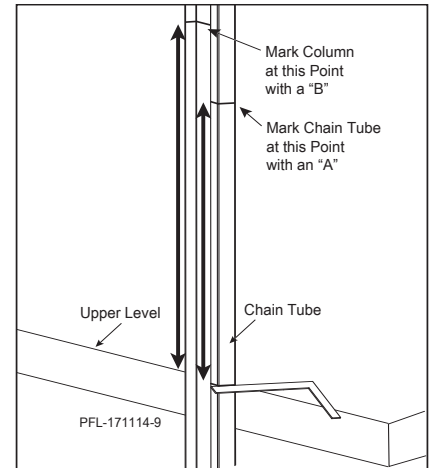
1. Measure the distance from the **top** of the carriage deck to the highest point of either the **top** of the carriage side rail or the **top** of the carriage back frame. Measurement “B” is needed to determine the location of the overtravel limit switch.
2. Add measurement “B” above the floor level and mark the **column** at the upper level. See Figure 14-7.
3. Center the overtravel limit switch assembly vertically on the **column** at mark “B”.
4. Center the overtravel limit switch assembly from right to left on the **column**. See Figure 14-8 if making contact with the top of the **carriage side rails**. See Figure 14-9 if making contact with the top of the **carriage back frame**.

**NOTE** *The overtravel limit switch operates in the upward direction contacting the top of the carriage side rail or the top of the carriage back frame.*

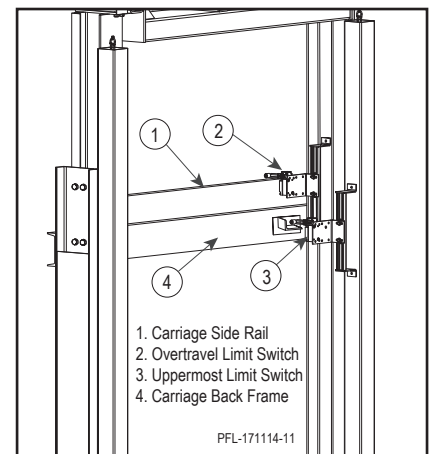
5. If the overtravel limit switch is positioned to operate when making contact with the top of the carriage back frame, reposition the limit switch and extend the switch roller arm. See Figure 14-9.
6. Tack weld the overtravel limit switch assembly into place.
7. Tighten the positioning bolts on the overtravel limit switch assembly.

**Finish Weld**

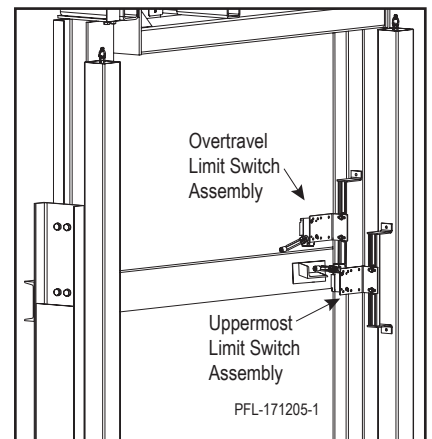
Finish weld the limit switch actuator and all unistrut mounts.



Overtravel Limit Switch Position  
Figure 14-7



Overtravel Limit Switch Position  
Figure 14-8



Overtravel Limit Switch Position  
Figure 14-9

**Before You Begin**

*Read this entire manual. Verify the job site dimensions against the PFlow Industries, Inc. General Arrangement (GA) drawing before starting the installation. If the site conditions do not match the GA drawing, please consult the PFlow Industries, Inc. Customer Support Department.*

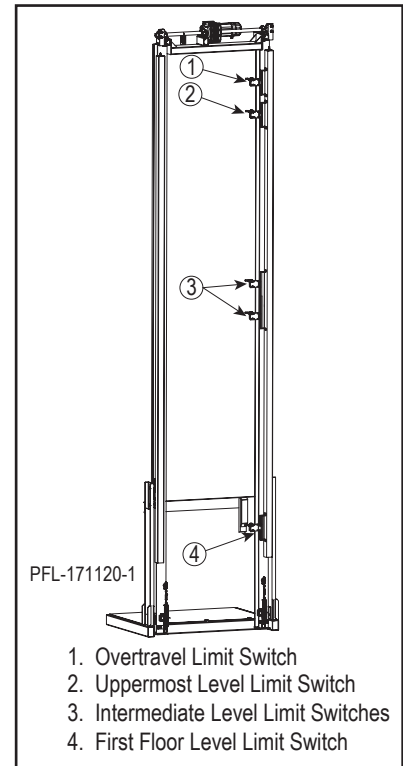
**Three-Level or More Limit Switches**

The standard Vertical Reciprocating Conveyor (VRC) incorporates one (1) limit switch at the lower level, two (2) limit switches at each intermediate level, one (1) limit switch at the uppermost level, and one (1) overtravel limit switch to stop the carriage. See Figure 14-10.

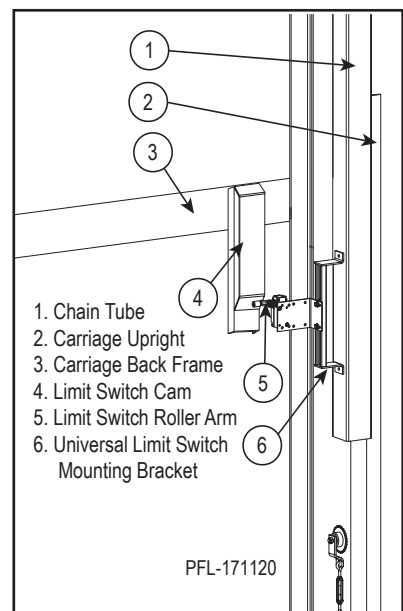
The following instructions and diagrams are the most commonly used method of mounting the limit switches. Due to varying site conditions, the instructions and diagrams may not apply to all applications.

**Install the Lower Level Limit Switch**

1. Position the carriage at the desired first level.
2. Center the feet of the first floor level limit switch mounting bracket from left to right on the chain tube. Clamp the bracket in place. See Figure 14-11.
3. Position the limit switch cam on the carriage back frame to allow the limit switch roller arm to contact the **bottom** of the cam while the limit switch roller arm is in the **down** position. See Figure 14-11.
4. Review the travel length of the carriage up the column to make sure there are no obstructions for the limit switch cam as it travels from level to level.
5. Tack weld the limit switch cam and bracket into place. **Do not finish weld at this time.**



Limit Switch Locations  
Figure 14-10



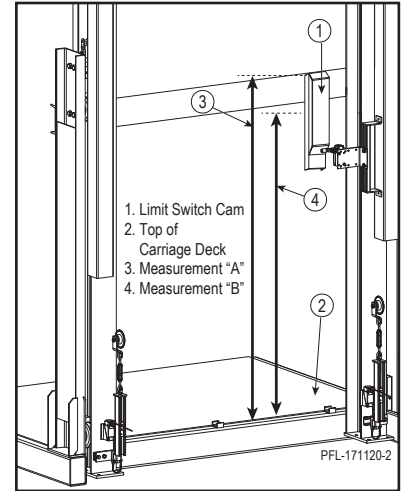
First Level Limit Switch  
Figure 14-11

**Make Needed Measurements**

Measure the distance from the top of the carriage deck to the top angle of the limit switch cam. See Figure 14-12. Measurement “A” is needed to determine the location of the uppermost level limit switch.

Measure the distance from the top of the carriage deck to the center of the limit switch cam. See Figure 14-12. Measurement “B” is needed to determine the location of the intermediate level limit switch.

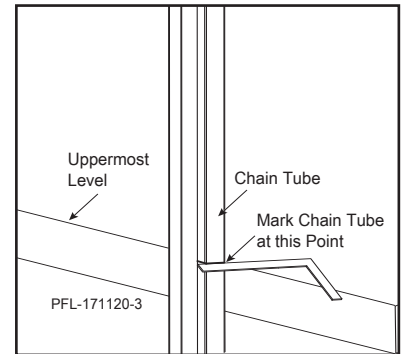
The limit switch cam should make contact with the limit switch roller arm. The roller arm is adjustable, and repositioning may be required to ensure proper contact.



Measurement Needed  
Figure 14-12

**Install the Uppermost Level Limit Switch**

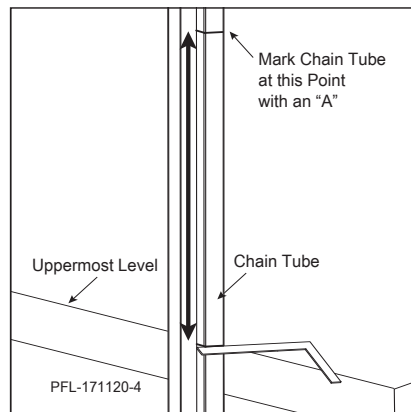
1. Mark the chain tube at the uppermost floor level using a long straightedge. See Figure 14-13. This position is where the carriage deck is when the carriage is stopped at that level.
2. Add measurement “A” above the floor level and mark the chain tube. See Figure 14-14.
3. Center the upper level limit switch assembly vertically on the chain tube at mark “A”.
4. Center the feet of the upper level limit switch assembly from right to left on the chain tube.



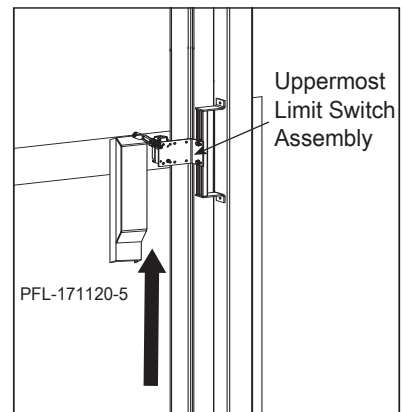
Uppermost Level Position  
Figure 14-13

**NOTE** The uppermost level limit switch operates in the upward direction contacting the **top** of the limit switch cam. See Figure 14-15.

5. Tack weld the uppermost level limit switch mounting bracket into place. **Do not finish weld at this time.**



Uppermost Level Limit Switch Position  
Figure 14-14



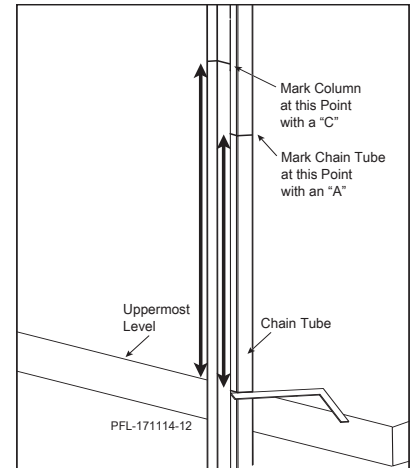
Uppermost Level Limit Switch Position  
Figure 14-15

### Install the Overtravel Limit Switch

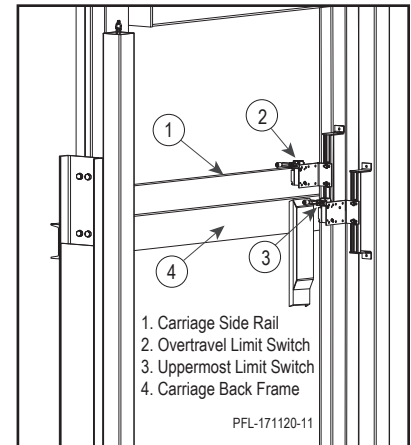
1. Measure the distance from the **top** of the carriage deck to the highest point of either the **top** of the carriage side rail or the **top** of the carriage back frame. Measurement “C” is needed to determine the location of the overtravel limit switch.
2. Add measurement “C” above the floor level and mark the **column** at the upper level. See Figure 14-16.
3. Center the overtravel limit switch assembly vertically on the **column** at mark “C”.
4. Center the overtravel limit switch assembly from right to left on the **column**. See Figure 14-17 if making contact with the top of the **carriage side rails**. See Figure 14-18 if making contact with the top of the **carriage back frame**.

**NOTE** *The overtravel limit switch operates in the upward direction contacting the **top** of the carriage side rails or **top** of the carriage back frame.*

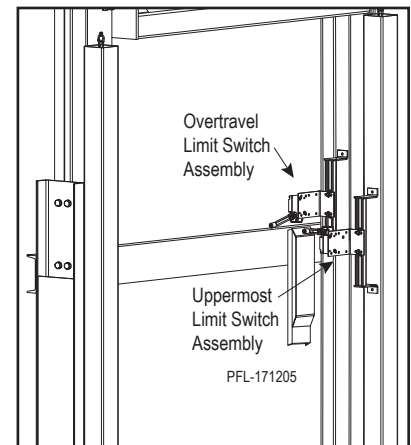
5. If the overtravel limit switch is positioned to operate when making contact with the top of the carriage back frame, reposition the limit switch and extend the switch roller arm. See Figure 14-18.
6. Tack weld the overtravel limit switch assembly into place. **Do not finish weld at this time.**
7. Tighten the positioning bolts on the overtravel limit switch assembly.



Overtravel Limit Switch Position  
Figure 14-16



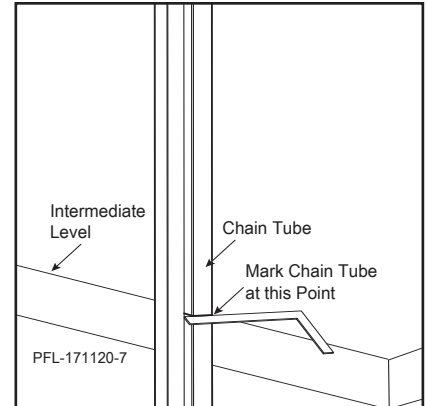
Overtravel Limit Switch Position  
Figure 14-17



Overtravel Limit Switch Position  
Figure 14-18

**Install the Intermediate Floor Level Limit Switch**

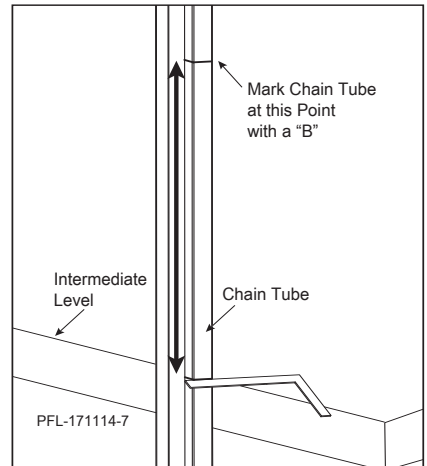
1. Mark the chain tube at each intermediate floor level using a long straightedge. This position is where the carriage deck is when the carriage is stopped at that level. See Figure 14-19.
2. Add measurement “B” above the floor level and mark the chain tube. See Figure 14-20.
3. Center the intermediate level limit switch assembly mounting bracket vertically on mark “B”.
4. Center the feet of the intermediate level limit switch assembly from right to left on the chain tube. See Figure 14-21.



Intermediate Floor Level Position  
Figure 14-19

**NOTE** *The carriage stops rising when the upper intermediate level limit switch contacts the **top** of the limit switch cam. The upper intermediate level limit switch is passive when the carriage is moving down.*

*The carriage stops lowering when the lower intermediate level limit switch contacts the **bottom** of the limit switch cam. The lower intermediate level limit switch is passive when the carriage is moving up. See Figure 14-21.*



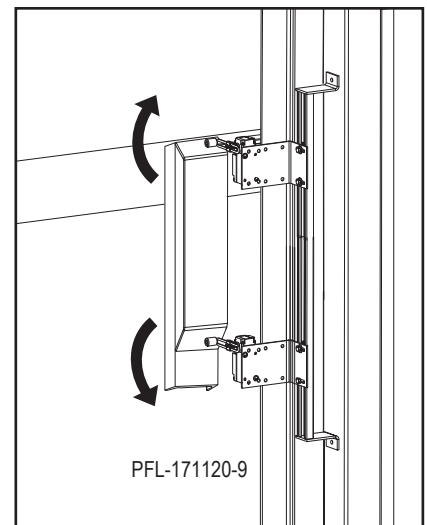
Intermediate Level Limit Switch Position  
Figure 14-20

5. Tack weld the intermediate limit switch mounting bracket into place. **Do not finish weld at this time.**

Repeat steps 1-5 for each intermediate floor level.

**Finish Weld**

Finish weld the limit switch cam and all unistrut mounts.



Intermediate Floor Level Limit Switch Positions  
Figure 14-21



## Section 14 | Three-Level Limit Switches



**MATERIAL HANDLING SOLUTIONS**

[www.pflow.com](http://www.pflow.com)  
P 414 352 9000  
F 414 352 9002  
6720 N. Teutonia Ave.  
Milwaukee, WI 53209



Sliding Gates

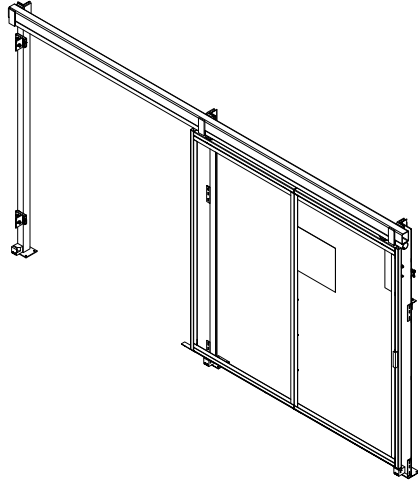


Figure 16-1  
Sliding Gate, Single Panel

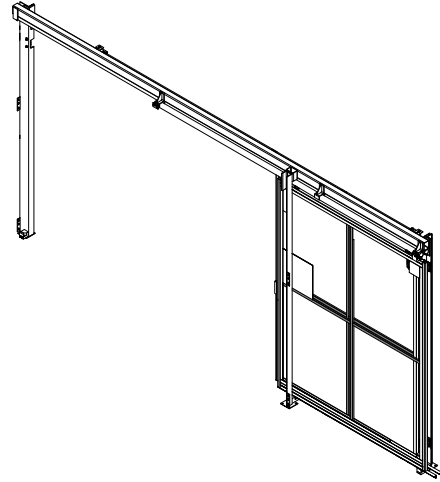


Figure 16-2  
Sliding Gate, Single Panel, Pneumatic

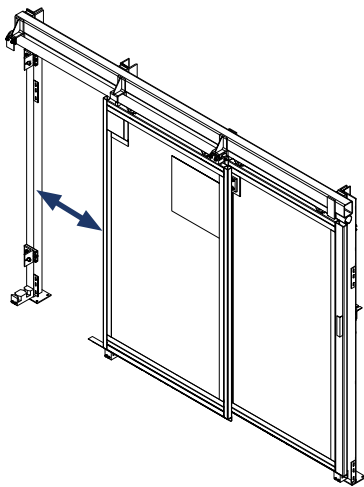


Figure 16-3  
Sliding Gate, Bi-Panel

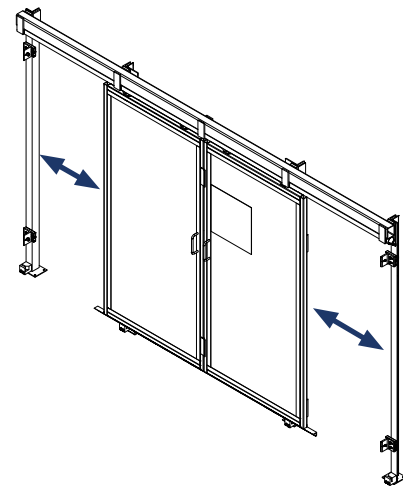


Figure 16-4  
Sliding Gate, Bi-Parting

Swing Gates

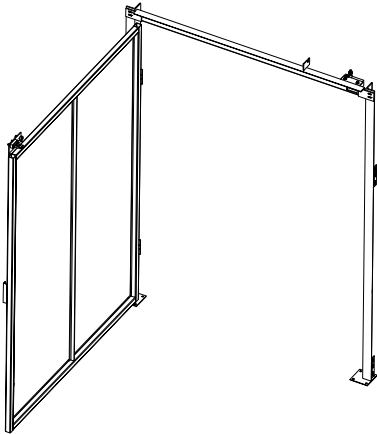


Figure 16-5  
Swing Gate, Single Panel

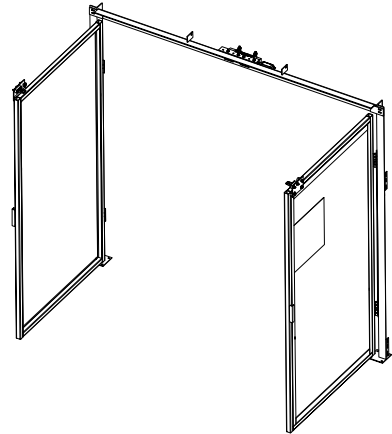


Figure 16-6  
Swing Gate, Bi-Parting

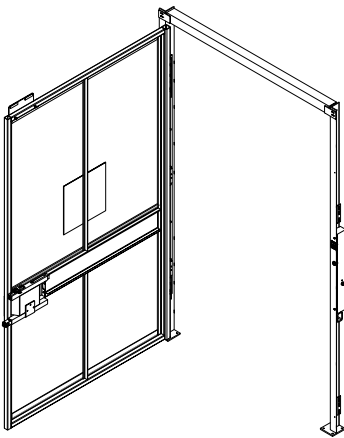


Figure 16-7  
Swing Gate, Single Panel, Floor Level, Slide Latch

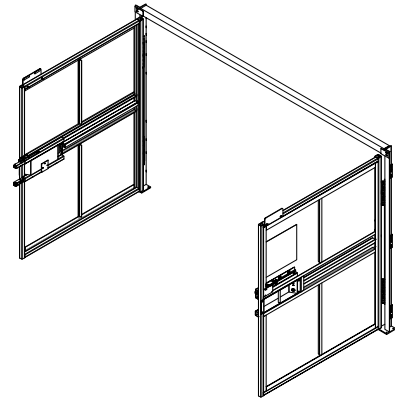


Figure 16-8  
Swing Gate, Bi-Swing, Floor Level, Slide Latch

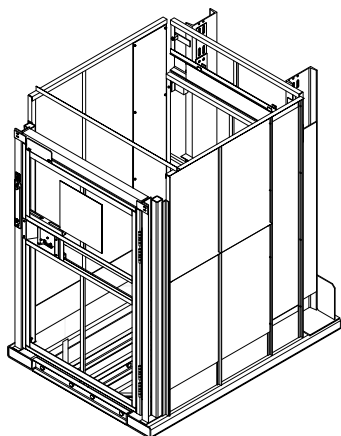


Figure 16-9  
Swing Gate, Single Panel, Carriage Mounted, Slide Latch

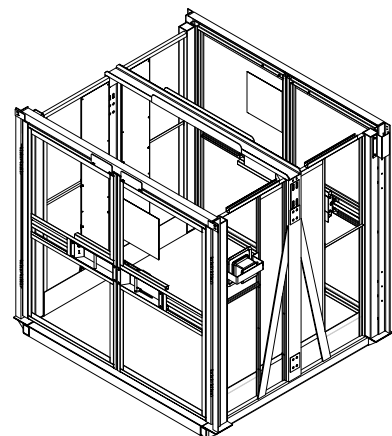


Figure 16-10  
Swing Gate, Bi-Swing, Carriage Mounted, Slide Latch

Vertical Acting Gates

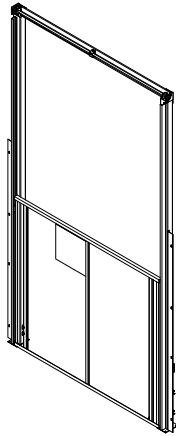


Figure 16-11  
Vertical Acting Gate, Single Panel

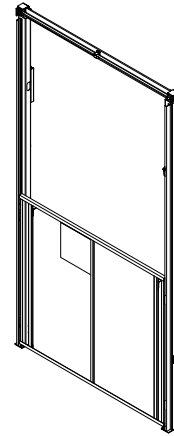


Figure 16-12  
Vertical Acting Gate, Single Panel, Carriage Mounted

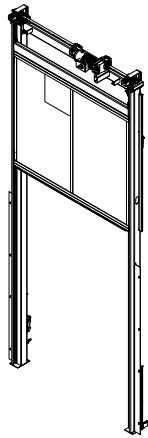


Figure 16-13  
Vertical Acting Gate, Single Panel, Motorized

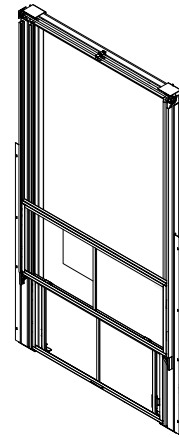


Figure 16-14  
Vertical Acting Gate, Bi-Panel

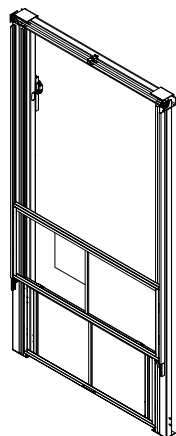


Figure 16-15  
Vertical Acting Gate, Bi-Panel, Carriage Mounted

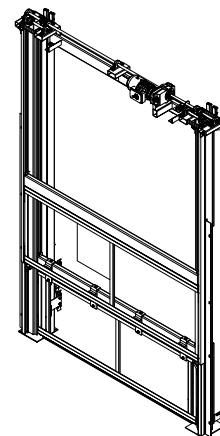


Figure 16-16  
Vertical Acting Gate, Bi-Panel, Motorized



**Installation Instructions**

Figure No.	Gate Type	Installation Instructions
<b>Sliding Gates</b>		
Figure 16-1	Sliding Gate, Single Panel	15709-0005
Figure 16-2	Sliding Gate, Single Panel, Pneumatic	**
Figure 16-3	Sliding Gate, Bi-Panel (both panels slide in the same direction)	15709-0005
Figure 16-4	Sliding Gate, Bi-Parting (panels slide in opposite directions)	15709-0005
<b>Swing Gates</b>		
Figure 16-5	Swing Gate, Single Panel	15709-0005
Figure 16-6	Swing Gate, Bi-Parting	15709-0005
Figure 16-7	Swing Gate, Single Panel, Floor Level, Slide Latch	15709-0120
Figure 16-8	Swing Gate, Bi-Swing, Floor Level, Slide Latch	15709-0126
Figure 16-8	Swing Gate, Single Panel, Carriage Mounted, Slide Latch	**
Figure 16-10	Swing Gate, Bi-Swing, Carriage Mounted, Slide Latch	**
<b>Vertical Acting Gates</b>		
Figure 16-11	Vertical Acting Gate, Single Panel	15709-0156
Figure 16-12	Vertical Acting Gate, Single Panel, Carriage Mounted	15709-0157
Figure 16-13	Vertical Acting Gate, Single Panel, Motorized	15709-0133
Figure 16-14	Vertical Acting Gate, Bi-Panel	15709-0014
Figure 16-15	Vertical Acting Gate, Bi-Panel, Carriage Mounted	15709-0163
Figure 16-16	Vertical Acting Gate, Bi-Panel, Motorized	15709-0143

\*\*Contact PFlow Industries, Inc. Customer Support Department

See job specific gate installation instructions included with your shipment. Gate installation instruction PDFs can also be found on our website at <https://www.pflow.com/knowledge-base>.





## Before You Begin

*Read this entire manual.*

*Before starting the installation, verify the job site dimensions and the dimensions of the delivered materials against the PFlow Industries, Inc. General Arrangement (GA) drawing. If the site conditions or the delivered materials do not match the GA drawing, please consult the PFlow Industries, Inc. Customer Support Department.*

### **WARNING**

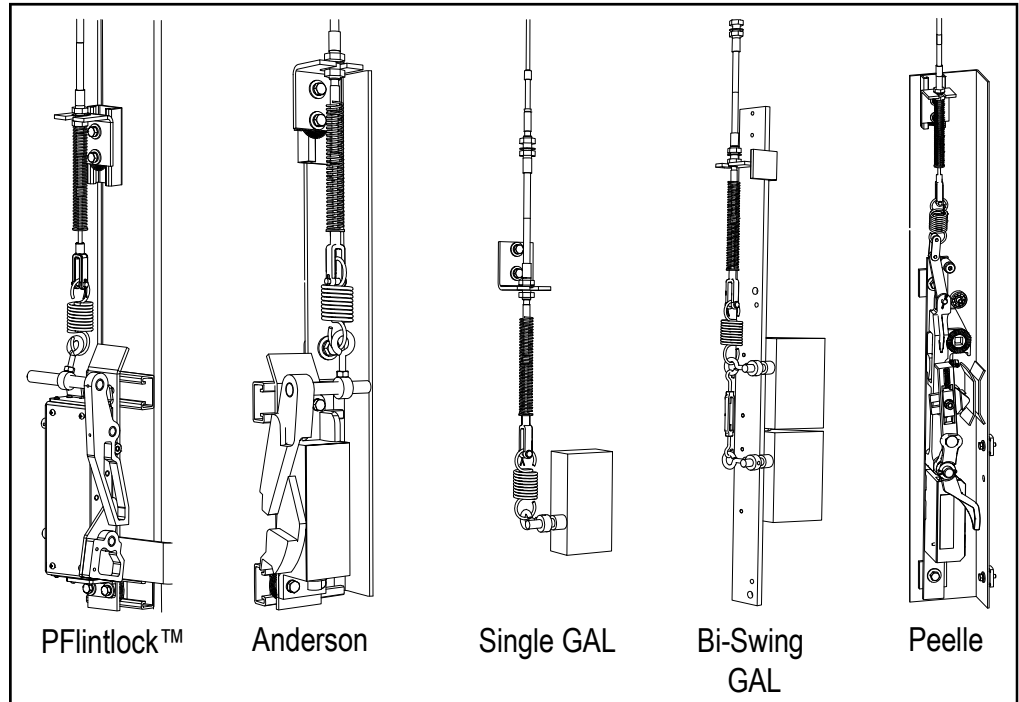
- Falling equipment hazard! The installation, maintenance, or servicing of this equipment requires qualified personnel with extensive knowledge and experience on how to rig, erect, and support structural steel.
-  Lockout/tagout equipment before performing any adjustments or maintenance. If the equipment is not locked out, it could start unexpectedly and cause injury or damage. **Make sure all personnel are aware of the potential for stored energy to be present even after the power has been locked out.** Refer to ANSI Z244.1 and OSHA 29 CFR 1910.147 for minimum requirements for a lockout/tagout system. There may be additional national, state, or local requirements.
-  Falling hazard! Close all gates before the carriage is moved. Never leave the lift unattended with the gates in the open position. Never close gates when a person is on the carriage or within the fenced area.
- Make sure the gate is, and remains, secured to prevent unsafe use of the gate. Always lock the gate panel closed if the gate area is unattended.

### **NOTICE**

A qualified person is defined as a person who, by possession of a recognized degree or certificate of professional standing, or by extensive knowledge, training, and experience, has successfully demonstrated his/her ability to solve problems relating to the subject matter and work.

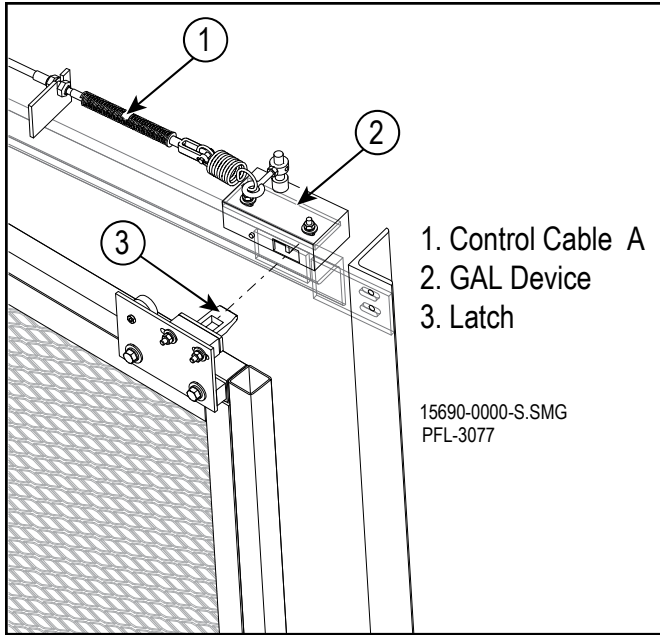
**The Purpose of the Gate Cable Interlock**

The electromechanical interlock is a safety device used to mechanically prevent the gate from opening. When the carriage is at that level and the gate is open, the VRC should not operate. Replacement components are only available as shown on the next few pages. Some configurations may vary by application. One of five (5) different manufacturer's components may be used for this installation. See Figure 17-1.

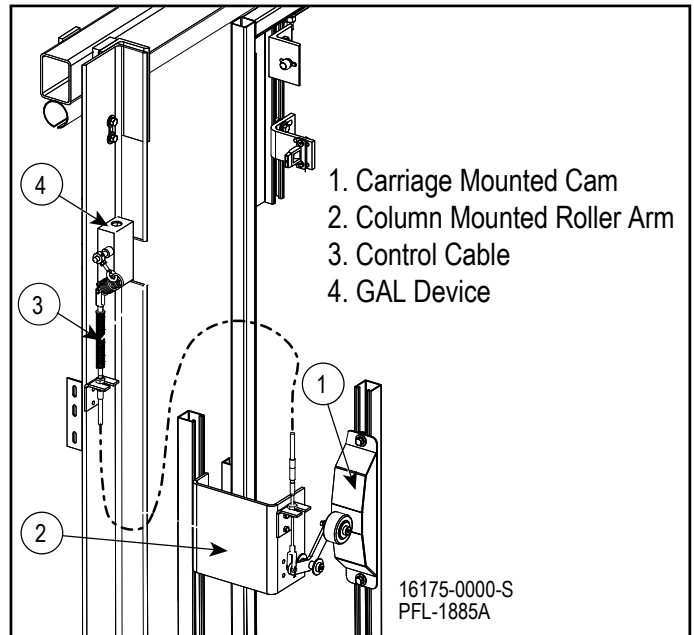


Cable Interlocks  
 Figure 17-1





GAL Interlock on Single Panel Swing Gate  
 Figure 17-2



GAL Interlock on Sliding Gate  
 Figure 17-3

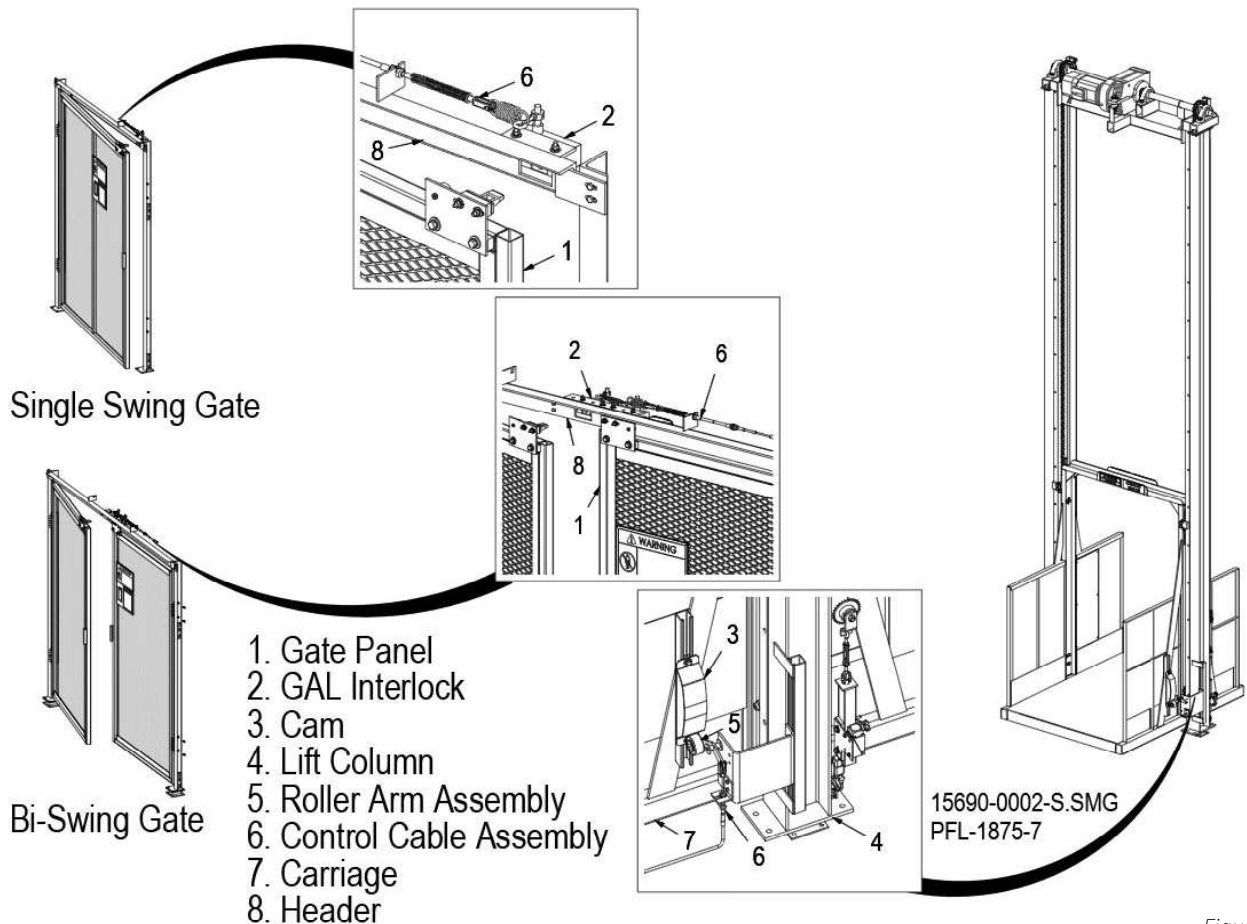


Figure 17-4

**General Descriptions**

The cable interlock consists of four (4) main items:

- Carriage Cam
- Column Mounted Roller Assembly
- Control Cable
- Gate Cable Interlock Assembly

**Carriage Cam**

The carriage cam is mounted on the carriage and positioned to activate the roller assembly. The roller must move freely on the inclined face of the carriage cam and allow the control cable to activate the interlock. See Figure 17-5.

**Column Mounted Roller Assembly**

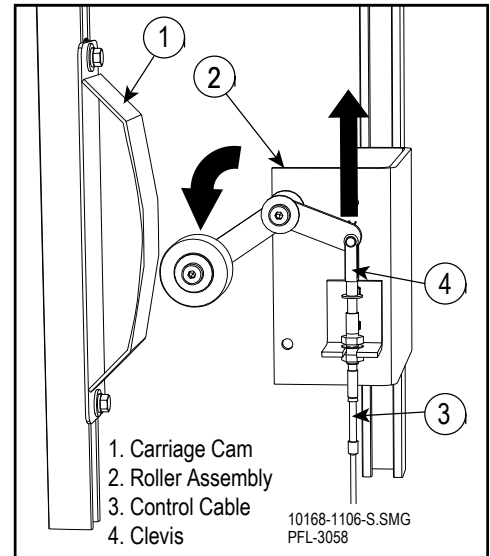
The roller assembly is mounted on the VRC column. The roller assembly must be positioned to allow the roller to make contact with the carriage cam. See Figure 17-5.

**Control Cable**

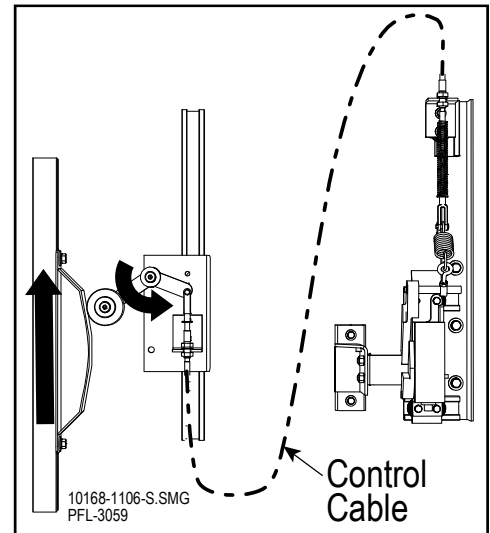
The control cable is a utility cable with threaded stainless steel end rods. The cable has a maximum 2" (51mm) travel. When the control cable is pulled by the roller assembly as it moves along the carriage cam, the interlock locking arm opens. When the control cable is pushed by the roller assembly as it moves along the carriage cam, the interlock locking arm locks into position. See Figure 17-6.

**Gate Cable Interlock Assembly**

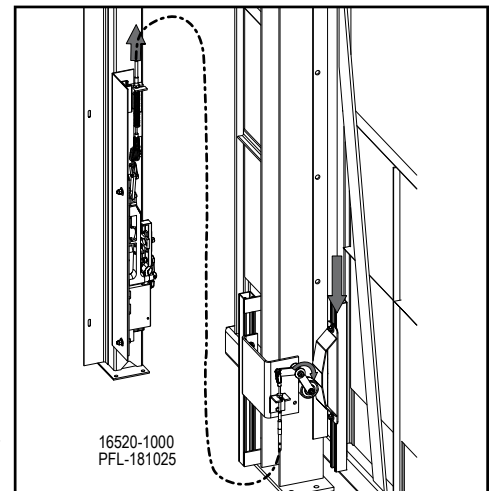
The gate cable interlock assembly is attached to the gate post. The travel of the cable is adjusted to permit the interlock to release the gate latch.



Roller Assembly Position  
 Figure 17-5

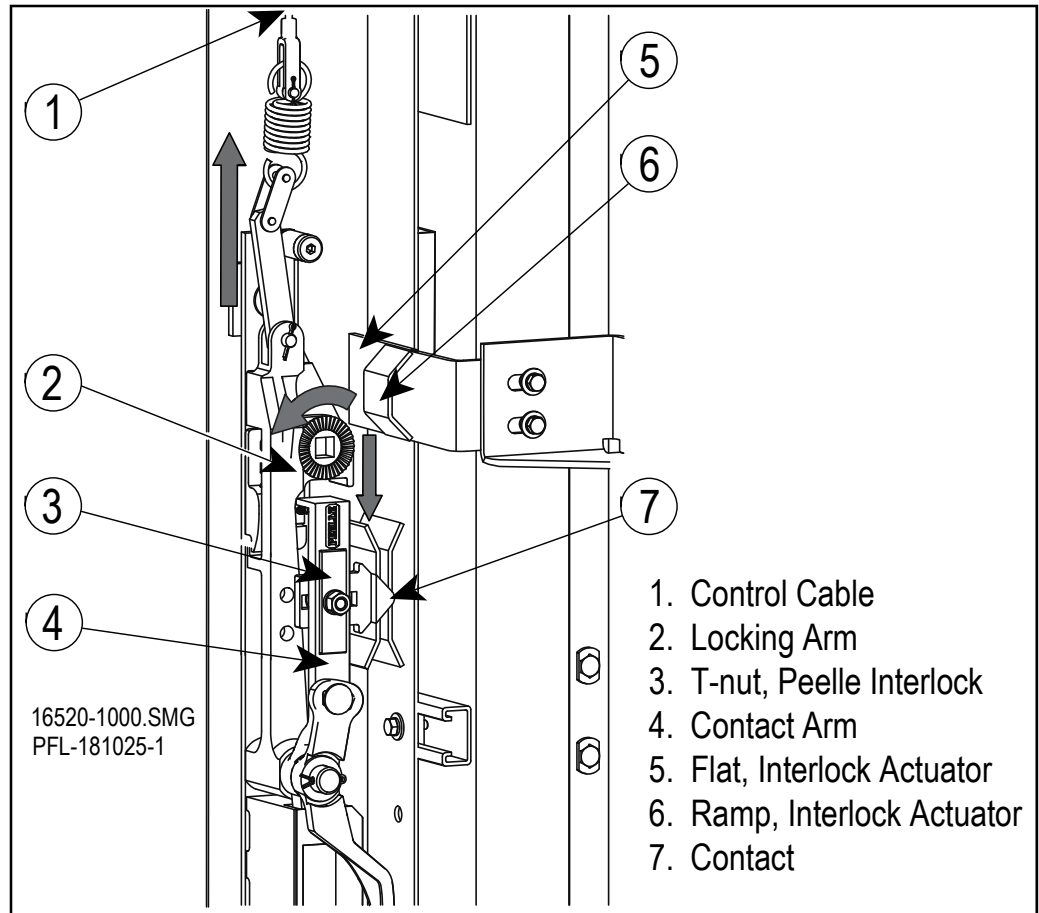


Control Cable Position  
 Figure 17-6



Pelle Interlock  
 Figure 17-7

Peelle Terms

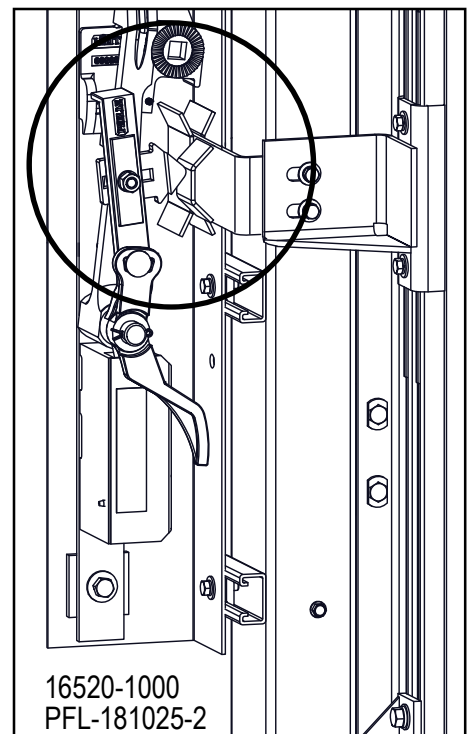


Peelle Interlock Open Position  
 Figure 17-8

The Peelle interlock contact arm assembly and locking arm assembly operate and move independently from each other. See Figure 17-8.

The locking arm assembly captures the gate panel interlock actuator flat to mechanically lock the gate panel closed. See Figure 17-9.

The contact arm assembly is moved by the gate panel interlock actuator to open or close the interlock electrical contacts.



Peelle Interlock Closed Position  
 Figure 17-9

## DANGER

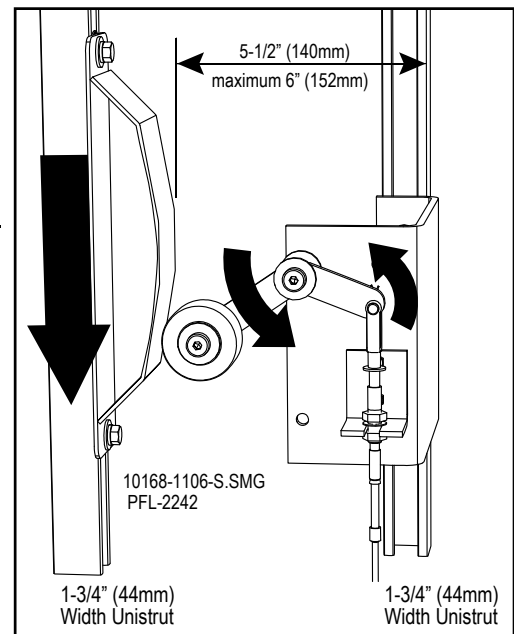
- Control cables are designed to be non-repairable. If the control cable is damaged or worn out, the interlock may not operate properly. These issues could prevent the interlock from engaging and allow the gate panel to stay open while the carriage is moving from one level to another.
- Protect the control cables from physical damage (e.g., kinking, vibration, sharp bends). Maintain a minimum bend radius of 12" (305mm). The control cable may not operate properly if the control cable is bent sharper than the 12" (305mm) radius. This could prevent the interlock from engaging and allow the gate panel to stay open while the carriage is moving from one level to another.

## WARNING

- If the control cable is damaged or worn out, the interlock may not operate properly.
  - Protect the control cables from physical damage (e.g., kinking, vibration, sharp bends). Do not extend cable travel beyond 2" (51mm).
  - Route excess gate interlock cables as straight as possible and do not spool in coils tighter than 28" (711mm).
  - Protect the control cables from chemical damage (paint, solvents, oils, water or ice, dirt, other contaminants.)
  - Replace worn or damaged control cables. Do not attempt to lubricate or repair. Signs of wear include frayed ends, sudden decrease in usable travel, and moisture in the control cable.

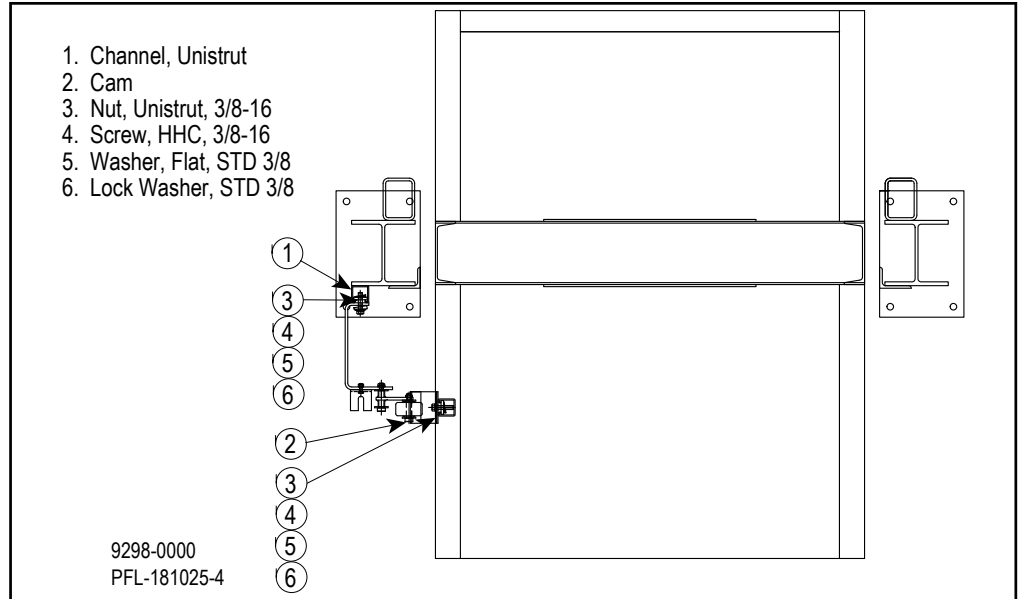
### Interlock Placement

When using 1-3/4" (44mm) width unistruts, the distance between the outside curve of the cam and the outside edge of the unistrut should be 5-1/2" (140mm) or a maximum of 6" (152mm). See Figure 17-10.



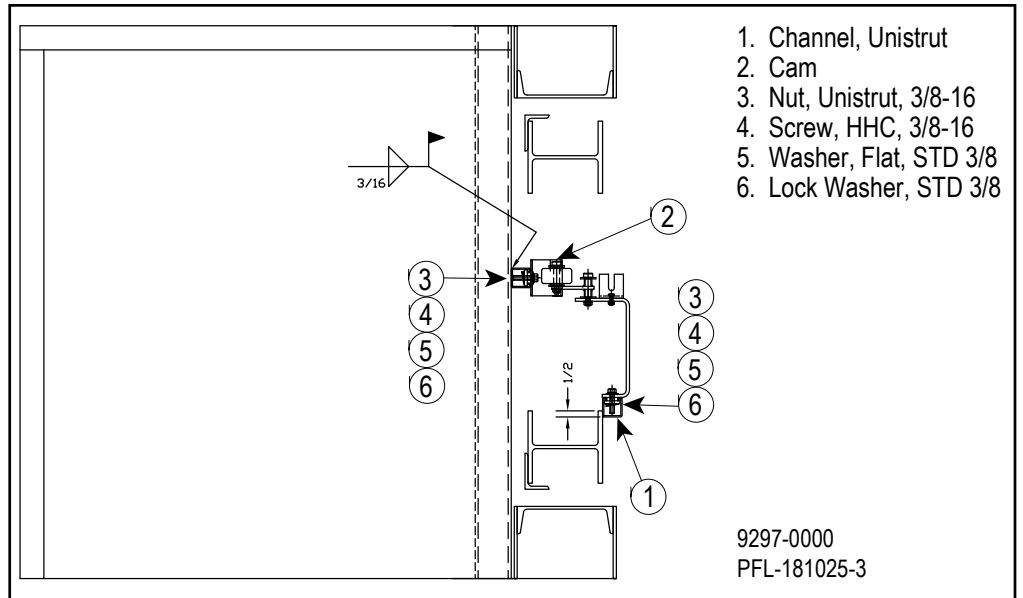
Interlock Position  
Figure 17-10

**Straddle Placement**



Straddle Placement  
 Figure 17-11

**Cantilever Placement**



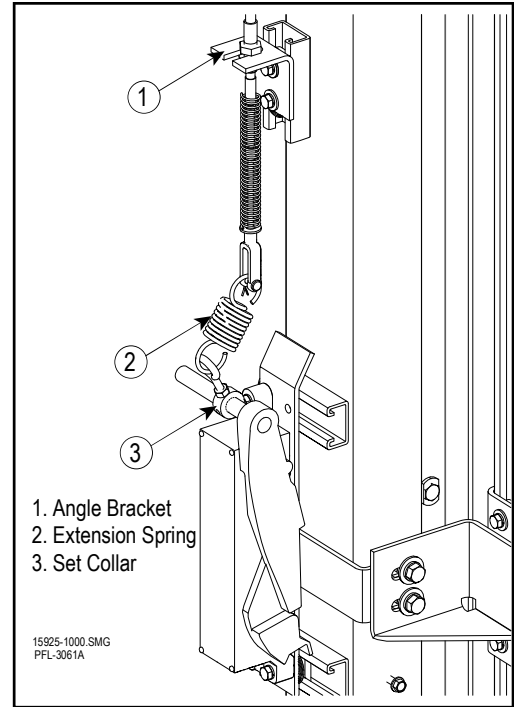
Cantilever Placement  
 Figure 17-12

**Adjust the Interlock Assembly**

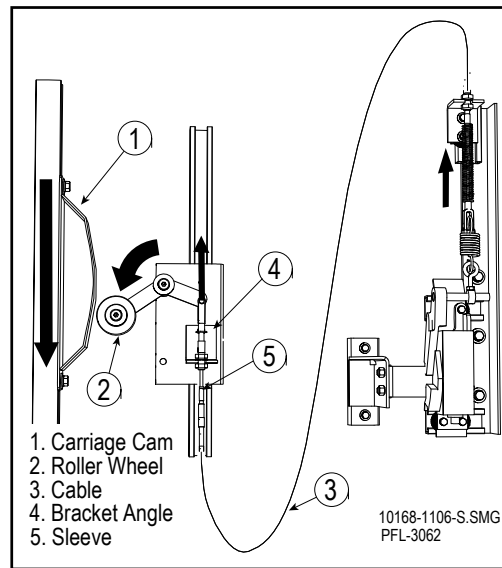
The tension on the extension spring should be adjusted by positioning the cable on the angle bracket. The activation of the interlock is also adjusted by the position on the set collar. See Figure 17-13.

**Adjust the Cam and Cable**

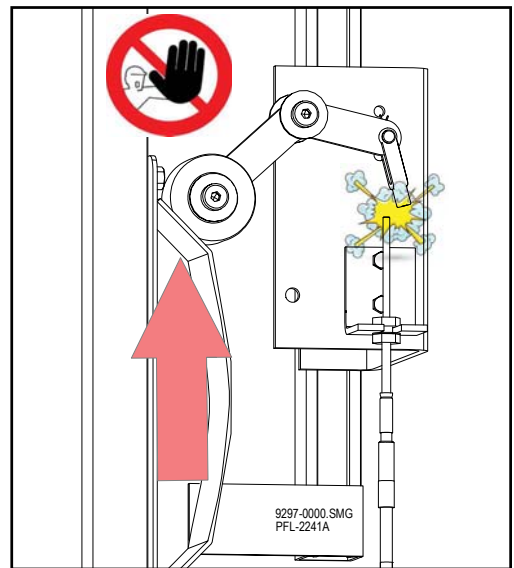
1. Adjust the carriage cam to allow + 3/4" cable travel [2" (51mm) maximum cable travel].
2. Make sure the roller wheel clears the edge of the cam.
3. Center the cable travel by positioning the cable in the bracket angle. See Figure 17-14.
4. The edge of the cam must not be past the center of the wheel toward the bracket. This could catch the wheel at the cam edge and break the cable clevis. See Figure 17-15.



Control Cable Position Figure 17-13



Adjust Roller Wheel (Anderson Shown) Figure 17-14



Watch Position of Roller Wheel (Anderson Shown) Figure 17-15



**! WARNING**

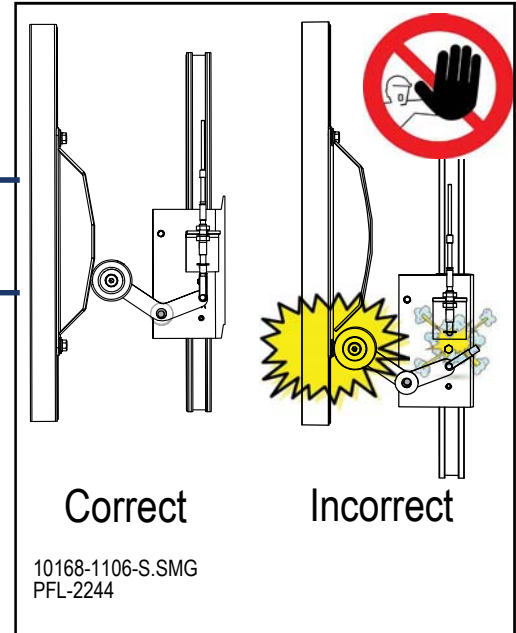
Falling hazard! Proper engagement of the roller and cam is critical. Properly align the safety components to avoid causing the roller arm to push the cable into the sleeve, bend, break, and becoming inoperable.

**Position the Roller Arm on the VRC Column**

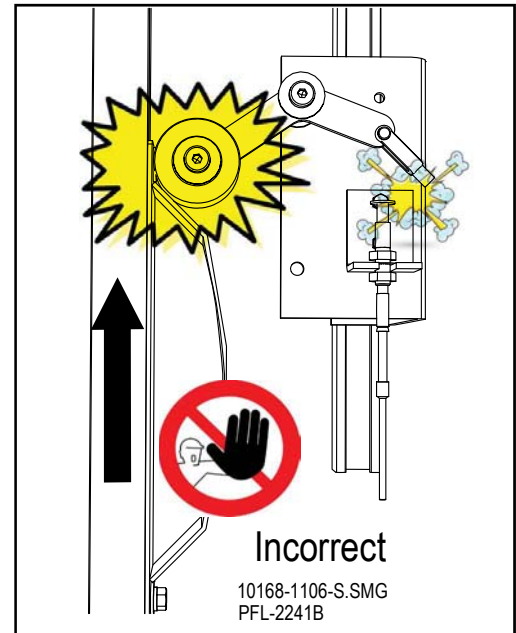
1. The position of the roller on the cam is very important. The roller must roll freely on the cam incline. See Figure 17-16 and Figure 17-17.

**NOTICE** Do not allow the roller to hang up on the top or bottom horizontal surface of the cam.

2. At the top and bottom levels, the roller arm assembly should be orientated to allow the cam to hit the roller wheel arm in the pivot direction. See Figure 17-16.
3. If the roller assembly position needs to change to an opposite hand, unbolt the angle and pivot arm and reassemble in the new location. See Figure 17-17.



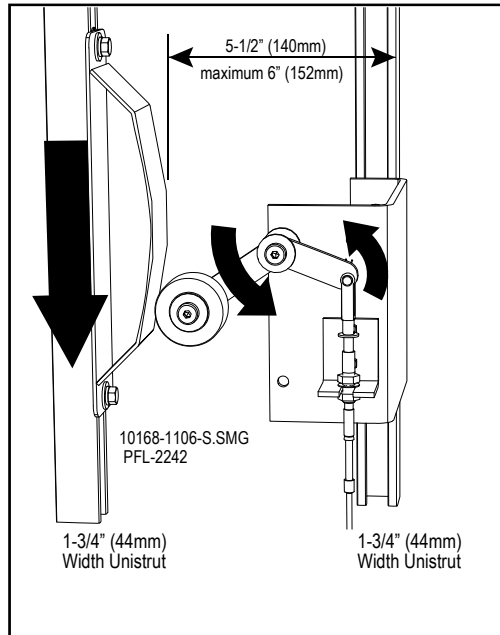
Roller Position  
Figure 17-16



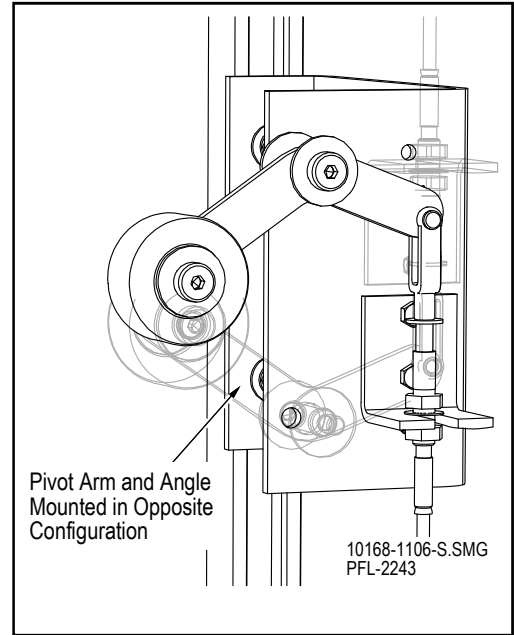
Roller Position  
Figure 17-17



**Position the Roller Arm on the VRC Column (continued)**



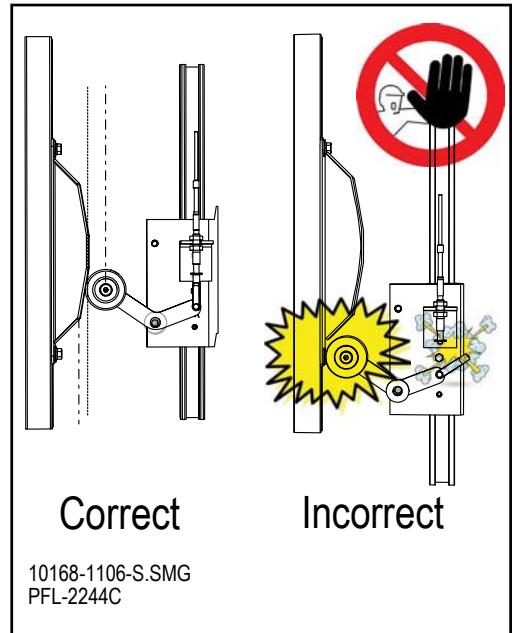
Roller Position  
Figure 17-18



Roller Position  
Figure 17-19

**NOTICE** Alignment is important. The cam contacts the roller arm in both directions on intermediate levels.

4. The edge of the cam must pass the center of the wheel (away from bracket) to allow pivot arm to rotate. See Figure 17-18.
5. If the cam hits under the wheel and does not allow the arm to pivot, the cable will break. See Figure 17-20.

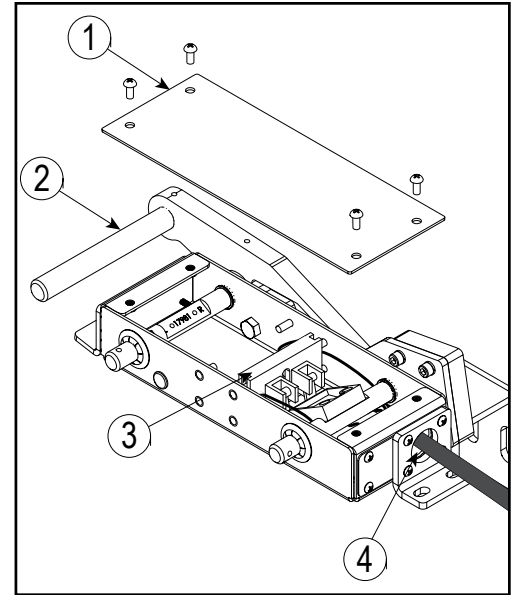


Roller Position  
Figure 17-20

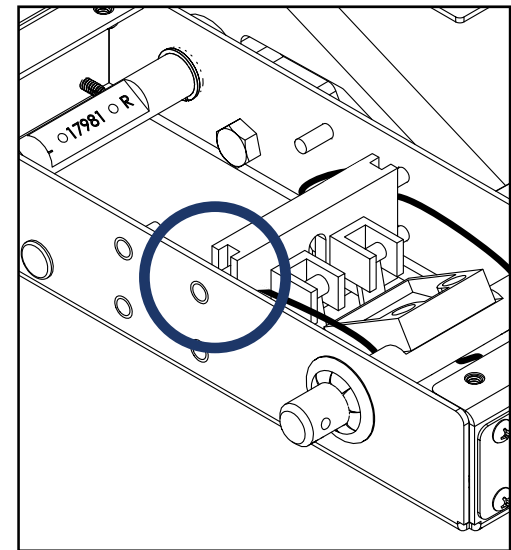
**NOTE** *There is a right-hand and a left-hand version of the interlock. While facing the gate from the inside of the carriage, the left-hand latch actuator shaft (Figure 17-21, item 2) points left. The right-hand version points right.*

**Wire the Single Contact PFlintlock Interlock**

1. Loosen and remove the four (4) Phillips screws on the cover plate (item 1) of the replacement interlock. See Figure 17-21.
2. Make sure the latch actuator shaft (item 2) is facing away from the gate.
3. Route the electrical wiring through the bottom access hole (item 4) and alongside the wall of the interlock housing.
4. Loosen the ground screw and connect the ground wire to the ground screw inside the interlock.
5. Pull up and out to remove the spring contact assembly (item 3) from the interlock housing. Use care as to not damage the contact components during removal.
6. Loosen the Phillips screws on the contact sets (item 3) and connect the wires to the contact set per the wiring schematic included.
7. Tighten and torque the Phillips screws on the contact set to 12 lb-in (1,25 N-m).
8. Tighten and torque the ground screw to 20 lb-in (2,25 N-m).
9. Slide the spring contact assembly into the interlock housing using the pins and grooves in the side as a guide. Use care as to not damage the contact components during removal. See Figure 17-22.
10. Make sure the wires are tucked into place to avoid pinching. See Figure 17-23.
11. Replace the cover plate, tighten, and torque the Phillips screws to 10 lb-in (1,13 N-m).



Single Contact PFlintlock Interlock  
 Figure 17-21



Single Contact PFlintlock Interlock  
 Figure 17-22

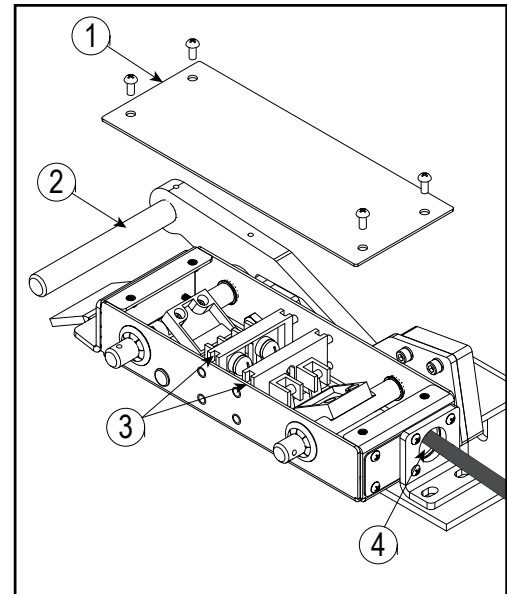


Single Contact Wiring  
 Figure 17-23

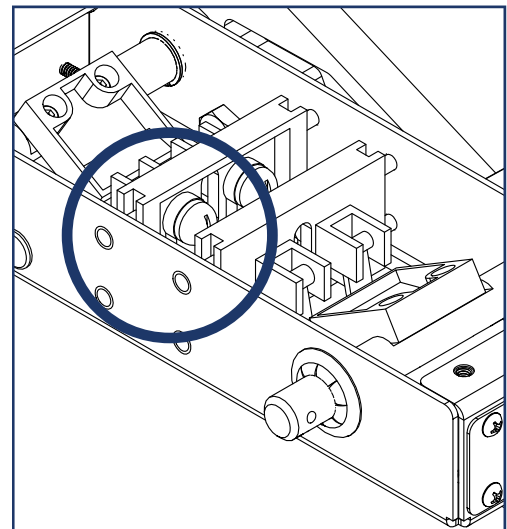
**NOTE** *There is a right-hand and a left-hand version of the interlock. While facing the gate from the inside of the carriage, the left-hand latch actuator shaft (Figure 17-24, item 2) points left. The right-hand version points right.*

### Wire the Dual Contact PFlintlock Interlock

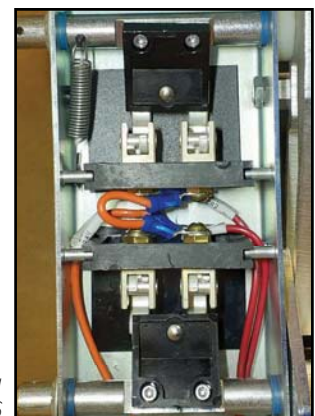
1. Loosen and remove the four (4) Phillips screws on the cover plate (item 1) of the replacement interlock. See Figure 17-24.
2. Make sure the latch actuator shaft (item 2) is facing away from the gate.
3. Route the electrical wiring through the bottom access hole (item 4) and alongside the wall of the interlock housing.
4. Loosen the ground screw and connect the ground wire to the ground screw inside the interlock.
5. Pull up and out to remove the spring contact assemblies (item 3) from the interlock housing. Use care as to not damage the contact components during removal.
6. Loosen the Phillips screws on the contact sets (item 3) and connect the wires to the contact set per the wiring schematic included.
7. Tighten and torque the Phillips screws on the contact set to 12 lb-in (1,35 N-m).
8. Tighten and torque the ground screw to 20 lb-in (2,25 N-m).
9. Slide the spring contact assemblies into the interlock housing using the pins and grooves in the side as a guide. Use care as to not damage the contact components during removal. See Figure 17-25.
10. Make sure the wires are tucked into place to avoid pinching. See Figure 17-26.
11. Replace the cover plate, tighten, and torque the Phillips screws to 10 lb-in (1,13 N-m).



Dual Contact PFlintlock Interlock  
Figure 17-24



Dual Contact PFlintlock Interlock  
Figure 17-25



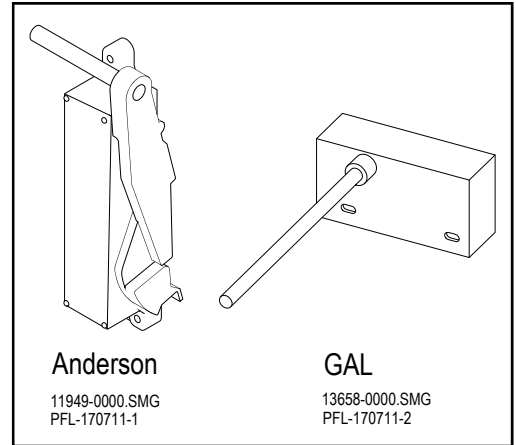
Dual Contact Wiring  
Figure 17-26



**Wire the  
Electrical Switches**

See the job specific wiring schematic for proper wiring instructions.

A gate status switch is supplied when the contacts are not being used. If required, the switch will be mounted to the gate post or header. Normally, the GAL and Anderson interlocks do not use this switch. Specific order requirements may dictate otherwise.



GAL and Anderson Interlocks  
Figure 17-27





**Before You Begin**

**Read this entire manual. Before starting the installation, verify the job site dimensions and the dimensions of the delivered materials against the PFlow Industries, Inc. General Arrangement (GA) drawing. If the site conditions or the delivered materials do not match the GA drawing, please consult the PFlow Industries, Inc. Customer Support Department.**



**WARNING**

Falling panel hazard! The installation of this equipment requires a qualified installer with extensive knowledge and experience on how to rig, erect, and support structural steel. Be sure to properly support, tie off, or temporarily brace the enclosure panels during installation. Do not depend on the enclosure panel feet to support the enclosure panel while the enclosure panel is being positioned or assembled. Final bracing of the enclosure panels must be to the Vertical Reciprocating Conveyor (VRC) or building structure and able to withstand a minimum of 200 pounds of force applied laterally. The use of structural angle is recommended.

**CAUTION**



Lifting hazard! Components and accessories are heavy. To prevent serious personal injury, use the appropriate lifting apparatus, tie offs, or help when moving, lifting or assembling the components or accessories.

**Enclosure Panels**

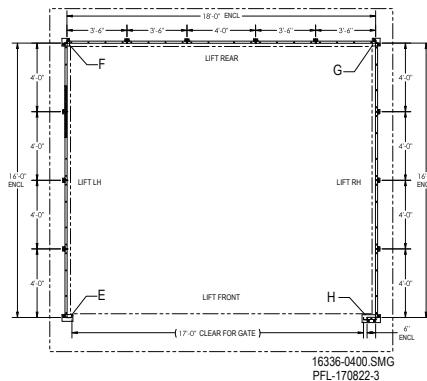
In accordance with ASME B20.1, Section I-3.9, PFlow Industries, Inc. supplies standard 8' (2,438 m) tall enclosure panels to be installed around the Vertical Reciprocating Conveyor (VRC) as required by site conditions. The enclosure panels are steel with 1-1/2" (38mm) angle frame and 16 gauge flattened expanded metal designed to reject a ball 2" (51mm) in diameter.

The PFlow Industries, Inc. GA drawing provides a "Plan View" for each level. Proper placement and appropriate size for layout and installation purposes is shown. See Figure 18-1.

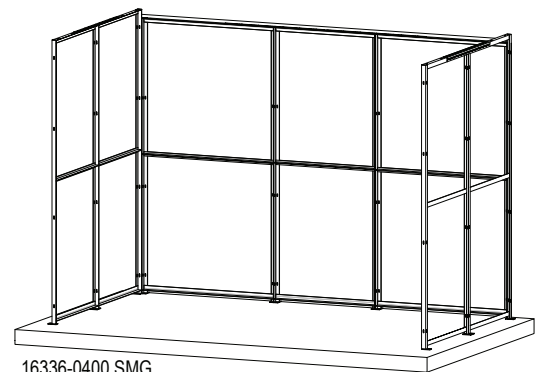
**Full Height Enclosures**

Applications that require full height enclosures (FHE) will have an additional drawing in the shipping packet.

**NOTE** When stacking panels, as in full height applications or a transom above a gate, panels without legs are placed above the regular panels.



GA "Plan View" Sample Figure 18-1



Enclosure Sample Figure 18-2

**Identify Components**

Enclosure panels have color coded tags. Each tag is a different color.

Level	Tag Color
1st (bottom)	Green
2nd	Yellow
3rd	Red
4th	Blue
Other	Cream

**Inventory Enclosure Panels**

Before beginning the installation of the enclosure panels, take an inventory of the enclosure panels to make sure the correct number and sizes have been received.

The method of assembly of the enclosure panels will vary due to site conditions. See Figure 18-3 for the general sequence of events.

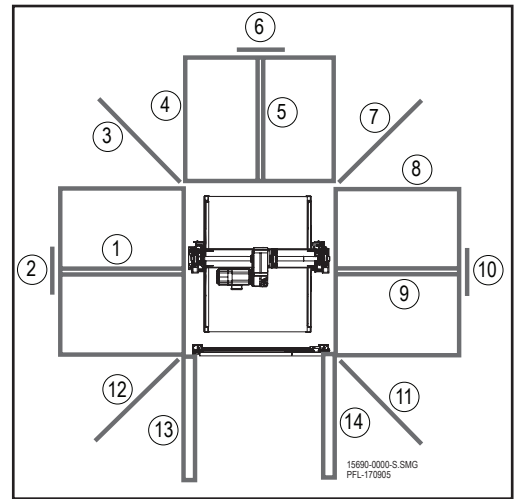
**Assemble and Install Enclosure Panels**

1. Bolt together two (2) enclosure panels. See Figure 18-4.
2. Bolt stiffener on top of the two (2) enclosure panels. See Figure 18-5.
3. Bolt corner angle to the enclosure panel for 90° corners. See Figure 18-6.

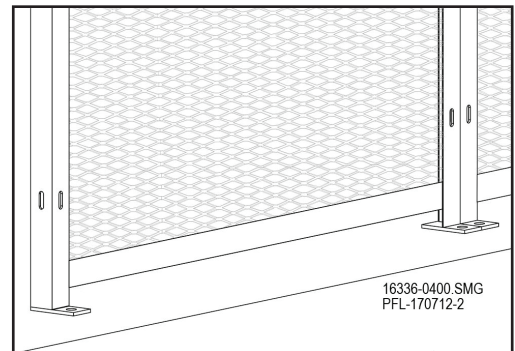
**NOTICE** Wall attachment kits are provided when a gate or panel meets an existing wall. See Figure 18-9.

4. Bolt filler panels (if applicable) to the enclosure panel to fill a gap of less than 6" (152mm). See Figure 18-7 on the next page.
5. Bolt attachment tabs to join the full height enclosure panels or stacked enclosure panels.
6. Drill and anchor the enclosure panel feet to the floor with 3/8" anchors, 3-1/2" (89mm) long. See Figure 18-4.

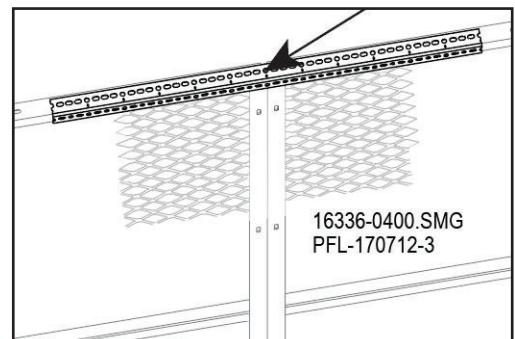
**NOTICE** The anchor hole depth should always be deeper than the length of the anchor bolt. The recommended wedge anchor size is 3/8" diameter by 3-1/2" (89mm) long.



Enclosure Panel Sequence  
 Figure 18-3

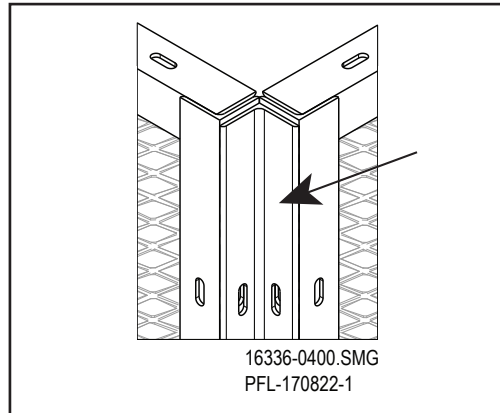


Enclosure Panels  
 Figure 18-4

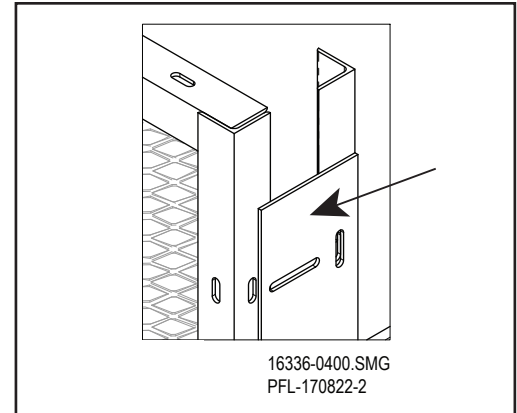


Enclosure Panel Stiffener  
 Figure 18-5

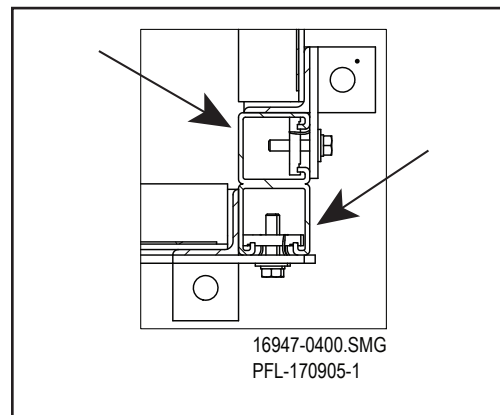




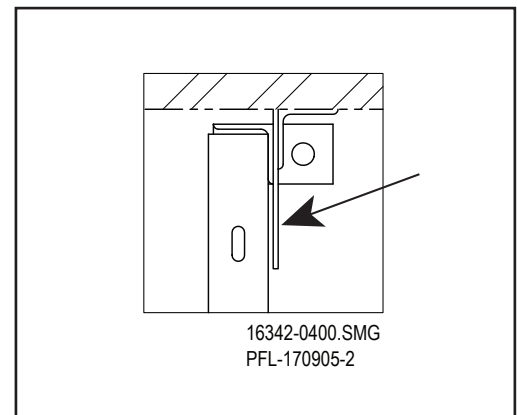
Corner Angle  
 Figure 18-6



Filler Panel  
 Figure 18-7



Unistrut Attachment  
 Figure 18-8



Wall Attachment  
 Figure 18-9

**NOTICE** Enclosures must be braced to the Vertical Reciprocating Conveyor (VRC) or building structure and able to withstand a minimum of 200 lbf applied laterally in accordance with AMSE B20.1-Section I-3.9. The use of structural angle is recommended. Enclosure panels may need to be notched to permit bracing the VRC.





**Before You Begin**

*Read this entire manual.*

**Purpose**

The PFlow Industries, Inc. Vertical Reciprocating Conveyor (VRC) is designed for the movement of materials only, up to the VRC’s rated capacity, from one level to the next. Passengers are not allowed. The placement of capacity labels, and safety warnings are the installer’s responsibility. Make sure the warning labels are placed on each gate and each push-button station.

PFlow Industries, Inc. supplies the appropriate signage in a manila envelope in the parts crate with the original shipment. Contact PFlow Industries, Inc. Customer Support Department for signage if another language is needed.



## Section 19 | Signage Locations



**MATERIAL HANDLING SOLUTIONS**

[www.pflow.com](http://www.pflow.com)  
P 414 352 9000  
F 414 352 9002  
6720 N. Teutonia Ave.  
Milwaukee, WI 53209

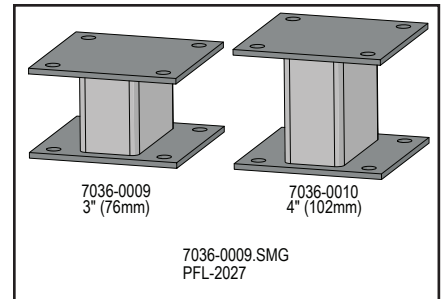


**Before You Begin**

*Read this entire manual.*

**Install the Gate Post Extensions**

Gate post extensions may be required to gain additional gate post height and provide clearance between the bottom of the gate panel and the optional landing platform or ramp. If a landing platform or ramp is provided, the gate panel is positioned above the landing platform or ramp.



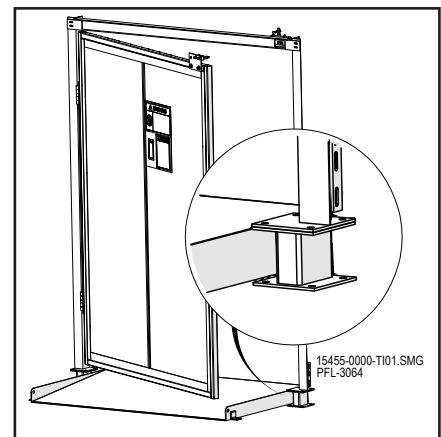
Post Extension Pads  
Figure 20-1

The gate post extension allows the gate panel to swing over the top of the landing platform or ramp. See Figure 20-1 and Figure 20-2.

1. Bolt the post extension pad to the bottom of the gate post base plates.
2. Follow the appropriate gate installation instructions.

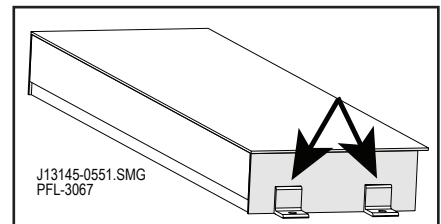
**Install the Landing Platform**

1. Position the landing platform 1" (25mm) from the carriage and align with the carriage deck.
2. Make sure the anchoring tabs do not interfere with the gate posts.
3. Weld two (2) anchoring tabs onto both the right side and the left side of the landing platform. See Figure 20-3.
4. Anchor the landing platform to the floor.



Post Extension Pads and Ramp  
Figure 20-2

**NOTICE** The anchor hole depth should always be deeper than the length of the anchor bolt. The recommended wedge anchor size is 3/8" diameter by 3-1/2" (89mm) long.



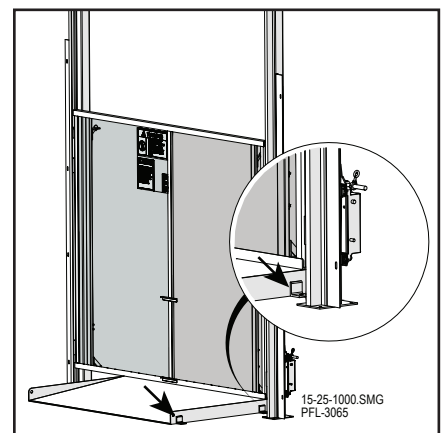
Landing Platform Anchor Tabs  
Figure 20-3

**Install the Ramp**

Ramps are typically provided for first floor levels where the floor is not at the same level as the carriage deck.

Allow additional clearance from the carriage to the ramp. Position the high end of the ramp 1" (25mm) from the edge of the carriage.

1. Weld two (2) anchoring tabs onto both the right side and the left side of the ramp. See Figure 20-4.
2. Anchor the ramp to the floor.



Ramp without Post Extension Pads  
Figure 20-4

## Section 20 | Landing Platform or Ramp



**MATERIAL HANDLING SOLUTIONS**

[www.pflow.com](http://www.pflow.com)  
P 414 352 9000  
F 414 352 9002  
6720 N. Teutonia Ave.  
Milwaukee, WI 53209





**Before You Begin**

*Read this entire manual.*

**Overcurrent Sensor (OCS) Purpose**

The PFlow Industries, Inc. Vertical Reciprocating Conveyor (VRC) is equipped with an Overcurrent Sensor (OCS). The OCS is pre wired and located inside the electrical control panel. See Figure 21-1.

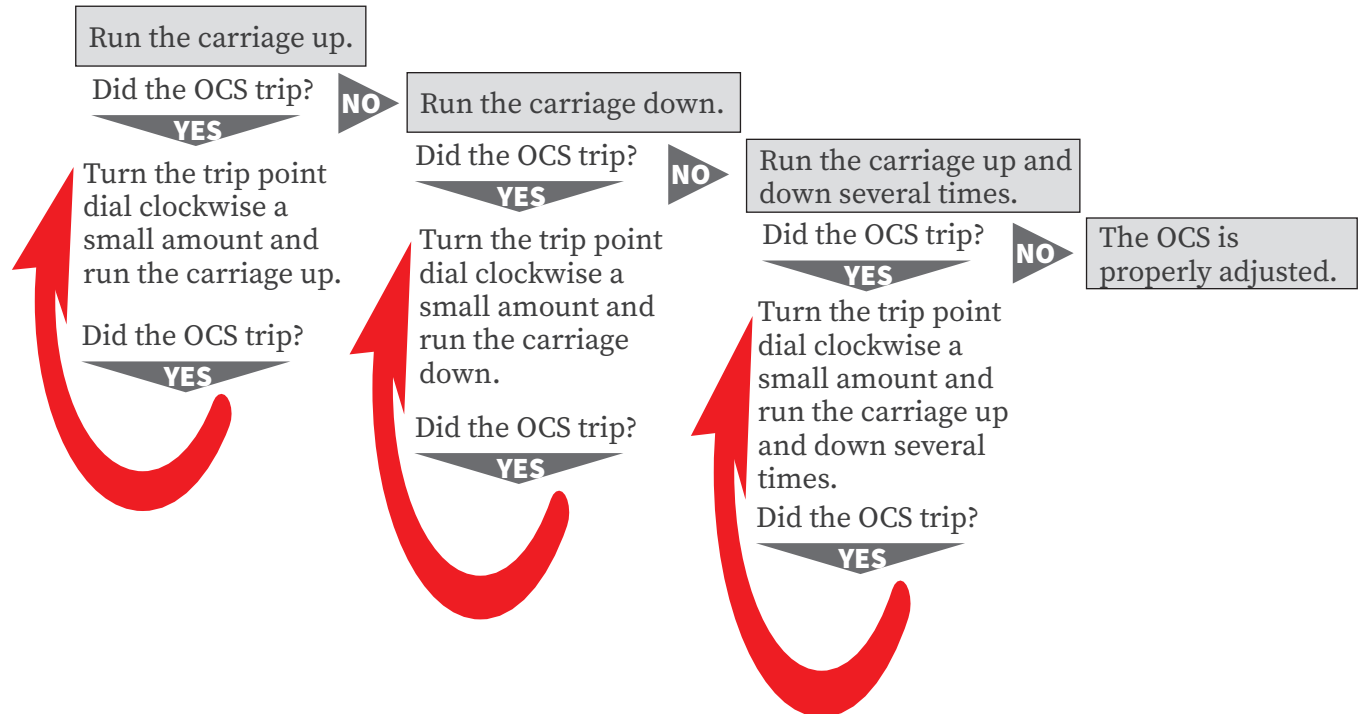
The OCS monitors the motor amp draw and provides enhanced over current protection of the lift motor. The OCS must be adjusted to the maximum “expected” current draw. If the motor current rises above the OCS set point, the OCS will trip. Tripping can be caused by a circuit malfunction, overloading the capacity of the lift, or an overhanging load trapped between floors.



Overcurrent Sensor Figure 21-1

**Test and Calibrate the OCS**

1. Turn the trip point dial to its lowest position.
2. Place the maximum product weight on the carriage.



## Section 21 | Adjust Overcurrent Sensor



**MATERIAL HANDLING SOLUTIONS**

[www.pflow.com](http://www.pflow.com)  
P 414 352 9000  
F 414 352 9002  
6720 N. Teutonia Ave.  
Milwaukee, WI 53209







**Before You Begin**

*Read this entire manual.*

**⚠ DANGER**



High Voltage! A qualified electrician must install and verify all electrical connections and permanent wiring in accordance with applicable local or national electrical codes. Make sure the equipment is properly grounded in accordance with local electrical codes or, in the absence of local codes, with the current edition of the National Electrical Code NFPA No. 70.

**⚠ CAUTION**

Connect all push-button stations, gate interlocks, limit switches, and accessories before applying power to the drive motor. Never override any electrical component or manually operate the motor starter to operate the Vertical Reciprocating Conveyor (VRC).

**⚠ CAUTION**

PFlow Industries, Inc. does not recommend or support the use of temporary power for its equipment. The customer assumes all responsibility for any damage to PFlow equipment resulting from its use.

**Mechanical Checks**

1. Verify the alignment of the drive chains and sprockets.
2. Confirm that all bolts and setscrews on the VRC are tight.
3. Verify that Loctite® Blue 242® has been applied to all drivebase and sprocket setscrews.
4. Confirm that all safety cam setscrews are removed and replaced with the previously removed hex head screw and washers.
5. Verify that all safety cam bolts have proper engagement.
6. Confirm that all safety cam bolts are torqued.
7. Confirm that all finish welds are complete.
8. Verify that the guide angle to guide angle spacing is correct.
9. Make sure vertical travel is clear.
10. Verify that the resistor bank (if applicable) is installed horizontally or as shown in the wiring schematic.

**Static IO Checks**

1. Verify that the appropriate wire sizes are used for the incoming power and the motor connections.
2. Make sure adequate wire insulation has been removed and terminal block connections are making full contact.
3. Verify the terminal block L1, L2, and L3 are tight and torqued appropriately.
4. Verify that all switches are installed.
5. Verify that all switches turn on/off (IO) using a continuity check with a meter and that the switches match the wiring schematic.
6. Make sure that the cam(s) actuate all switches and that the switches actuate in the correct direction.



**DANGER**



High Voltage! A qualified electrician must install and verify all electrical connections and permanent wiring in accordance with applicable local or national electrical codes. Make sure the equipment is properly grounded in accordance with local electrical codes or, in the absence of local codes, with the current edition of the National Electrical Code NFPA No. 70.

**Power Up**

1. Verify that the incoming voltage is correct.
2. Apply power at the main disconnect switch, then the main control panel.
3. Turn individual breakers on one at a time.
4. Verify all IO inputs to the PLC. Mark off on wiring schematic when each has been tested. Make sure all inputs on the schematic have been tested.
5. With the Emergency stop (E-stop) button on the main control panel depressed, verify each device correctly switches the state of the PLC IO.
6. Pull out the E-stop button on the main control panel.
7. Press the “Send to 2” button on the push-button station and confirm that the motor shaft rotates in the correct direction. Press the E-stop button.

**NOTE**

*If the motor is not operating in the correct direction, stop the motor immediately. Using established Lockout/Tagout procedures, have a qualified electrician inspect and switch the T1 and T2 wires of the incoming 3-phase power for the motor. Confirm that the motor shaft rotation is correct after any wiring change has been made.*

**Perform Autotune**

1. Enable the VRC.
2. Pull out the E-stop button.
3. Make sure all safeties are okay and indicated on the HMI or control panel.
4. Contact PFlow Industries, Inc. Customer Support Department for assistance with this process.

**Confirm E-stop Safety Operation**

1. Push the “Send to 2” button on the push-button station just long enough to confirm that the carriage begins to rise. Push in the Emergency Stop (E-stop) button on the push-button station.
2. Pull out the E-stop button on the push-button station.
3. While you and the carriage are at the first level, push in the E-stop button on the push-button station.
4. Push the “Send to 2” button on the push-button station. The carriage should not move.
5. Pull out the E-stop button on the push-button station.
6. Repeat steps 1-5 at each push-button station and at the control panel after the floor levels have been set.

**NOTE**

*If pushing in the E-stop button on the push-button station does not stop the carriage from moving, immediately disconnect power to the VRC.*

*If nothing happens when the “Send to 2” button is pushed, contact PFlow Industries, Inc. Customer Support Department for troubleshooting assistance.*



**Verify DeckLock  
Operation  
(if option is  
applicable)**

1. Using the Human Machine Interface (HMI), enter the “Maintenance Mode”.
2. Cycle the DeckLocks out and in.
3. Verify that the button on the HMI display illuminates green when the DeckLocks are confirmed in position.
4. Visually confirm that all the DeckLock cams are extended when engaged and retracted when not engaged.
5. Verify that the DeckLock cams rotate smoothly and that no abnormal sounds are made.
6. Repeat for each level after the floor levels have been set.
7. Confirm that the minimum gap between the extended DeckLock cam and the DeckLock pad is 1-1/2" (38mm).

**Verify Undertravel  
Stop (if option is  
applicable)**

1. With another person at the lower level to observe the carriage, and who has ready access to the E-stop button, jog the carriage into the undertravel limit switch to ensure the switch engages properly. Adjust the position of the limit switch as needed.
2. Contact with the undertravel limit switch should be made before contacting the pit floor.
3. Verify that there is no abnormal noise during carriage travel. Investigate and correct if there is.

**Inspect for  
Binding**

1. Raise the carriage in 3' (914mm) increments along the full height of the VRC.
  - Inspect for binding or interference.
  - Verify the guide angle to guide angle dimension.
  - Verify that there is a minimum clearance of 1/8" (3mm) between the safety cam shoe and the guide angle at each increment.
2. Verify that the lift chain and sprockets did not shift and that there is sufficient operating clearance between the master links, drive base and chain tube structures.
3. If the safety cam shoes rub against the column:
  - Verify that correct number of safety cam shoe shims have been installed.
  - Verify that the columns are plumb.
  - Contact PFlow Industries, Inc. Customer Support Department for troubleshooting assistance.
4. If the twin roller guide wheels rub against the column or guide angle:
  - Verify the thickness of the column web flange and that the bar clamp is positioned properly for that thickness.



**Verify  
Overtravel Stop**

---

**NOTE** *Raising the carriage to meet the overtravel switch must be performed **slowly** and with care to avoid causing costly damage to the motor drivebase. Damage to any portion of the motor drivebase during this step is the sole responsibility of the person conducting this procedure.*

---

1. With another person at the upper level to observe the carriage, and who has ready access to the E-stop button, slowly jog the carriage into the overtravel limit switch to ensure the switch engages properly. Adjust the limit switch as needed.
  2. Verify that contact with the overtravel limit switch is made **before** contacting any portion of the motor drivebase assembly.
  3. Verify that there is no abnormal noise during carriage travel. Investigate and correct if there is.
  4. Return the carriage to the first level.
- 

**Confirm Gate Safety  
Operation**

1. While you are at the first level and the carriage is traveling up, attempt to open the door. The door should not open while the carriage is traveling.
  2. While the carriage is at the second level, attempt to open the first level gate door. The gate door should not open.
  3. Push the “Send to 1” button on the push-button station.
  4. Attempt to open the first level gate door. The gate door should not open.
  5. Attempt to open the first level gate door when the carriage has reached the first level. The gate door should open.
  6. Repeat for each level after the floor levels have been set.
- 

**NOTE** *If the gate door does not open, refer to the manufacturer’s installation manual for the necessary adjustments.*

---

**Confirm  
Push-Button  
Operation**

1. Close the gate door. Push in the E-stop button on the push-button station. Push the “Send to 1” button on the push-button station. The carriage should not move.
  2. Pull out the E-stop button on the push-button station. Push the “Send to 2” button on the push-button station. The carriage should begin to travel up.
- 

Repeat the E-stop Safety Operation steps, Gate Safety Operation steps, and the Push-button Operation steps at each level and at each push-button station after the floor levels have been set.

---



**Set Decel  
Limit Switch  
(if option is  
applicable)**

When properly set up, the transition from the carriage moving at full speed to a decelerated speed should be a single, fluid motion. The Hz value varies but is usually between 6 Hz and 10 Hz. The value appears on the HMI display for a very brief period of time. No more than one or two inches of low speed creep should be allowed.

---

**NOTE** *The procedure for setting the decelerated speed is different for each type of drive. Below is an example that applies to VFD controlled units and may not apply to your specific model. Contact PFlow Industries, Inc. Customer Support Department for specific details.*

---

If the carriage travels past the floor level position after increasing speed, **do not** adjust the position of the floor level limit switch. It is most likely that the carriage has not reached low speed or the decel limit switch is not being actuated soon enough or in the correct direction.

1. Using the HMI, start at 30 Hz and increase PAR 1 in increments of 10 Hz at a time during this procedure.
2. Send the carriage to each floor while verifying that the carriage moves in low speed before stopping at the chosen level.
3. At lower Hz settings, there is lots of “creep”. Do not adjust the position of the decel limit switch at this time.
4. Continue to increase the speed by adjusting PAR 1 in increments of 10 until the VRC operates at 60 Hz.
5. Adjust the position of the decel limit switch to allow for additional decel time if the carriage reaches the floor level limit switch before reaching low speed.

These steps must be repeated in both the up and down direction at each floor.

---



### Conduct a Load Test

## **WARNING**

Avoid Shifting Loads! Place the load in the center of the carriage platform to avoid shifting loads. Lock rolling casters in place. Make sure that any portion of the load does not overhang the perimeter of the carriage. Prevent unstable load conditions.

1. With the carriage deck at the first level, add weight up to, but not to exceed, the rated capacity of the VRC.
2. Close the gate and push the “Send to 2” button on the push-button station.
3. Monitor the position of the carriage deck as it reaches the second level.
4. Take an amp rating and record it.
5. Continue to monitor the position of the carriage deck. Allow the VRC to hold the carriage at the upper level for a half hour.

**NOTICE** The motor brake is not holding if the carriage deck drops below the second level. Make a note of the weight used, and the amount of time that the carriage deck held the position before dropping down. Push the “Send to 1” button and contact PFlow Industries, Inc. Customer Support Department for troubleshooting assistance.

# M Series Installation Completion Checklist



**MATERIAL HANDLING SOLUTIONS**

www.pflow.com  
P 414 352 9000  
F 414 352 9002  
6720 N. Teutonia Ave.  
Milwaukee, WI 53209

## Post Installation Checklist

*Make sure all steps are completed. Sign and return to PFlow Industries, Inc. Customer Support Department via e-mail to [csd@pflow.com](mailto:csd@pflow.com)*

✓	<b>Verify Mechanical Completion</b>
	All bolts are tight.
	The motor drivebase assembly is level.
	Final bracing for the VRC is completed from front to back and from side to side. Inspect each level.
	Final bracing for the gates and enclosures are completed. Inspect each level.
	The gate door opens when the carriage is present. Inspect each level.
	The gate door does not open when the carriage is not present. Inspect each level.
	The VRC does not operate with any floor level gate or carriage gate open.
	Excess gate interlock cables are routed as straight as possible and not spooled in coils tighter than 28" (711mm).
	All operational signs are posted.
	All weld marks, scrapes, etc. are touched up with paint.
	The setscrew holding the safety cam on the wheelblock has been replaced with a bolt and washers.
	The sprockets and lift chains are centered within the chain block tube, Loctite® Blue 242® is applied to all split collars and sprocket setscrews, and setscrews are torqued.
	The lift chain tensioners are tested and working properly.
	There is no excessive noise or binding during travel.
	Additional options and accessories (e.g., DeckLocks, maintenance pins) are tested and working properly.
	The installation site is clean and all debris is removed.
	The customer received instructions regarding proper lift operation.
	The customer received instructions regarding preventive maintenance of the VRC.
	The customer received instructions regarding procedures in the event of a problem or safety related issues.
	Identify any unsafe condition. Document and report the condition immediately to the customer and then PFlow Industries, Inc. Customer Support Department. Do not allow the lift to operate when unsafe conditions arise.



## Additional Notes or Follow-up Requirements

PFlow Serial Number:	Customer/User:	Date:
Mechanical Checklist Completed by:		E-mail Address:
Company:		Phone Number:

# M Series Installation Completion Checklist



**MATERIAL HANDLING SOLUTIONS**

www.pflow.com  
P 414 352 9000  
F 414 352 9002  
6720 N. Teutonia Ave.  
Milwaukee, WI 53209

## Post Installation Checklist

*Make sure all steps are completed. Sign and return to PFlow Industries, Inc. Customer Support Department via e-mail to [csd@pflow.com](mailto:csd@pflow.com)*

✓	<b>Verify Electrical Completion</b>
	Make sure all electrical connections are tight and properly made.
	The push-button station operates correctly on all floor levels.
	The emergency stop button operates correctly on all floor levels.
	The floor level limit switches are adjusted and the carriage stops level at each floor.
	The overtravel limit switch is adjusted and the carriage stops before reaching the drivebase assembly.
	The OCS has been adjusted and the full load test is completed.
	The lift chain tensioners are tested and working properly.
	The gate door opens when the carriage is present. Inspect each level.
	The gate door does not open when the carriage is not present. Inspect each level.
	The VRC does not operate with any gate open.
	Additional options and accessories (e.g., DeckLocks, maintenance pins) are tested and working properly.
	The installation site is clean and all debris is removed.
	The customer received instructions regarding electrical control panel location and power shutoffs.
	The customer received instructions regarding procedures in the event of a problem or safety related issues.
	Identify any unsafe condition. Document and report the condition immediately to the customer and then PFlow Industries, Inc. Customer Support Department. Do not allow the lift to operate when unsafe conditions arise.



## Additional Notes or Follow-up Requirements

PFlow Serial Number:	Customer/User:	Date:
Electrical Checklist Completed by:	E-mail Address:	
Company:	Phone Number:	



# Installation Questionnaire



**MATERIAL HANDLING SOLUTIONS**

www.pflow.com  
 P 414 352 9000  
 F 414 352 9002  
 6720 N. Teutonia Ave.  
 Milwaukee, WI 53209

## Thank You

PFlow Industries, Inc. would like to thank you for the opportunity to serve you. Your business is appreciated. Please help us to ensure that your expectations are met by taking a few minutes to tell us about the equipment and service that you have received. Complete the Installation Questionnaire and Acceptance Certificate. Return both forms to PFlow Industries, Inc. via e-mail to [csd@pflow.com](mailto:csd@pflow.com). Additional space for comments is available on the next page.

Yes ✓ No ✓

## Product Perception

Was the equipment shipment complete as expected?		
What items were missing, if any?		

Was the equipment in good condition?		
Describe the equipment damage or concerns with the workmanship, if any.		

Did the equipment match the General Arrangement (GA) drawing?		
Was the equipment dimensionally correct with form, fit, and function?		
Describe any problem areas in detail.		

## Electrical Installation

Was the electrical field wiring completed as required?		
Were there any issues with the electrical components?		
After the electrical installation was completed, was it necessary to return for final adjustments, testing, and training?		
Were you made aware of any electrical problems?		
Describe any "No" answers in detail.		

## Testing

Was the equipment tested at full load capacity?		
Were all gates tested to ensure proper operation and interlock operation?		

PFlow Serial Number	Customer/User	Date
Questionnaire Completed by	E-mail Address	
Company	Phone Number	

# Installation Questionnaire



**MATERIAL HANDLING SOLUTIONS**

[www.pflow.com](http://www.pflow.com)  
P 414 352 9000  
F 414 352 9002  
6720 N. Teutonia Ave.  
Milwaukee, WI 53209



# Acceptance Certification



**MATERIAL HANDLING SOLUTIONS**

www.pflow.com  
 P 414 352 9000  
 F 414 352 9002  
 6720 N. Teutonia Ave.  
 Milwaukee, WI 53209

## Acceptance

We, the Customer, accept the equipment listed below as being properly installed, tested, and performing to our satisfaction. This form covers both the mechanical and the electrical installation of the equipment. This acceptance in no way releases either PFlow Industries, Inc. or the installing contractor(s) of any warranty obligations. If there are any exceptions or unresolved items, please include detailed information.

PFlow Serial Number:	Model Number:	<input type="checkbox"/> B	<input type="checkbox"/> D	<input type="checkbox"/> DB	<input type="checkbox"/> F	<input type="checkbox"/> M	<input type="checkbox"/> 21	Other _____
Job Name:								
Site Street Address:								
Site Mailing Address:								
Site City:						State:		Zip Code:
Customer Contact Name:						Contact Title:		
Customer Contact Phone: ( )						Ext		E-Mail:

<b>Tests Performed</b>	Load Capacity:				Start-up Date:
	Load Test:	<input type="checkbox"/> Yes	<input type="checkbox"/> No	at ____ % of lift capacity	Customer Initials:
	Operation Test:	<input type="checkbox"/> Yes	<input type="checkbox"/> No		Comments:
	Gate/Interlock Operation:	<input type="checkbox"/> Yes	<input type="checkbox"/> No	<input type="checkbox"/> Not Applicable	
	Other Test:				
	Other Test:				

Personnel Instructed on the Operation and Preventive Maintenance:	
Name:	Company:
Name:	Company:

Accepted by:	Acceptance Date:
Name/Phone:	PFlow Rep Present:
Title:	Name:
Company:	Company:

Please return a copy of this form to the PFlow Industries, Inc. Customer Support Department at [csd@pflow.com](mailto:csd@pflow.com).

# Acceptance Certification



**MATERIAL HANDLING SOLUTIONS**

[www.pflow.com](http://www.pflow.com)  
P 414 352 9000  
F 414 352 9002  
6720 N. Teutonia Ave.  
Milwaukee, WI 53209

