



1. Product Name

- PFlow 21 Series Hydraulic Vertical Lifts

2. Manufacturer

PFlow Industries, Inc.
 6720 N. Teutonia Avenue
 Milwaukee, WI 53209
 Phone: (414) 352-9000
 Fax: (414) 352-9002

Email: info@pflow.com
 Web: www.pflow.com

3. Product Description

PFlow Industries, Inc. has been an industry-leading provider of custom engineered vertical reciprocating conveyors (VRCs) for over 40 years. Today, with more than 20,000 vertical lifts sold worldwide, PFlow Industries offers a full line of custom engineered hydraulic, mechanical and fully automated VRC systems.

Basic Use

PFlow 21 Series Hydraulic Vertical Lift is a cost-saving two-post vertical reciprocating conveyor that moves materials between two levels. Manufactured to ANSI/ASME B20.1 safety standards, PFlow 21 Series is capable of vertical rise heights to 22' and load capacities to 6000 lbs.

PFlow 21 Series Hydraulic Vertical Lift can be installed next to mezzanines, through-floor, and in interior and exterior applications. It is easily configured for load and unload from any one of the three operating sides. It is ideal for industrial facilities, warehouses and distribution centers that regularly move medium loads.

Materials, Composition

Each PFlow 21 Series Hydraulic Vertical Lift has guide columns, a moving carriage and hydraulic actuating mechanism. Both levels of the lift have NEMA 12-compliant control stations, allowing full call-and-send capability from either level. Guide columns are 6" wide flange sections with two vertical columns. The carriage is fabricated of 4" or 6" structural members with a steel deck plate. Additional deck surfaces are available. Cylinders, actuated by a remote mounted hydraulic pump, lift and lower the carriage. Transmission of the lifting force is through roller chain attached to the cylinders and carriage.



A torsion bar links the cylinders to equalize the load and ensure the carriage remains level.

Primary components of the 21 Series Hydraulic Vertical Lift are guide columns and the carriage.

Types

Two configurations are available:

- Straddle, with columns on each side of the carriage
- Cantilever, with both columns positioned at the back

Colors, Sizes

PFlow 21 Series is custom engineered to specific application and height requirements.

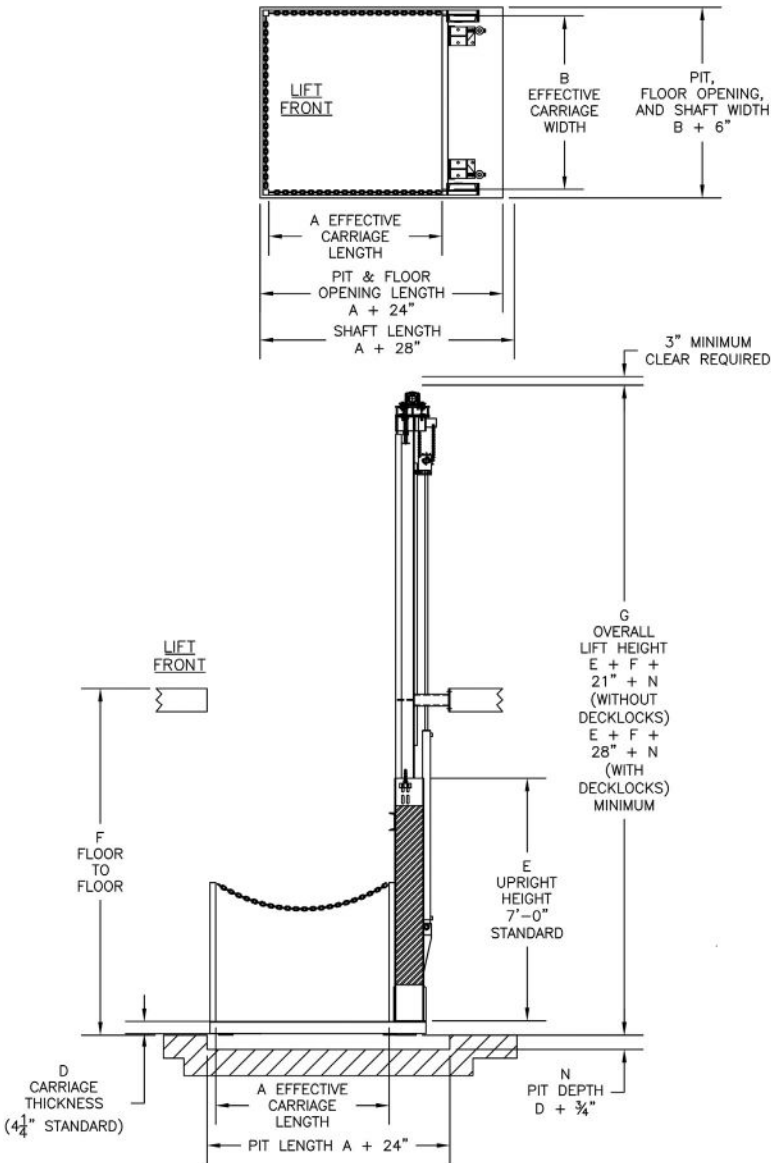
Benefits

- Moves material safely and quickly between levels
- Pre-wired lift motor pump and controls simplify installation
- Electrical components comply with NEC requirements
- Conforms to ANSI/ASME B20.1

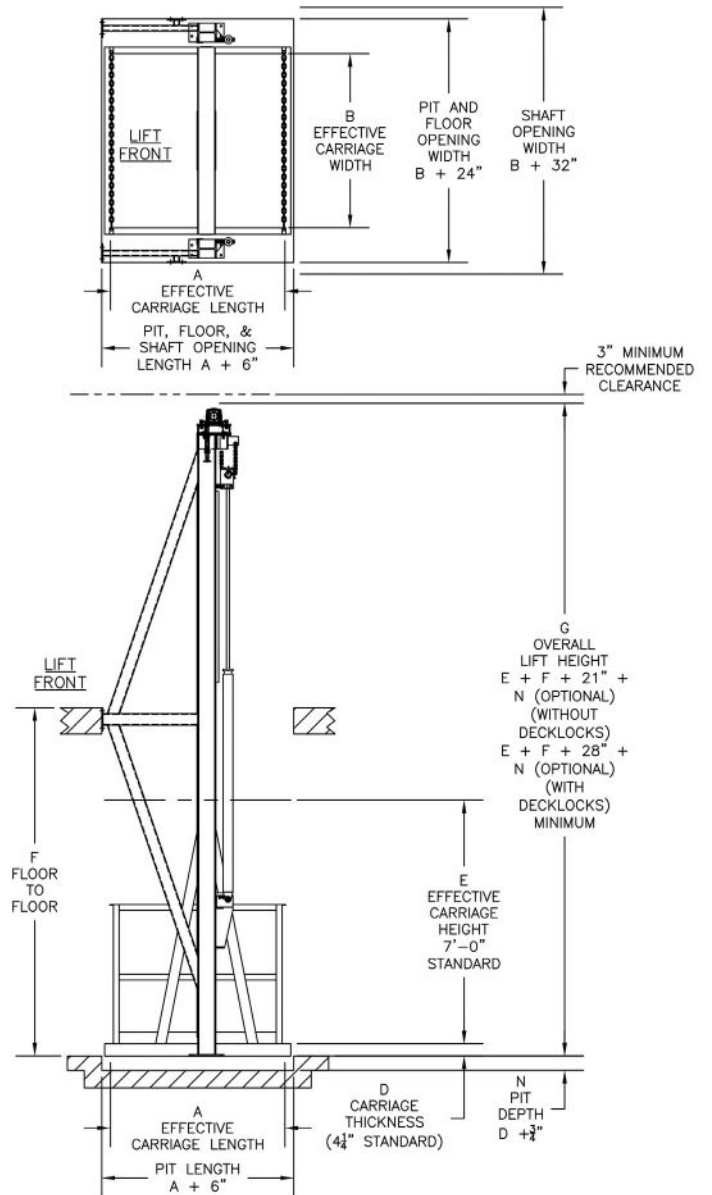
Limitations

PFlow 21 Series is designed for the movement of materials only and should not be used as an elevator. The rated capacity must not be exceeded.

Pflow Series 21, Cantilever



Pflow Series 21, Straddle



Platform size	Unrestricted
Maximum capacity	6000 lbs
Carriage size	12' x 10' maximum
Maximum vertical rise	22'
Levels	2
Travel speed	24 fpm (special order to 30 fpm)
Power requirement	208V/230V/460V, 3 phase (single phase is optional)
Control voltage	24V
Maximum cycles	10 per hour / 100 per day

Accessories, Options

- DeckLock Safety System
- Carriage gate
- Enclosures
- Expanded metal side guards
- Explosion proof
- Quick connect cabling
- Single phase motor
- Custom paint and colors

Applicable Standards

- American National Standards Institute (ANSI)**
ANSI B20.1 Safety Code for Conveyors, Cableways, and Related Equipment
- National Electrical Manufacturer’s Association (NEMA)**
NEMA 12 Enclosures
- National Electrical Code® (NEC)**
NFPA 70 National Electrical Code

Physical Properties

See Table 1.

5. Installation

Preparatory Work

Perform all necessary site work, such as pit, floor opening, adequate bracing locations and shaftway openings. Ensure the site or building area has sufficient clearance to move the equipment into the storage and installation areas.

Transport products in manufacturer’s original, unopened, undamaged containers with identification labels intact. A fork truck with a minimum 2000 lb capacity is required. Inspect upon delivery.

Weather/Ambient Conditions

PFlow 21 Series accommodates most weather conditions, and materials can be customized for climate need. Epoxy coating and galvanizing is available.

Methods

Install in compliance with the manufacturer's 21 Series Installation Manual.

Building Codes

Ensure the installation complies with the requirements of all applicable local, state and federal code jurisdictions.

6. Availability and Cost

PFlow Industries offers VRCs throughout the U.S. and internationally. Contact PFlow Industries for pricing information and availability in specific areas.

7. Warranty

Used and installed as directed, PFlow Industries warrants the 21 Series Hydraulic Vertical Lift beginning 30 days after shipment. PFlow components have a one-year warranty on parts and labor. Purchased components have a one-year parts warranty and a 90-day labor warranty.

8. Maintenance

To ensure system safety, the PFlow 21 Series Hydraulic Vertical Lift requires consistent minimal and basic attention. Standard preventative maintenance is within the capabilities of a plant maintenance person. See the PFlow 21 Series owner's manual for maintenance schedule details.

9. Technical Services

Technical assistance, including detailed information, product literature, test results, project lists, assistance in preparing project specification or installation supervision is offered by the manufacturer. For questions about specifications, code regulations, product usage or product installation, contact PFlow Industries, Inc.

10. Filing Systems

- CMD
- Additional product information is available from the manufacturer upon request ↪