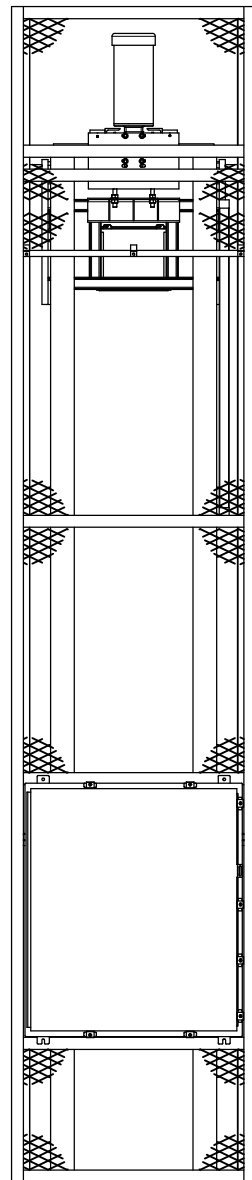


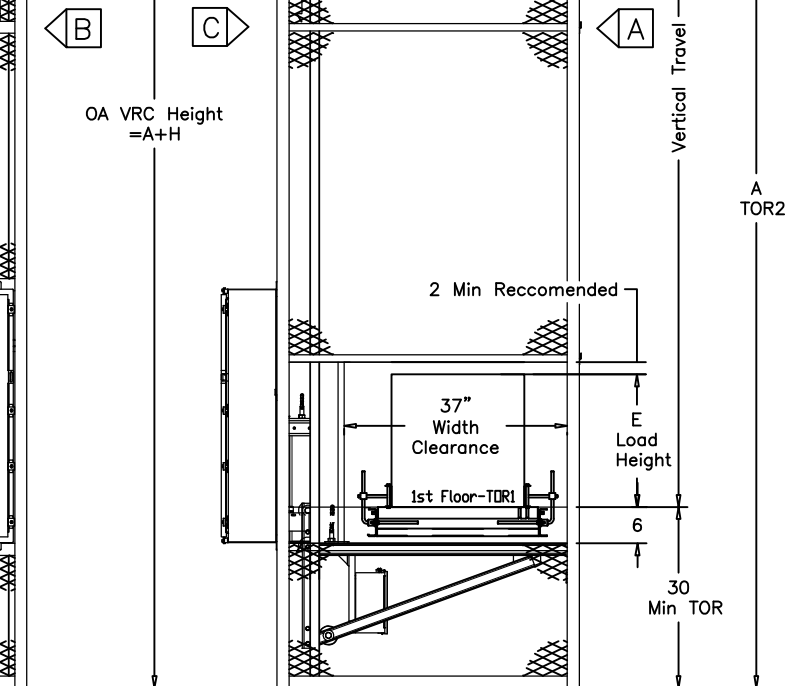
D



B

C

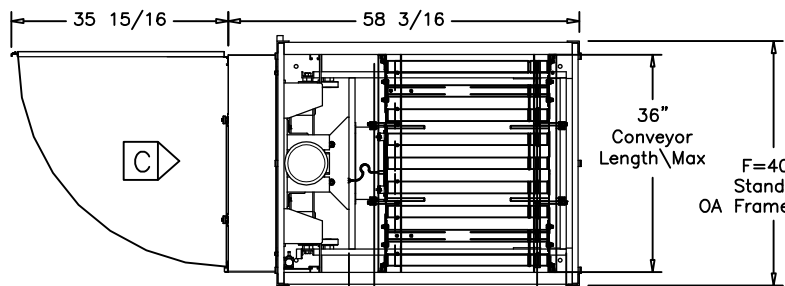
OA VRC Height = A+H



A

Vertical Travel

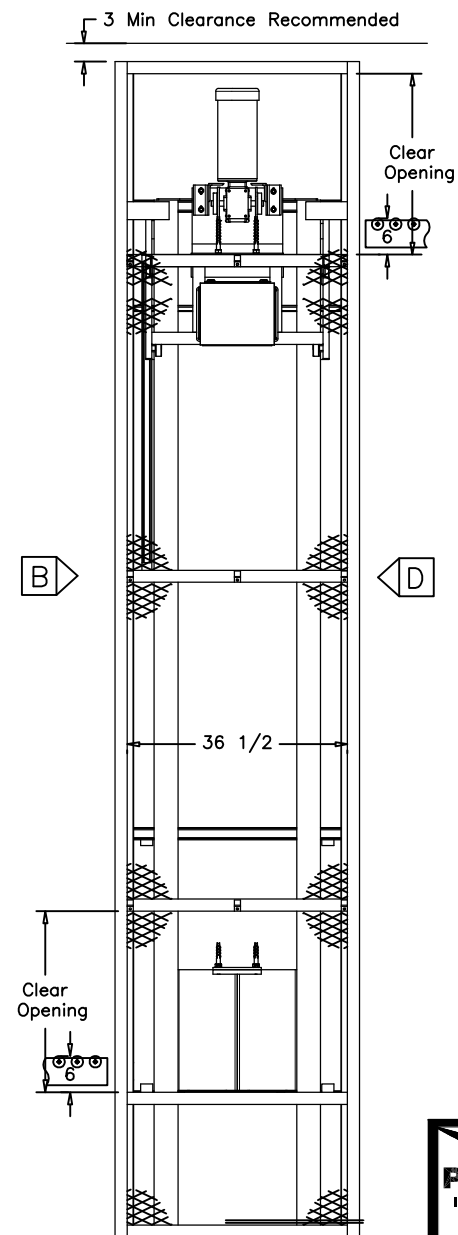
A TOR2



C

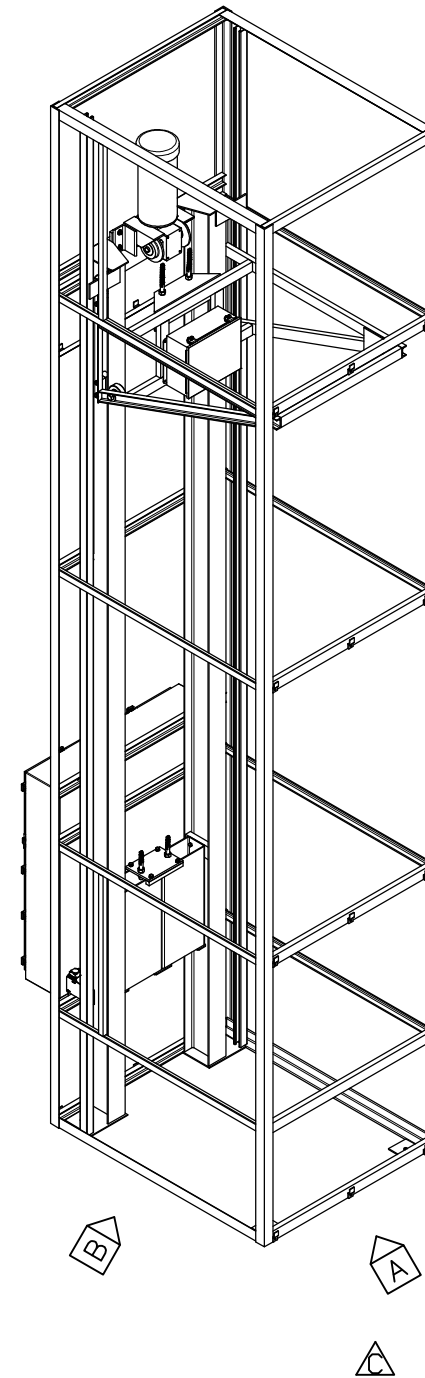
A

Min 25" W/Vertical Motor (Std)
Min 15" W/Motor @ 90°



B

D



B

A

C



MATERIAL HANDLING SOLUTIONS

(414) 352-9000
(414) 352-9002 FAX
info@pflow.com

PFLOW INDUSTRIES, INC.
6720 North Teutonia Ave.
Milwaukee, WI 53209

C	10/19/18	SJD	18.071
B	10/12/06	PK	06.017
A	02/20/04	BL	04.010
REV	DATE	BY	ECN
REVISIONS			

TITLE		SERIES DB2 DIMENSIONAL INFORMATION		
DATE	SCALE	DRAWING NUMBER	SHT	REV
10/12/06	N.T.S.	9424-0024	1	C
DRAWN	CHECKED		OF	
PK			1	