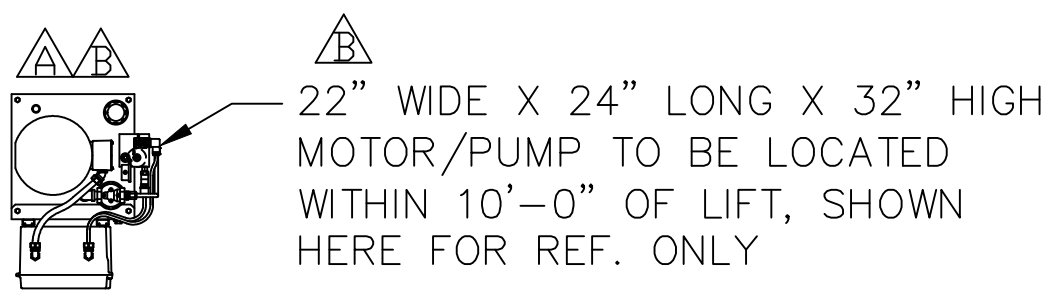


PLAN VIEW - LOWER LEVEL



C	9/28/18	AEB	18.071
B	2/11/13	AEB	12.101
A	1/28/03	AEB	03.002
REV	DATE	BY	ECN
REVISIONS			

- NOTES:**
- 1.) ALL DIMENSIONS SHOWN REPRESENTATIVE OF AVERAGE APPLICATIONS. THESE DIMENSIONS WILL CHANGE BASED ON APPLICATION SPECIFIC CONDITIONS.
 - 2.) CONSULT FACTORY BEFORE CONSTRUCTION OF PIT.
 - 3.) IF CARRIAGE IS OVER 8'-0" SQ. & 4000#, CONSULT FACTORY.

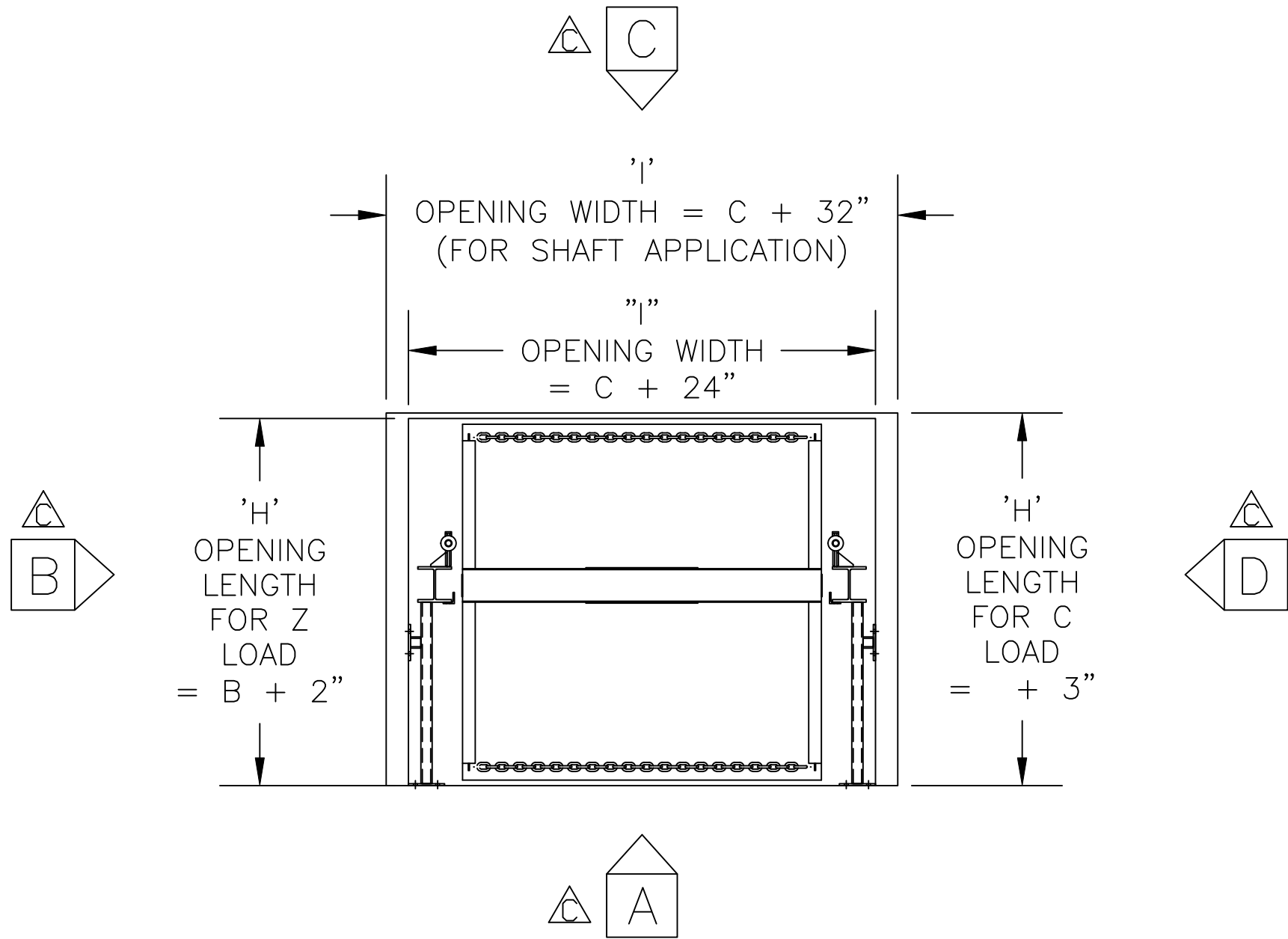


MATERIAL HANDLING SOLUTIONS

6720 N. TEUTONIA AVE.
MILWAUKEE, WI 53209
P (414) 352-9000
F (414) 352-9002

THIS PRINT INCLUDING THE DESIGN AND PRINCIPLES OF CONSTRUCTION IS THE PROPERTY OF PFLOW INDUSTRIES, INC. AND MUST BE RETURNED ON DEMAND. THE INFORMATION CONTAINED HEREON IS CONFIDENTIAL AND MAY NOT BE USED NOR DIVULGED WITHOUT PERMISSION OF PFLOW INDUSTRIES, INC.

TITLE					SERIES 21 (STRADDLE) DIMENSIONAL INFORMATION						
DATE	3/19/96	SCALE	N.T.S.	DRAWING NUMBER	9424-0006			SHT	1	REV	C
DRAWN	AEB	CHECKED						OF	4		



PLAN VIEW - UPPER LEVEL

C	9/28/18	AEB	18.071
B	2/11/13	AEB	12.101
A	1/28/03	AEB	03.002
REV	DATE	BY	ECN
REVISIONS			

NOTES:

- 1.) ALL DIMENSIONS SHOWN REPRESENTATIVE OF AVERAGE APPLICATIONS. THESE DIMENSIONS WILL CHANGE BASED ON APPLICATION SPECIFIC CONDITIONS.
- 2.) CONSULT FACTORY BEFORE CONSTRUCTION OF PIT.
- 3.) IF CARRIAGE IS OVER 8'-0" SQ. & 4000#, CONSULT FACTORY.

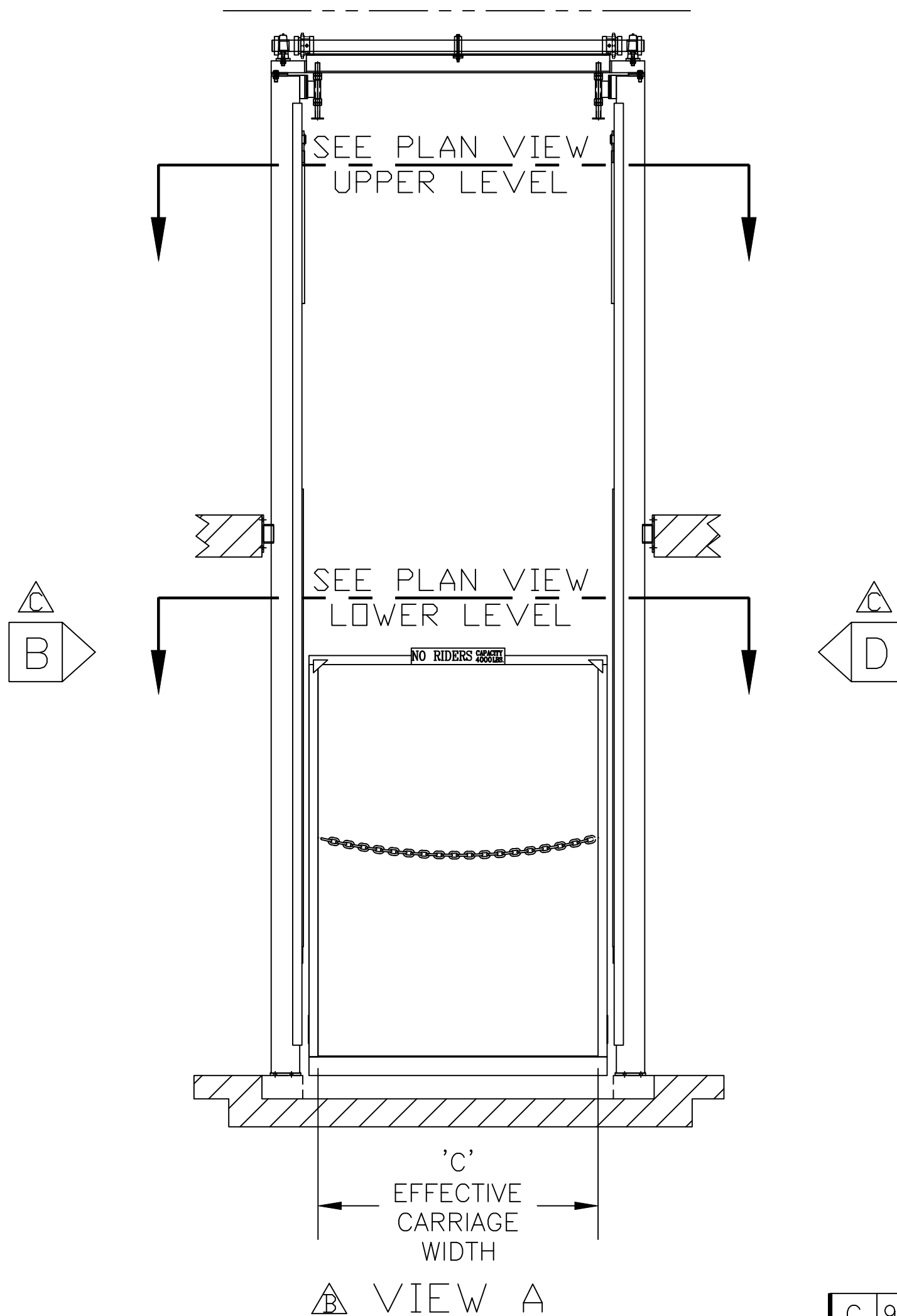


MATERIAL HANDLING SOLUTIONS

6720 N. TEUTONIA AVE.
MILWAUKEE, WI 53209
P (414) 352-9000
F (414) 352-9002

THIS PRINT INCLUDING THE DESIGN AND PRINCIPLES OF CONSTRUCTION IS THE PROPERTY OF PFLOW INDUSTRIES, INC. AND MUST BE RETURNED ON DEMAND. THE INFORMATION CONTAINED HEREON IS CONFIDENTIAL AND MAY NOT BE USED NOR DIVULGED WITHOUT PERMISSION OF PFLOW INDUSTRIES, INC.

TITLE					SERIES 21 (STRADDLE) DIMENSIONAL INFORMATION						
DATE	3/19/96	SCALE	N.T.S.	DRAWING NUMBER	9424-0006			SHT	2	REV	C
DRAWN	AEB	CHECKED						OF	4		



C	9/28/18	AEB	18.071
B	2/11/13	AEB	12.101
A	1/28/03	AEB	03.002
REV	DATE	BY	ECN
REVISIONS			

B/C

NOTES:

- 1.) ALL DIMENSIONS SHOWN REPRESENTATIVE OF AVERAGE APPLICATIONS. THESE DIMENSIONS WILL CHANGE BASED ON APPLICATION SPECIFIC CONDITIONS.
- 2.) CONSULT FACTORY BEFORE CONSTRUCTION OF PIT.
- 3.) IF CARRIAGE IS OVER 8'-0" SQ. & 4000#, CONSULT FACTORY.

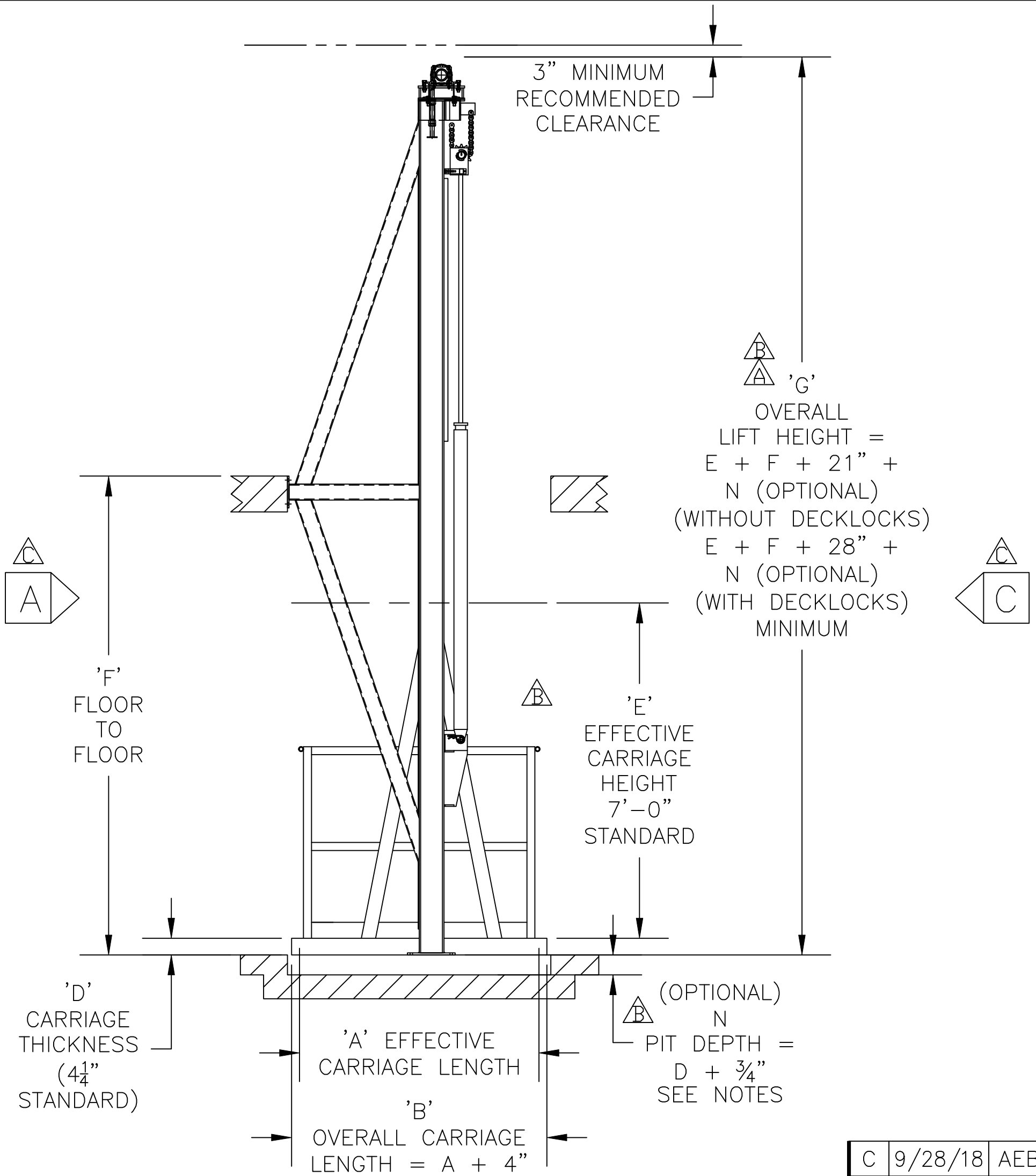


MATERIAL HANDLING SOLUTIONS

6720 N. TEUTONIA AVE.
MILWAUKEE, WI 53209
P (414) 352-9000
F (414) 352-9002

THIS PRINT INCLUDING THE DESIGN AND PRINCIPLES OF CONSTRUCTION IS THE PROPERTY OF PFLOW INDUSTRIES, INC. AND MUST BE RETURNED ON DEMAND. THE INFORMATION CONTAINED HEREON IS CONFIDENTIAL AND MAY NOT BE USED NOR DIVULGED WITHOUT PERMISSION OF PFLOW INDUSTRIES, INC.

TITLE					SERIES 21 (STRADDLE) DIMENSIONAL INFORMATION						
DATE	3/19/96	SCALE	N.T.S.	DRAWING NUMBER	9424-0006			SHT	3	REV	C
DRAWN	AEB	CHECKED					OF	4			



VIEW D

C	9/28/18	AEB	18.071
B	2/11/13	AEB	12.101
A	1/28/03	AEB	03.002
REV	DATE	BY	ECN
REVISIONS			

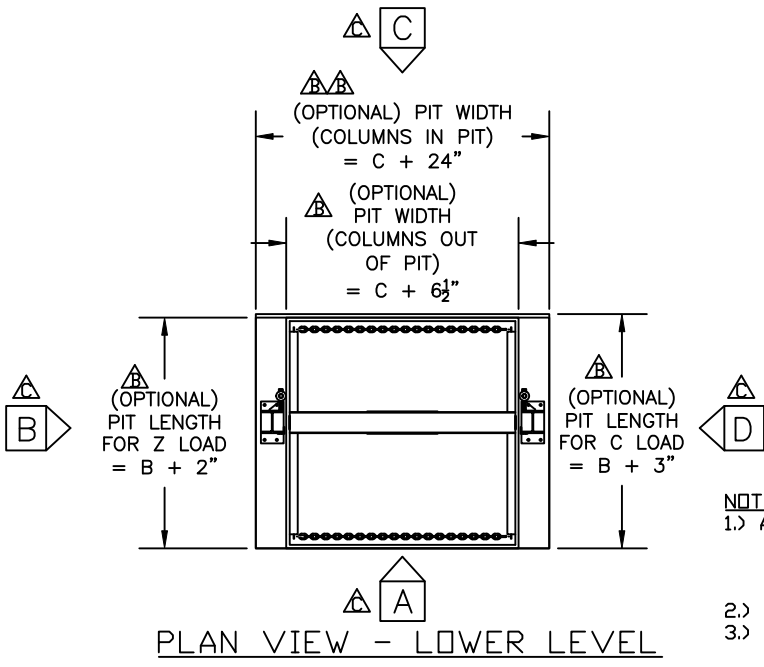
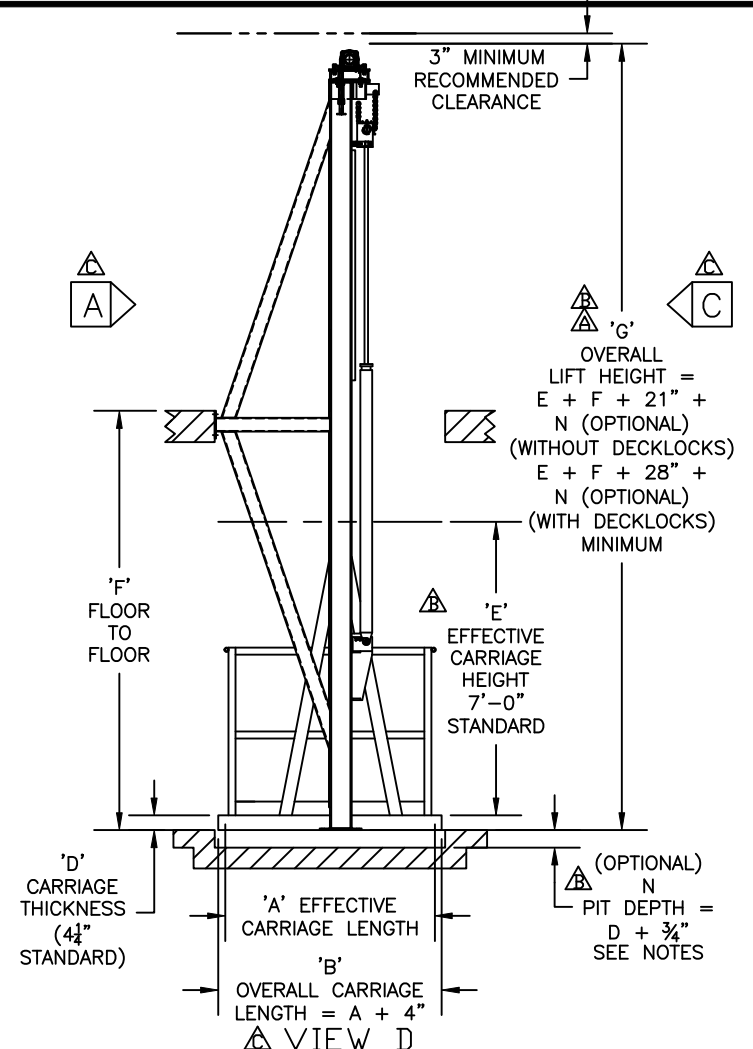
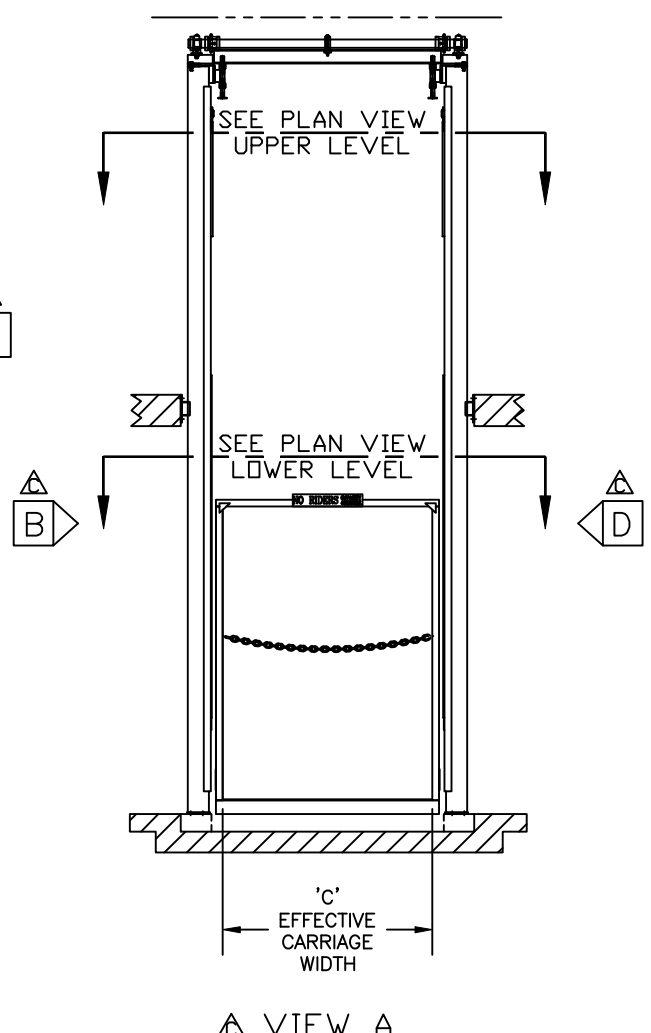
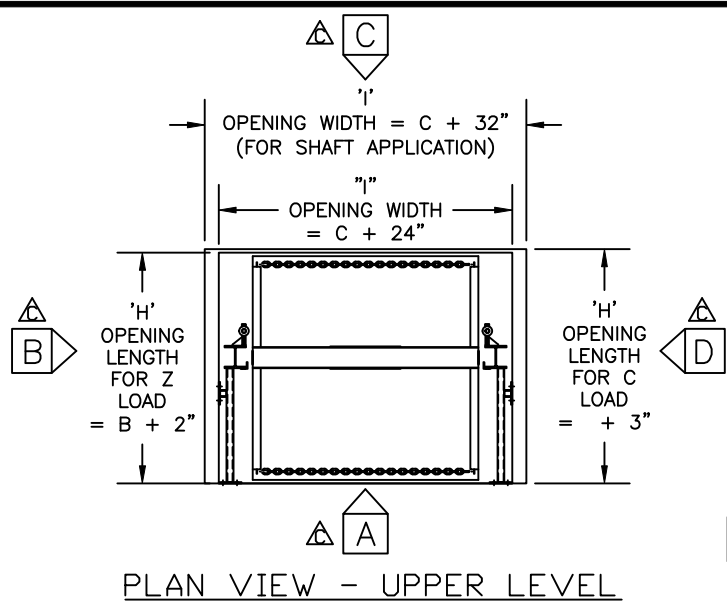
- NOTES:
- 1.) ALL DIMENSIONS SHOWN REPRESENTATIVE OF AVERAGE APPLICATIONS. THESE DIMENSIONS WILL CHANGE BASED ON APPLICATION SPECIFIC CONDITIONS.
 - 2.) CONSULT FACTORY BEFORE CONSTRUCTION OF PIT.
 - 3.) IF CARRIAGE IS OVER 8'-0" SQ. & 4000#, CONSULT FACTORY.



MATERIAL HANDLING SOLUTIONS

6720 N. TEUTONIA AVE.
 MILWAUKEE, WI 53209
 P (414) 352-9000
 F (414) 352-9002

THIS PRINT INCLUDING THE DESIGN AND PRINCIPLES OF CONSTRUCTION IS THE PROPERTY OF PFLOW INDUSTRIES, INC. AND MUST BE RETURNED ON DEMAND. THE INFORMATION CONTAINED HEREON IS CONFIDENTIAL AND MAY NOT BE USED NOR DIVULGED WITHOUT PERMISSION OF PFLOW INDUSTRIES, INC.				
TITLE SERIES 21 (STRADDLE) DIMENSIONAL INFORMATION				
DATE	3/19/96	SCALE	N.T.S.	DRAWING NUMBER
DRAWN	AEB	CHECKED		9424-0006
SHT	4	REV	C	
OF	4			



NOTES:

- 1.) ALL DIMENSIONS SHOWN REPRESENTATIVE OF AVERAGE APPLICATIONS. THESE DIMENSIONS WILL CHANGE BASED ON APPLICATION SPECIFIC CONDITIONS.
- 2.) CONSULT FACTORY BEFORE CONSTRUCTION OF PIT.
- 3.) IF CARRIAGE IS OVER 8'-0" SQ. & 4000#, CONSULT FACTORY.

REV	DATE	BY	ECN
C	9/28/18	AEB	18.071
B	2/11/13	AEB	12.101
A	1/28/03	AEB	03.002

PFLOW INDUSTRIES MATERIAL HANDLING SOLUTIONS

6720 N. TEUTONIA AVE. MILWAUKEE, WI 53209
P (414) 352-9000 F (414) 352-9002

THIS PRINT INCLUDING THE DESIGN AND PRINCIPLES OF CONSTRUCTION IS THE PROPERTY OF PFLOW INDUSTRIES, INC. AND MUST BE RETURNED ON DEMAND. THE INFORMATION CONTAINED HEREON IS CONFIDENTIAL AND MAY NOT BE USED NOR DIVULGED WITHOUT PERMISSION OF PFLOW INDUSTRIES, INC.

TITLE: **SERIES 21 (STRADDLE) DIMENSIONAL INFORMATION**

DATE	SCALE	DRAWING NUMBER	SHT	REV
3/19/96	N.T.S.	9424-0006	1	C

REVISIONS: DRAWN PCP, CHECKED

