

PLAN VIEW - LOWER LEVEL

D	9/28/18	AEB	18.071
C	2/13/13	AEB	12.101
B	11/21/00	MRR	00.029
A	9/29/00	MN	00.019
REV	DATE	BY	ECN
REVISIONS			

NOTES:

- 1.) ALL DIMENSIONS SHOWN REPRESENTATIVE OF AVERAGE APPLICATIONS. THESE DIMENSIONS WILL CHANGE BASED ON APPLICATION SPECIFIC CONDITIONS.
- 2.) CONSULT FACTORY BEFORE CONSTRUCTION OF PIT.
- 3.) IF CARRIAGE IS OVER 8'-0" SQ. & 4000#, CONSULT FACTORY.
- 4.) LOAD HEIGHT IS RELEVANT TO THE OVERALL HEIGHT OF THIS UNIT.



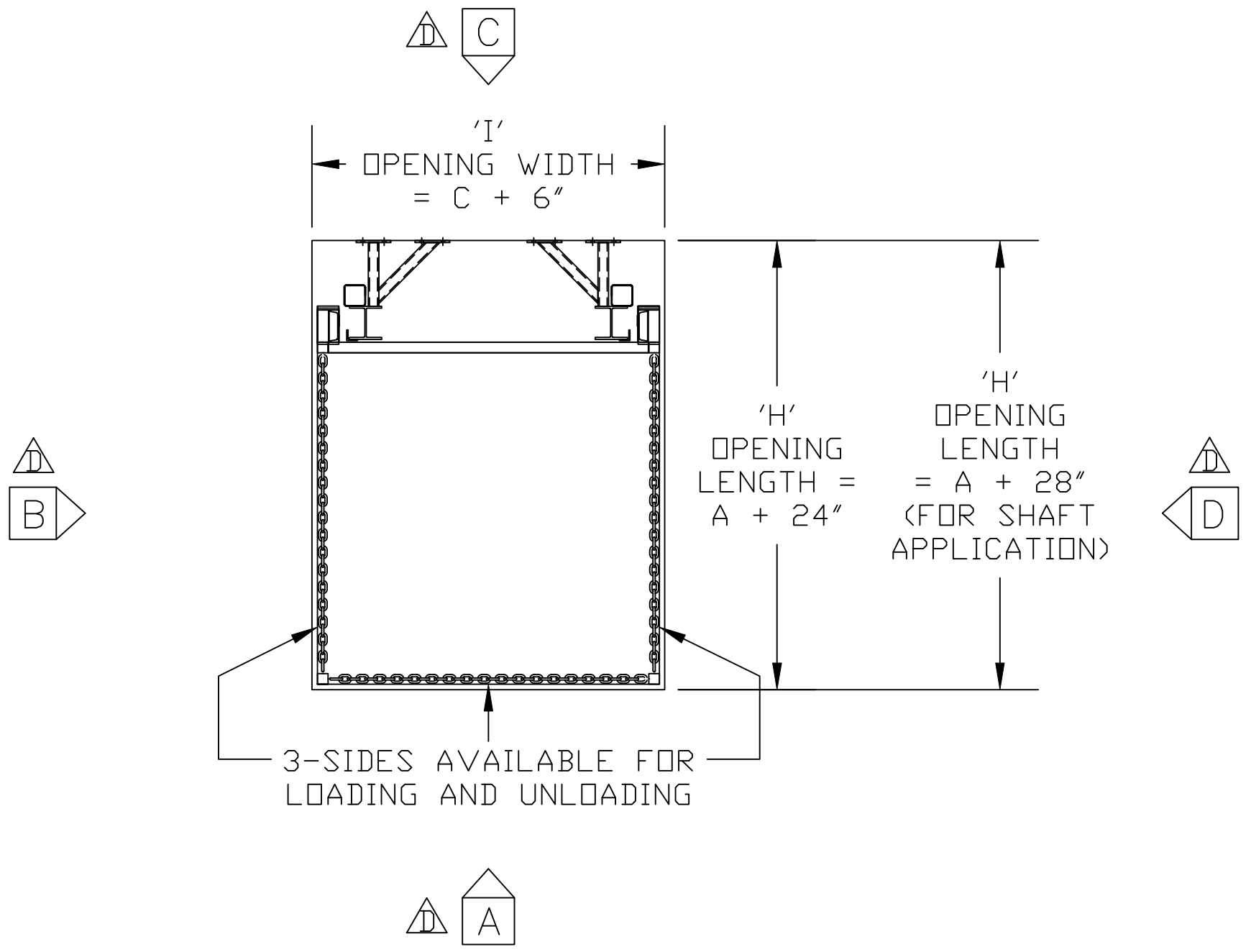
**MATERIAL HANDLING SOLUTIONS**

6720 N. TEUTONIA AVE.  
MILWAUKEE, WI 53209  
P (414) 352-9000  
F (414) 352-9002

THIS PRINT INCLUDING THE DESIGN AND PRINCIPLES OF CONSTRUCTION IS THE PROPERTY OF PFLOW INDUSTRIES, INC. AND MUST BE RETURNED ON DEMAND. THE INFORMATION CONTAINED HEREON IS CONFIDENTIAL AND MAY NOT BE USED NOR DIVULGED WITHOUT PERMISSION OF PFLOW INDUSTRIES, INC.

TITLE  
 SERIES M (CANTILEVER)  
 DIMENSIONAL INFORMATION

DATE	3/19/96	SCALE	N.T.S.	DRAWING NUMBER	9424-0003	SHT	1	REV	D
DRAWN	PCP	CHECKED				OF	4		



PLAN VIEW - UPPER LEVEL

D	9/28/18	AEB	18.071
C	2/13/13	AEB	12.101
B	11/21/00	MRR	00.029
A	9/29/00	MN	00.019
REV	DATE	BY	ECN
<b>REVISIONS</b>			

**NOTES:**

- 1.) ALL DIMENSIONS SHOWN REPRESENTATIVE OF AVERAGE APPLICATIONS. THESE DIMENSIONS WILL CHANGE BASED ON APPLICATION SPECIFIC CONDITIONS.
- 2.) CONSULT FACTORY BEFORE CONSTRUCTION OF PIT.
- 3.) IF CARRIAGE IS OVER 8'-0" SQ. & 4000#, CONSULT FACTORY.
- 4.) LOAD HEIGHT IS RELEVANT TO THE OVERALL HEIGHT OF THIS UNIT.



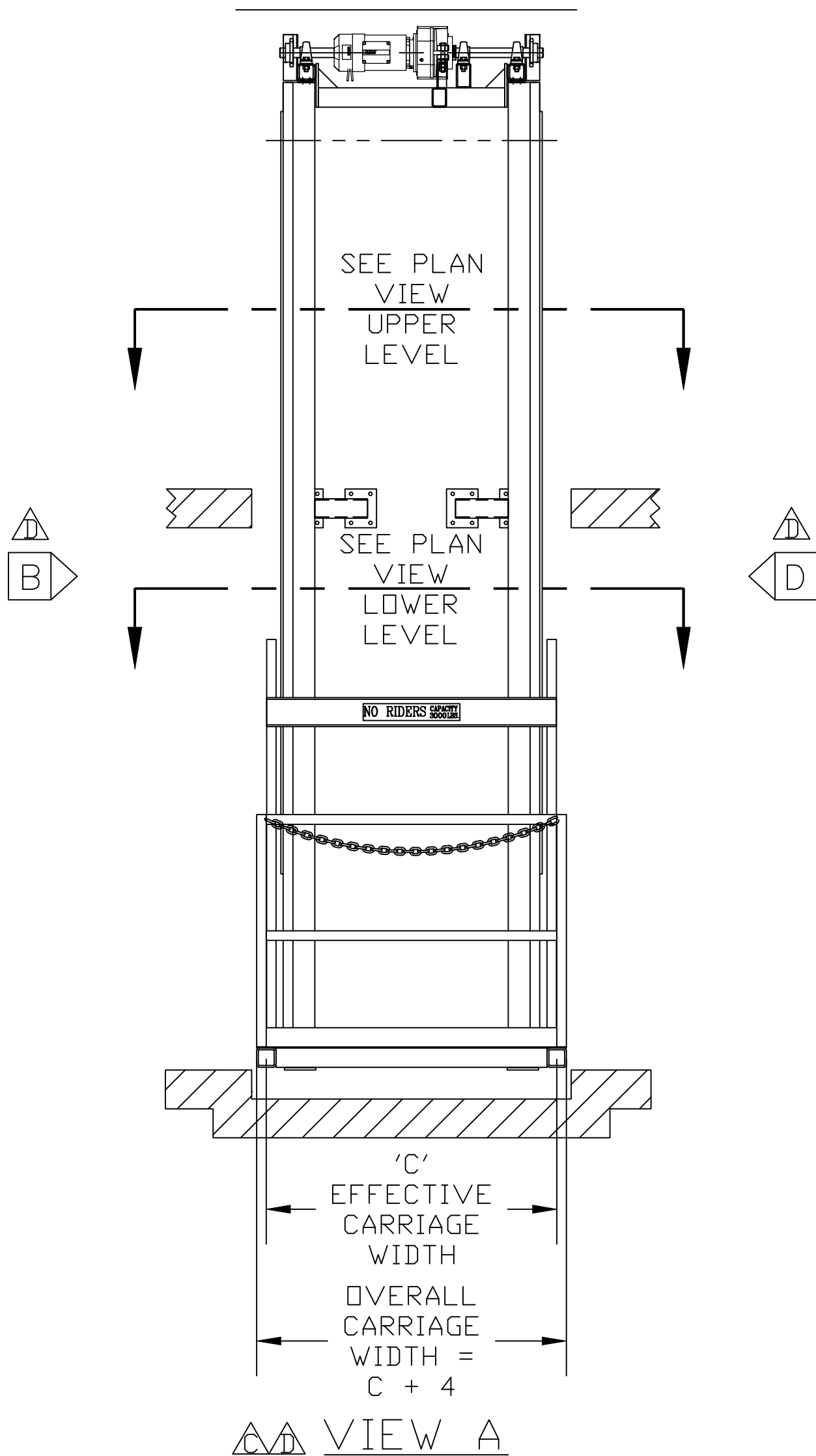
**MATERIAL HANDLING SOLUTIONS**

6720 N. TEUTONIA AVE.  
 MILWAUKEE, WI 53209  
 P (414) 352-9000  
 F (414) 352-9002

THIS PRINT INCLUDING THE DESIGN AND PRINCIPLES OF CONSTRUCTION IS THE PROPERTY OF PFLOW INDUSTRIES, INC. AND MUST BE RETURNED ON DEMAND. THE INFORMATION CONTAINED HEREON IS CONFIDENTIAL AND MAY NOT BE USED NOR DIVULGED WITHOUT PERMISSION OF PFLOW INDUSTRIES, INC.

TITLE SERIES M (CANTILEVER)  
DIMENSIONAL INFORMATION

DATE	3/19/96	SCALE	N.T.S.	DRAWING NUMBER	9424-0003	SHT	2	REV	D
DRAWN	PCP	CHECKED				OF	4		



D	9/28/18	AEB	18.071
C	2/13/13	AEB	12.101
B	11/21/00	MRR	00.029
A	9/29/00	MN	00.019
REV	DATE	BY	ECN

REVISIONS

NOTES:

- 1.) ALL DIMENSIONS SHOWN REPRESENTATIVE OF AVERAGE APPLICATIONS. THESE DIMENSIONS WILL CHANGE BASED ON APPLICATION SPECIFIC CONDITIONS.
- 2.) CONSULT FACTORY BEFORE CONSTRUCTION OF PIT.
- 3.) IF CARRIAGE IS OVER 8'-0" SQ. & 4000#, CONSULT FACTORY.
- 4.) LOAD HEIGHT IS RELEVANT TO THE OVERALL HEIGHT OF THIS UNIT.



VIEW A



**MATERIAL HANDLING SOLUTIONS**

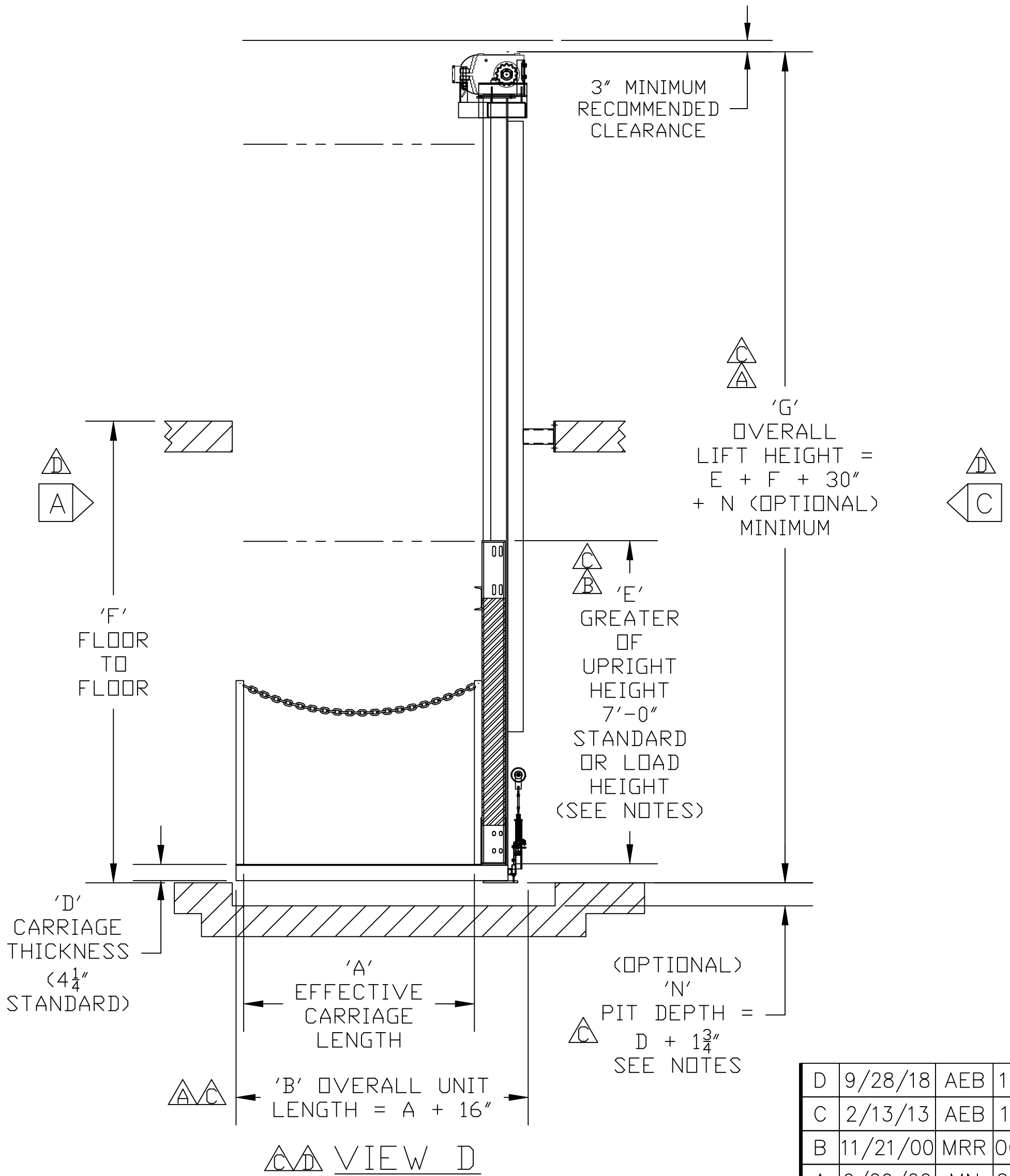
6720 N. TEUTONIA AVE.  
MILWAUKEE, WI 53209  
P (414) 352-9000  
F (414) 352-9002

THIS PRINT INCLUDING THE DESIGN AND PRINCIPLES OF CONSTRUCTION IS THE PROPERTY OF PFLOW INDUSTRIES, INC. AND MUST BE RETURNED ON DEMAND. THE INFORMATION CONTAINED HEREON IS CONFIDENTIAL AND MAY NOT BE USED NOR DIVULGED WITHOUT PERMISSION OF PFLOW INDUSTRIES, INC.

TITLE

SERIES M (CANTILEVER)  
DIMENSIONAL INFORMATION

DATE	3/19/96	SCALE	N.T.S.	DRAWING NUMBER	9424-0003	SHT	3	REV	D
DRAWN	PCP	CHECKED				OF	4		



D	9/28/18	AEB	18.071
C	2/13/13	AEB	12.101
B	11/21/00	MRR	00.029
A	9/29/00	MN	00.019
REV	DATE	BY	ECN
REVISIONS			

**NOTES:**

- 1.) ALL DIMENSIONS SHOWN REPRESENTATIVE OF AVERAGE APPLICATIONS. THESE DIMENSIONS WILL CHANGE BASED ON APPLICATION SPECIFIC CONDITIONS.
- 2.) CONSULT FACTORY BEFORE CONSTRUCTION OF PIT.
- 3.) IF CARRIAGE IS OVER 8'-0" SQ. & 4000#, CONSULT FACTORY.
- 4.) LOAD HEIGHT IS RELEVANT TO THE OVERALL HEIGHT OF THIS UNIT.

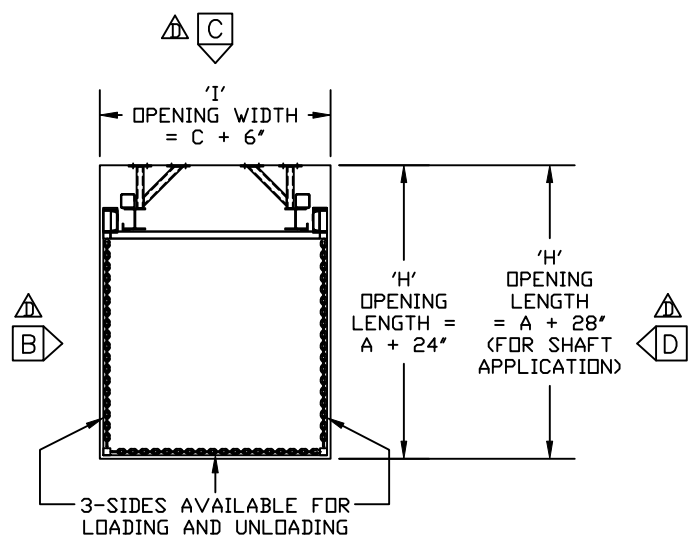


**MATERIAL HANDLING SOLUTIONS**

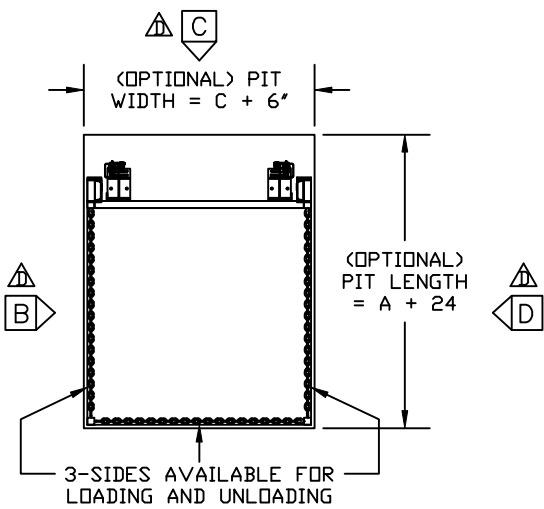
6720 N. TEUTONIA AVE.  
MILWAUKEE, WI 53209  
P (414) 352-9000  
F (414) 352-9002

THIS PRINT INCLUDING THE DESIGN AND PRINCIPLES OF CONSTRUCTION IS THE PROPERTY OF PFLOW INDUSTRIES, INC. AND MUST BE RETURNED ON DEMAND. THE INFORMATION CONTAINED HEREON IS CONFIDENTIAL AND MAY NOT BE USED NOR DIVULGED WITHOUT PERMISSION OF PFLOW INDUSTRIES, INC.

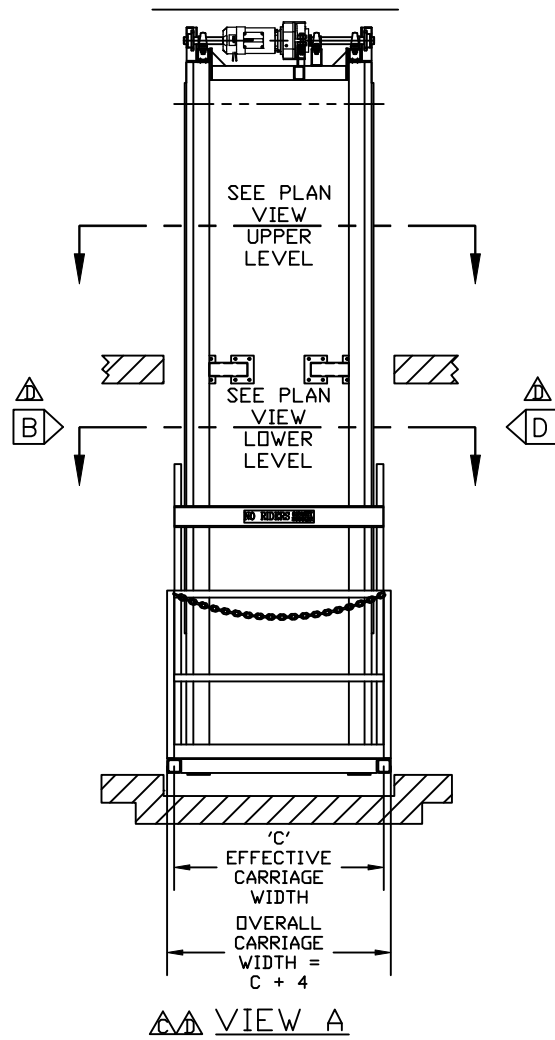
TITLE					SERIES M (CANTILEVER) DIMENSIONAL INFORMATION				
DATE	3/19/96	SCALE	N.T.S.	DRAWING NUMBER	9424-0003			SHT	4
DRAWN	PCP	CHECKED					OF	4	
								REV	D



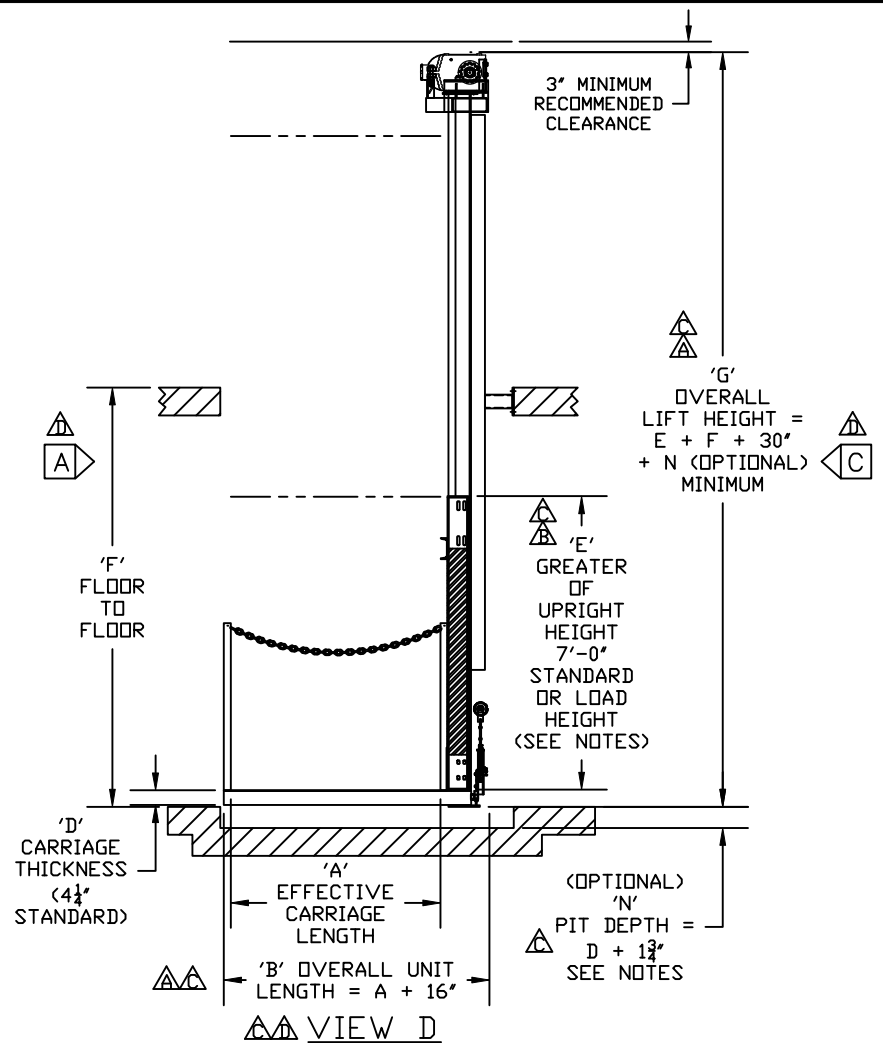
PLAN VIEW - UPPER LEVEL



PLAN VIEW - LOWER LEVEL



VIEW A



VIEW D

- NOTES:**
- 1.) ALL DIMENSIONS SHOWN REPRESENTATIVE OF AVERAGE APPLICATIONS. THESE DIMENSIONS WILL CHANGE BASED ON APPLICATION SPECIFIC CONDITIONS.
  - 2.) CONSULT FACTORY BEFORE CONSTRUCTION OF PIT.
  - 3.) IF CARRIAGE IS OVER 8'-0" SQ. & 4000#, CONSULT FACTORY.
  - 4.) LOAD HEIGHT IS RELEVANT TO THE OVERALL HEIGHT OF THIS UNIT.



**MATERIAL HANDLING SOLUTIONS**

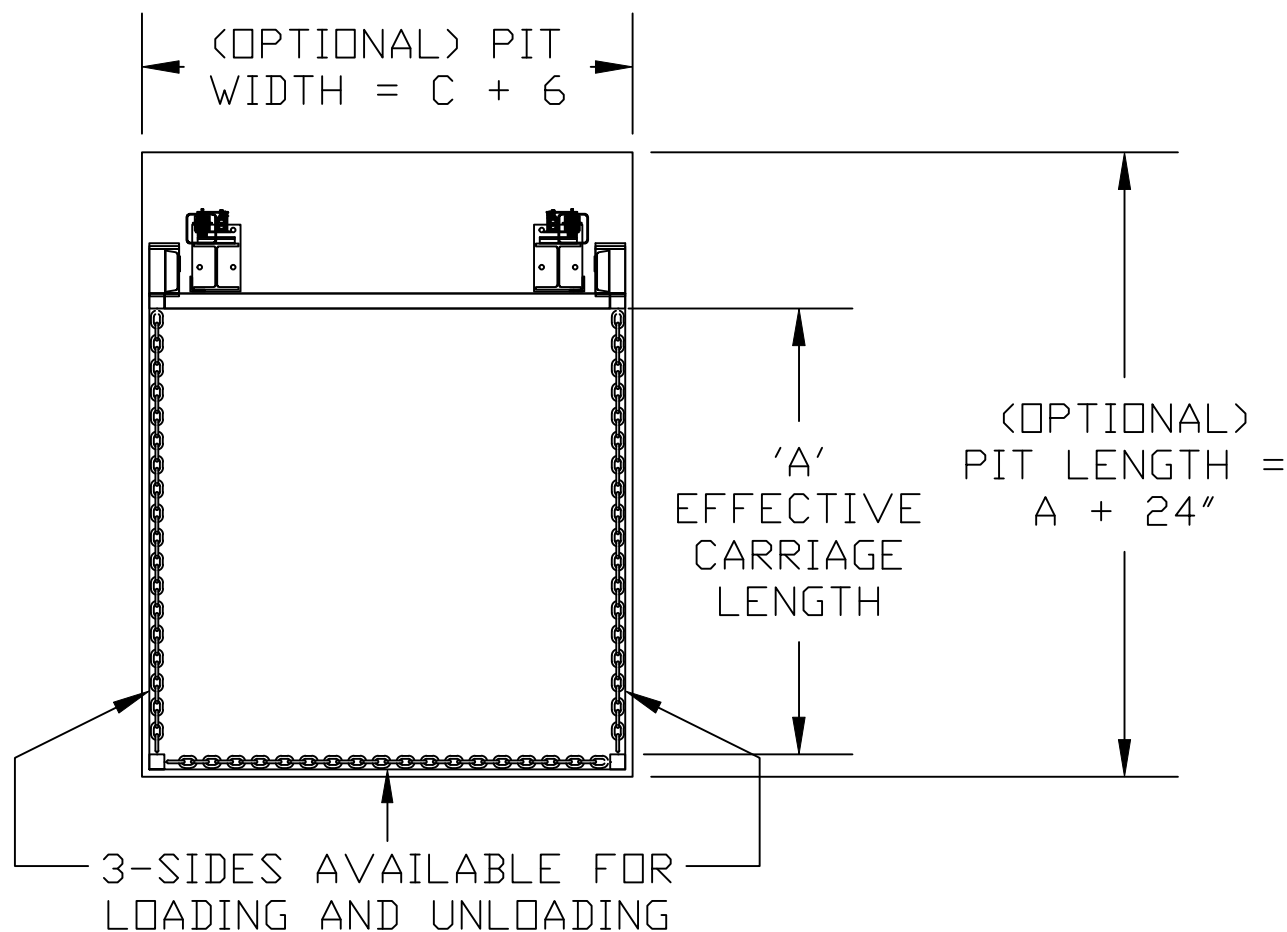
6720 N. TEUTONIA AVE.  
MILWAUKEE, WI 53209  
P (414) 352-9000  
F (414) 352-9002

THIS PRINT INCLUDING THE DESIGN AND PRINCIPLES OF CONSTRUCTION IS THE PROPERTY OF PFLOW INDUSTRIES, INC. AND MUST BE RETURNED ON DEMAND. THE INFORMATION CONTAINED HEREON IS CONFIDENTIAL AND MAY NOT BE USED NOR DIVULGED WITHOUT PERMISSION OF PFLOW INDUSTRIES, INC.

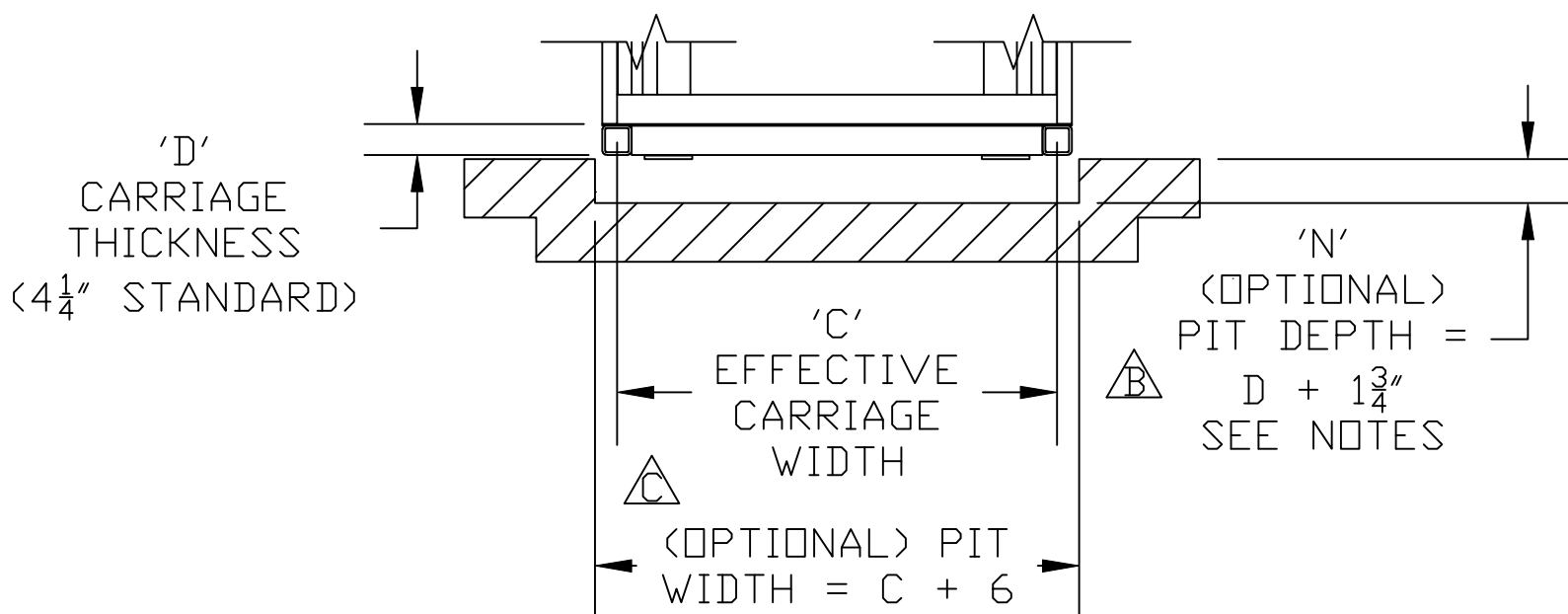
D	9/28/18	AEB	18.071
C	2/13/13	AEB	12.101
B	11/21/00	MRR	00.029
A	9/29/00	MN	00.019

TITLE: **SERIES M (CANTILEVER) DIMENSIONAL INFORMATION**

DATE	3/19/96	SCALE	N.T.S.	DRAWING NUMBER	9424-0003	SHT	1	REV	D
REVISIONS	DRAWN	PCP	CHECKED			OF	1		



PLAN VIEW - LOWER LEVEL



VIEW A

C	9/28/18	AEB	18.071
B	2/13/13	AEB	12.101
A	3/5/03	DMB	03.007
REV	DATE	BY	ECN
REVISIONS			

NOTES:

- 1.) ALL DIMENSIONS SHOWN REPRESENTATIVE OF AVERAGE APPLICATIONS. THESE DIMENSIONS WILL CHANGE BASED ON APPLICATION SPECIFIC CONDITIONS.
- 2.) CONSULT FACTORY BEFORE CONSTRUCTION OF PIT.
- 3.) IF CARRIAGE IS OVER 8'-0" SQ. & 4000#, CONSULT FACTORY.



**MATERIAL HANDLING SOLUTIONS**

6720 N. TEUTONIA AVE.  
MILWAUKEE, WI 53209  
P (414) 352-9000  
F (414) 352-9002

THIS PRINT INCLUDING THE DESIGN AND PRINCIPLES OF CONSTRUCTION IS THE PROPERTY OF PFLOW INDUSTRIES, INC. AND MUST BE RETURNED ON DEMAND. THE INFORMATION CONTAINED HEREON IS CONFIDENTIAL AND MAY NOT BE USED NOR DIVULGED WITHOUT PERMISSION OF PFLOW INDUSTRIES, INC.

TITLE  
 SERIES M (CANTILEVER)  
 PIT DIMENSIONAL INFORMATION

DATE	3/19/96	SCALE	N.T.S.	DRAWING NUMBER	SHT	REV
DRAWN	PCP	CHECKED		9424-0003-PIT	1	C
					OF 1	