

PLAN VIEW - LOWER LEVEL



NOTES:

1. ALL DIMENSIONS SHOWN ARE REPRESENTATIVE OF AVERAGE APPLICATIONS. THESE DIMENSIONS WILL CHANGE BASED ON APPLICATION SPECIFIC CONDITIONS.
2. CONSULT FACTORY BEFORE CONSTRUCTION OF PIT.
3. IF CARRIAGE IS OVER 6'-0" SQ. OR 3000#, CONSULT FACTORY.
4. LOAD HEIGHT IS NOT RELEVANT TO THE BACKFRAME HEIGHT OF THIS UNIT.
5. ACTUAL OVERALL UNIT HEIGHT MAY BE LESS BASED ON APPLICATION. CONSULT FACTORY FOR ACTUAL HEIGHT.

G	10/26/18	AEB	18.071
F	4/25/13	AEB	12.101
E	10.13.06	MRR	06.017
D	12/13/01	MN	01.030
C	2/4/99	MHS	98.052
B	12/12/97	MHS	97.057
REV	DATE	BY	ECN
REVISIONS			

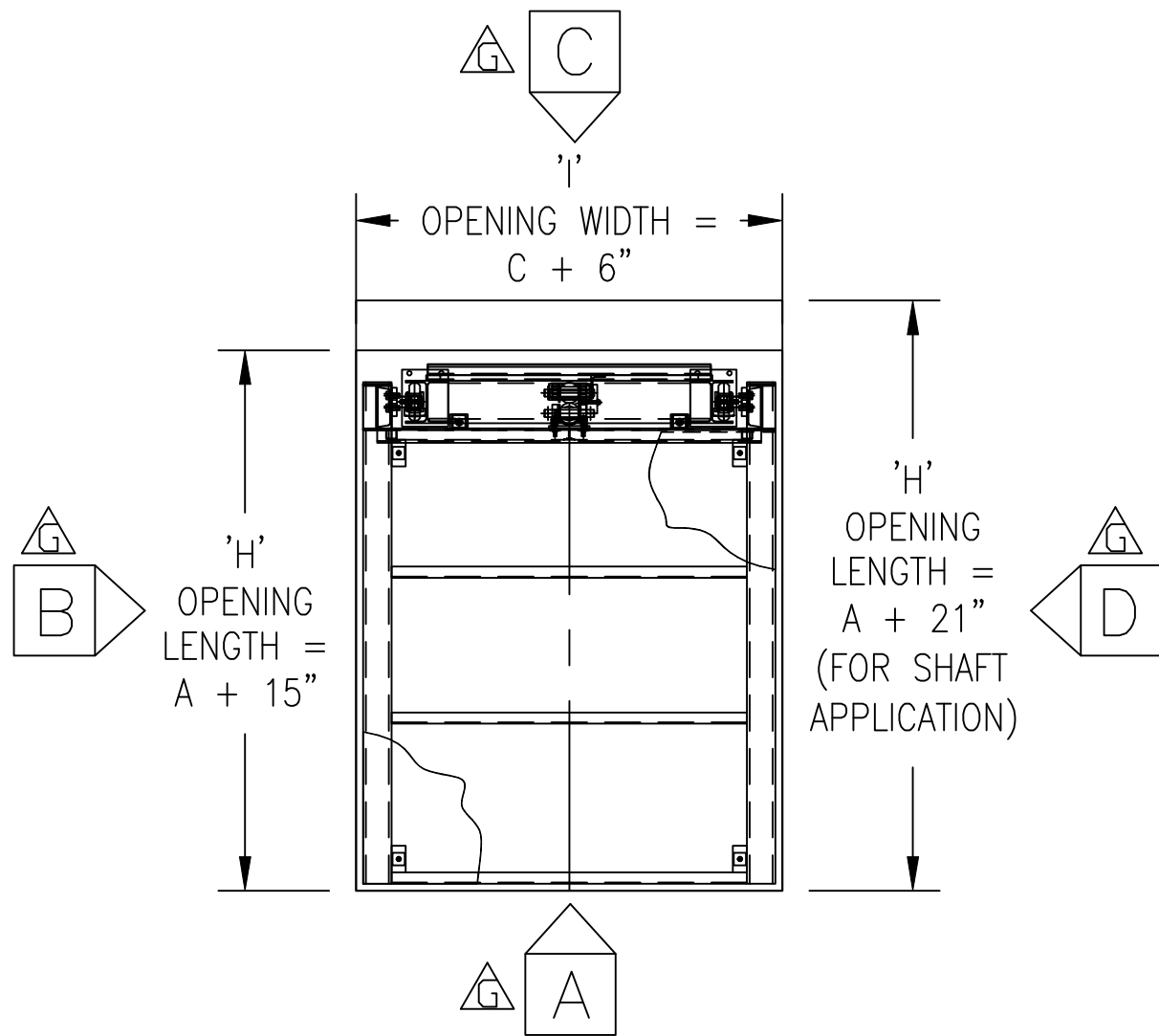


MATERIAL HANDLING SOLUTIONS

6720 N. TEUTONIA AVE.
MILWAUKEE, WI 53209
P (414) 352-9000
F (414) 352-9002

THIS PRINT INCLUDING THE DESIGN AND PRINCIPLES OF CONSTRUCTION IS THE PROPERTY OF PFLOW INDUSTRIES, INC. AND MUST BE RETURNED ON DEMAND. THE INFORMATION CONTAINED HEREON IS CONFIDENTIAL AND MAY NOT BE USED NOR DIVULGED WITHOUT PERMISSION OF PFLOW INDUSTRIES, INC.

TITLE				
SERIES D DIMENSIONAL INFORMATION				
DATE	3/19/96	SCALE	N.T.S.	DRAWING NUMBER
DRAWN	PCP	CHECKED		9424-0008
SHT	1	REV	G	
OF	4			



PLAN VIEW - UPPER LEVEL

G	10/26/18	AEB	18.071
F	4/25/13	AEB	12.101
E	10.13.06	MRR	06.017
D	12/13/01	MN	01.030
C	2/4/99	MHS	98.052
B	12/12/97	MHS	97.057
REV	DATE	BY	ECN
REVISIONS			



NOTES:

1. ALL DIMENSIONS SHOWN ARE REPRESENTATIVE OF AVERAGE APPLICATIONS. THESE DIMENSIONS WILL CHANGE BASED ON APPLICATION SPECIFIC CONDITIONS.
2. CONSULT FACTORY BEFORE CONSTRUCTION OF PIT.
3. IF CARRIAGE IS OVER 6'-0" SQ. OR 3000#, CONSULT FACTORY.
4. LOAD HEIGHT IS NOT RELEVANT TO THE BACKFRAME HEIGHT OF THIS UNIT.
5. ACTUAL OVERALL UNIT HEIGHT MAY BE LESS BASED ON APPLICATION. CONSULT FACTORY FOR ACTUAL HEIGHT.



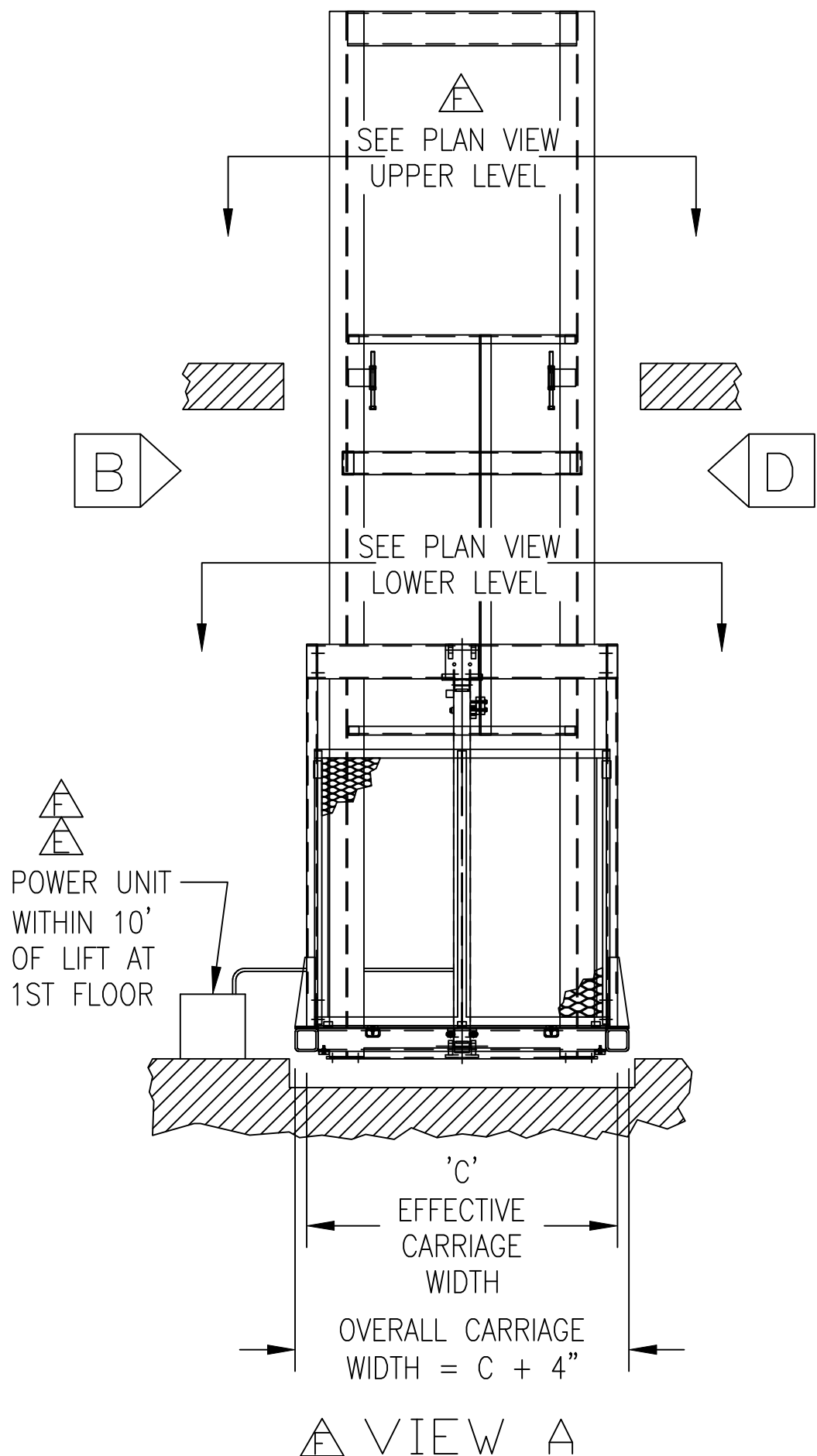
MATERIAL HANDLING SOLUTIONS

6720 N. TEUTONIA AVE.
MILWAUKEE, WI 53209
P (414) 352-9000
F (414) 352-9002

THIS PRINT INCLUDING THE DESIGN AND PRINCIPLES OF CONSTRUCTION IS THE PROPERTY OF PFLOW INDUSTRIES, INC. AND MUST BE RETURNED ON DEMAND. THE INFORMATION CONTAINED HEREON IS CONFIDENTIAL AND MAY NOT BE USED NOR DIVULGED WITHOUT PERMISSION OF PFLOW INDUSTRIES, INC.

TITLE
SERIES D
 DIMENSIONAL INFORMATION

DATE	3/19/96	SCALE	N.T.S.	DRAWING NUMBER	9424-0008	SHT	2	REV	G
DRAWN	PCP	CHECKED				OF	4		



G	10/26/18	AEB	18.071
F	4/25/13	AEB	12.101
E	10.13.06	MRR	06.017
D	12/13/01	MN	01.030
C	2/4/99	MHS	98.052
B	12/12/97	MHS	97.057
REV	DATE	BY	ECN
REVISIONS			

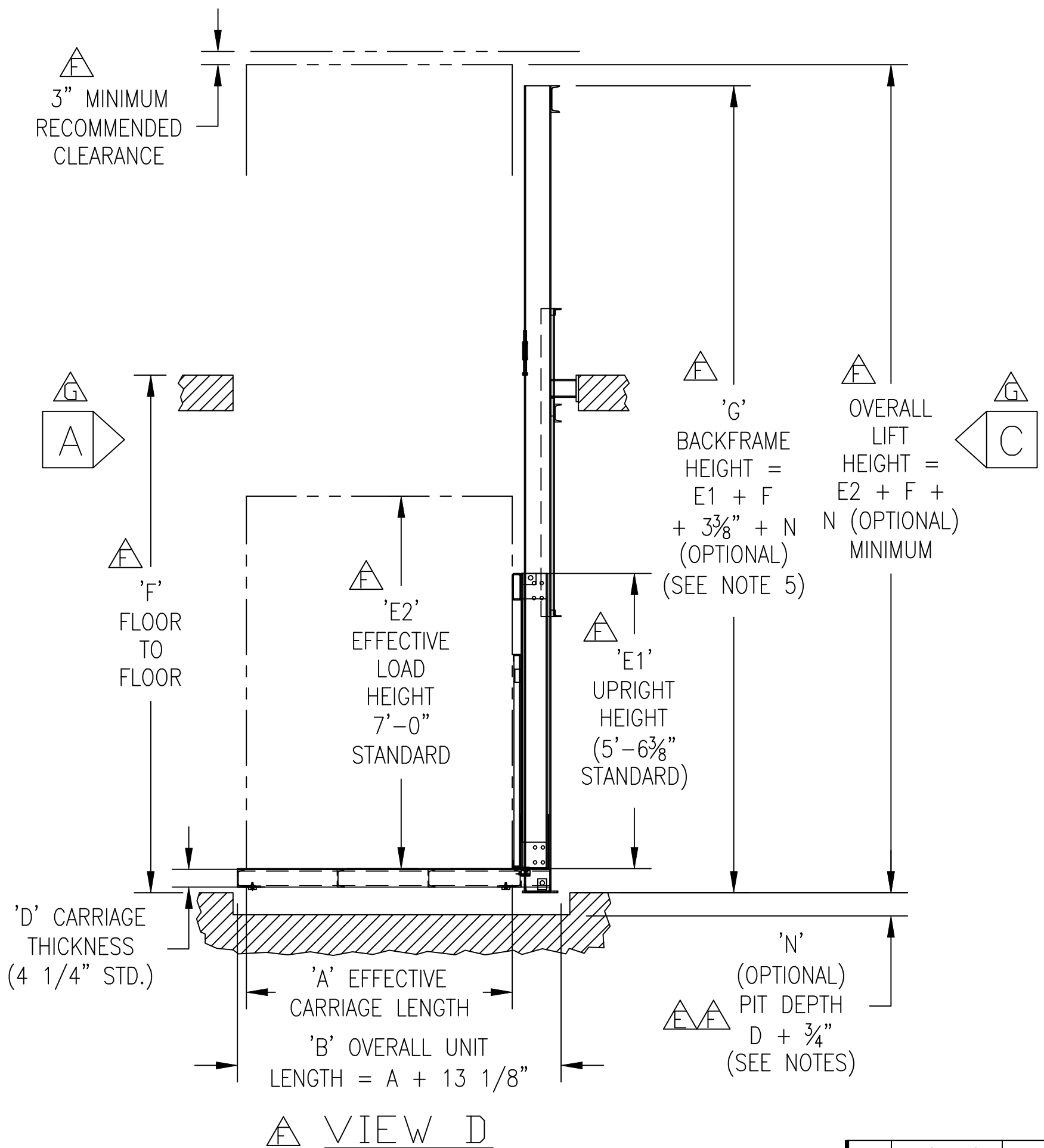
- NOTES:
1. ALL DIMENSIONS SHOWN ARE REPRESENTATIVE OF AVERAGE APPLICATIONS. THESE DIMENSIONS WILL CHANGE BASED ON APPLICATION SPECIFIC CONDITIONS.
 2. CONSULT FACTORY BEFORE CONSTRUCTION OF PIT.
 3. IF CARRIAGE IS OVER 6'-0" SQ. OR 3000#, CONSULT FACTORY.
 4. LOAD HEIGHT IS NOT RELEVANT TO THE BACKFRAME HEIGHT OF THIS UNIT.
 5. ACTUAL OVERALL UNIT HEIGHT MAY BE LESS BASED ON APPLICATION. CONSULT FACTORY FOR ACTUAL HEIGHT.


MATERIAL HANDLING SOLUTIONS

6720 N. TEUTONIA AVE.
 MILWAUKEE, WI 53209
 P (414) 352-9000
 F (414) 352-9002

THIS PRINT INCLUDING THE DESIGN AND PRINCIPLES OF CONSTRUCTION IS THE PROPERTY OF PFLOW INDUSTRIES, INC. AND MUST BE RETURNED ON DEMAND. THE INFORMATION CONTAINED HEREON IS CONFIDENTIAL AND MAY NOT BE USED NOR DIVULGED WITHOUT PERMISSION OF PFLOW INDUSTRIES, INC.

TITLE					SERIES D DIMENSIONAL INFORMATION						
DATE	3/19/96	SCALE	N.T.S.	DRAWING NUMBER	9424-0008			SHT	3	REV	G
DRAWN	PCP	CHECKED						OF	4		



NOTES:

1. ALL DIMENSIONS SHOWN ARE REPRESENTATIVE OF AVERAGE APPLICATIONS. THESE DIMENSIONS WILL CHANGE BASED ON APPLICATION SPECIFIC CONDITIONS.
2. CONSULT FACTORY BEFORE CONSTRUCTION OF PIT.
3. IF CARRIAGE IS OVER 6'-0" SQ. OR 3000#, CONSULT FACTORY.
4. LOAD HEIGHT IS NOT RELEVANT TO THE BACKFRAME HEIGHT OF THIS UNIT.
5. ACTUAL OVERALL UNIT HEIGHT MAY BE LESS BASED ON APPLICATION. CONSULT FACTORY FOR ACTUAL HEIGHT.

G	10/26/18	AEB	18.071
F	4/25/13	AEB	12.101
E	10.13.06	MRR	06.017
D	12/13/01	MN	01.030
C	2/4/99	MHS	98.052
B	12/12/97	MHS	97.057
REV	DATE	BY	ECN
REVISIONS			



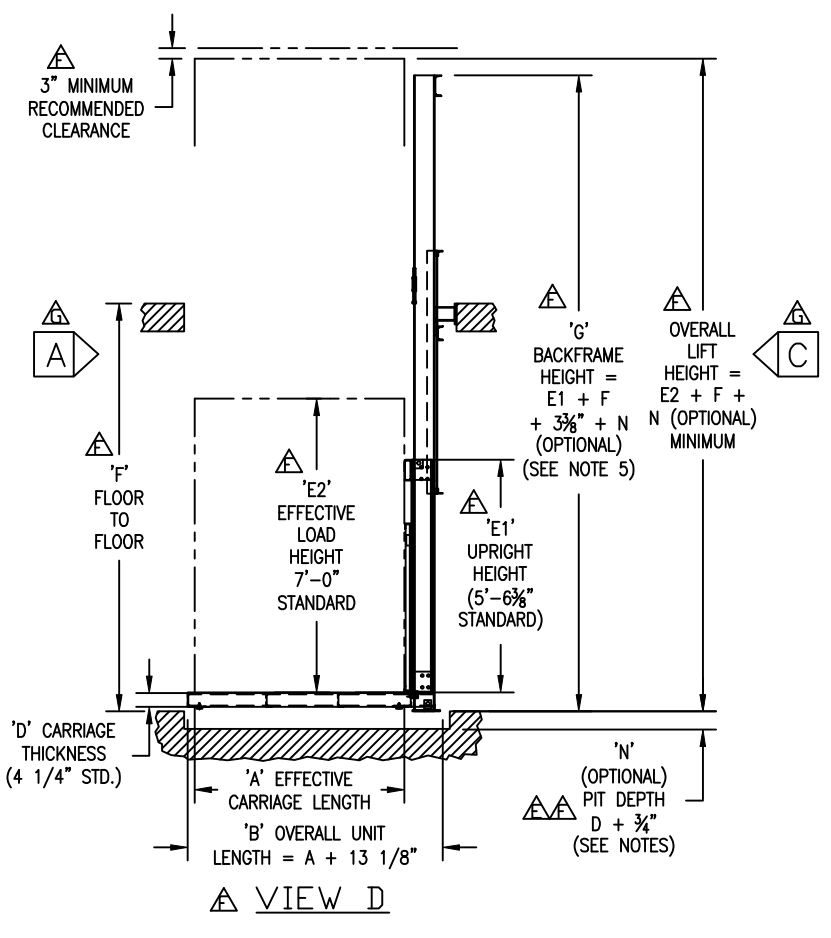
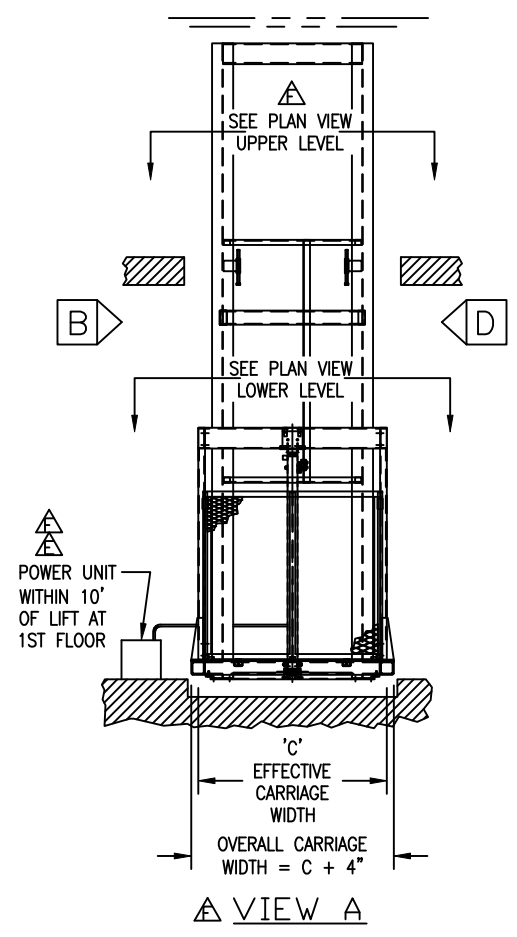
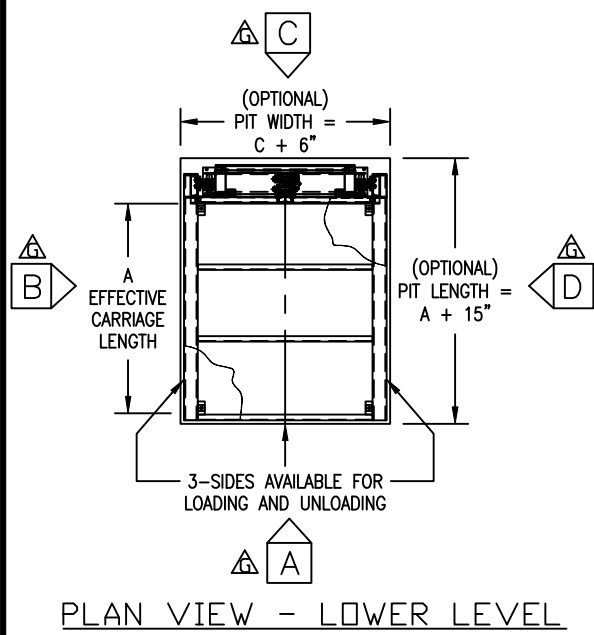
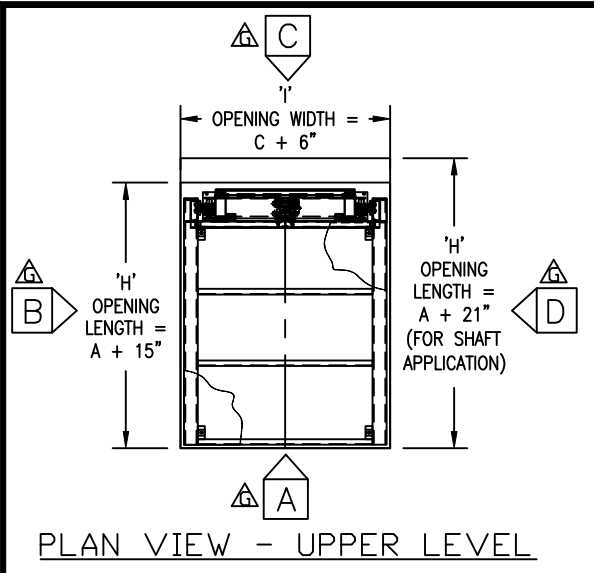
MATERIAL HANDLING SOLUTIONS

6720 N. TEUTONIA AVE.
MILWAUKEE, WI 53209
P (414) 352-9000
F (414) 352-9002

THIS PRINT INCLUDING THE DESIGN AND PRINCIPLES OF CONSTRUCTION IS THE PROPERTY OF PFLOW INDUSTRIES, INC. AND MUST BE RETURNED ON DEMAND. THE INFORMATION CONTAINED HEREON IS CONFIDENTIAL AND MAY NOT BE USED NOR DIVULGED WITHOUT PERMISSION OF PFLOW INDUSTRIES, INC.

TITLE
**SERIES D
DIMENSIONAL INFORMATION**

DATE	3/19/96	SCALE	N.T.S.	DRAWING NUMBER	9424-0008	SHT	4	REV	G
DRAWN	PCP	CHECKED				OF	4		



- NOTES:
1. ALL DIMENSIONS SHOWN ARE REPRESENTATIVE OF AVERAGE APPLICATION. THESE DIMENSIONS WILL CHANGE BASED ON APPLICATION SPECIFIC CONDITIONS.
 2. CONSULT FACTORY BEFORE CONSTRUCTION OF PIT.
 3. IF CARRIAGE IS OVER 6'-0" SQ. OR 3000#, CONSULT FACTORY.
 4. LOAD HEIGHT IS NOT RELEVANT TO THE BACKFRAME HEIGHT OF THIS UNIT.
 5. ACTUAL OVERALL UNIT HEIGHT MAY BE LESS BASED ON APPLICATION. CONSULT FACTORY FOR ACTUAL HEIGHT.

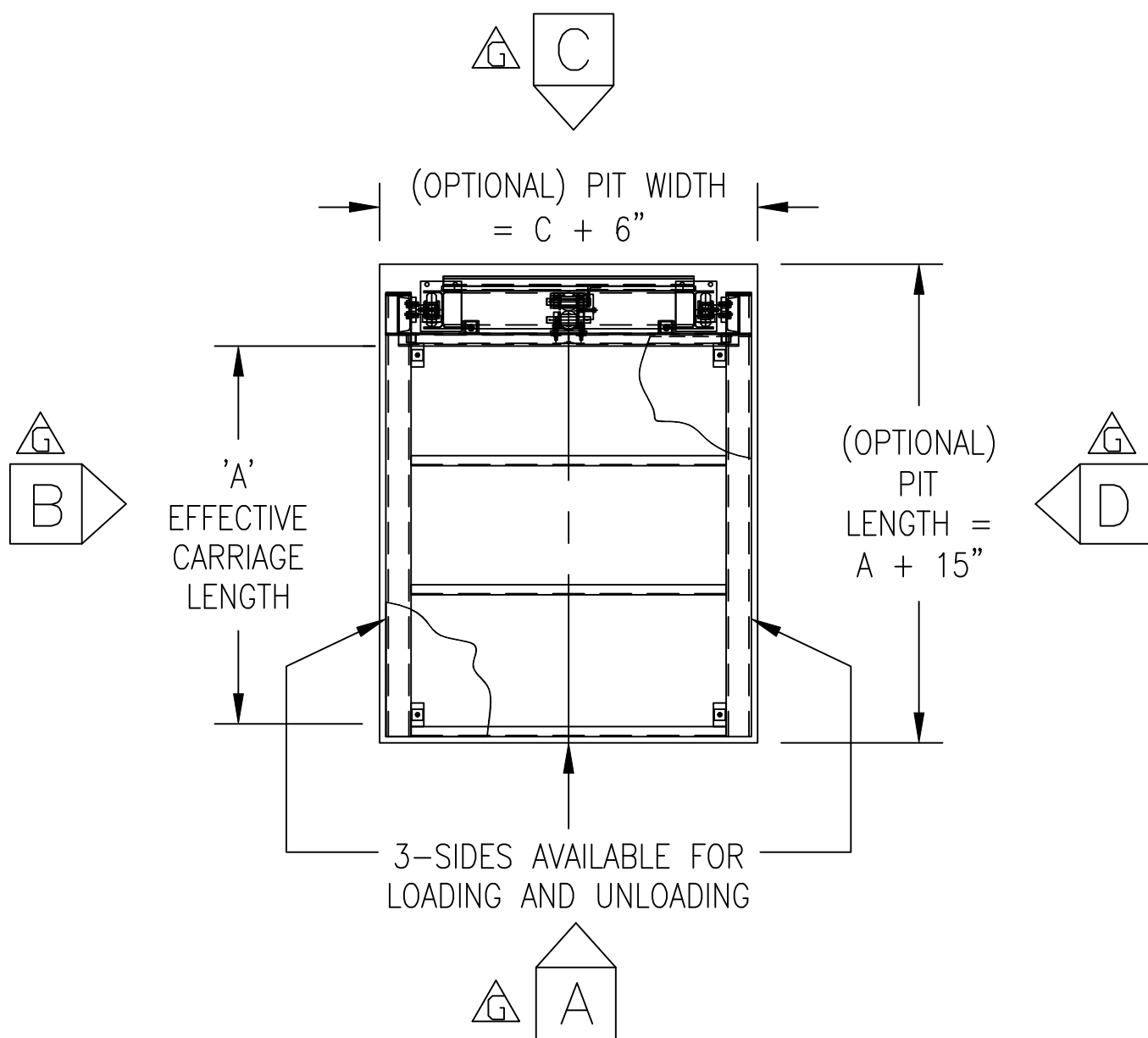
REV	DATE	BY	ECH
G	10/26/18	AEB	18.071
F	4/25/13	AEB	12.101
E	10.13.06	MRR	06.017
D	12/13/01	MN	01.030
C	2/4/99	MHS	98.052
B	12/12/97	MHS	97.057

PFLOW INDUSTRIES MATERIAL HANDLING SOLUTIONS 6720 N. TEUTONIA AVE. MILWAUKEE, WI 53209 P (414) 352-9000 F (414) 352-9002

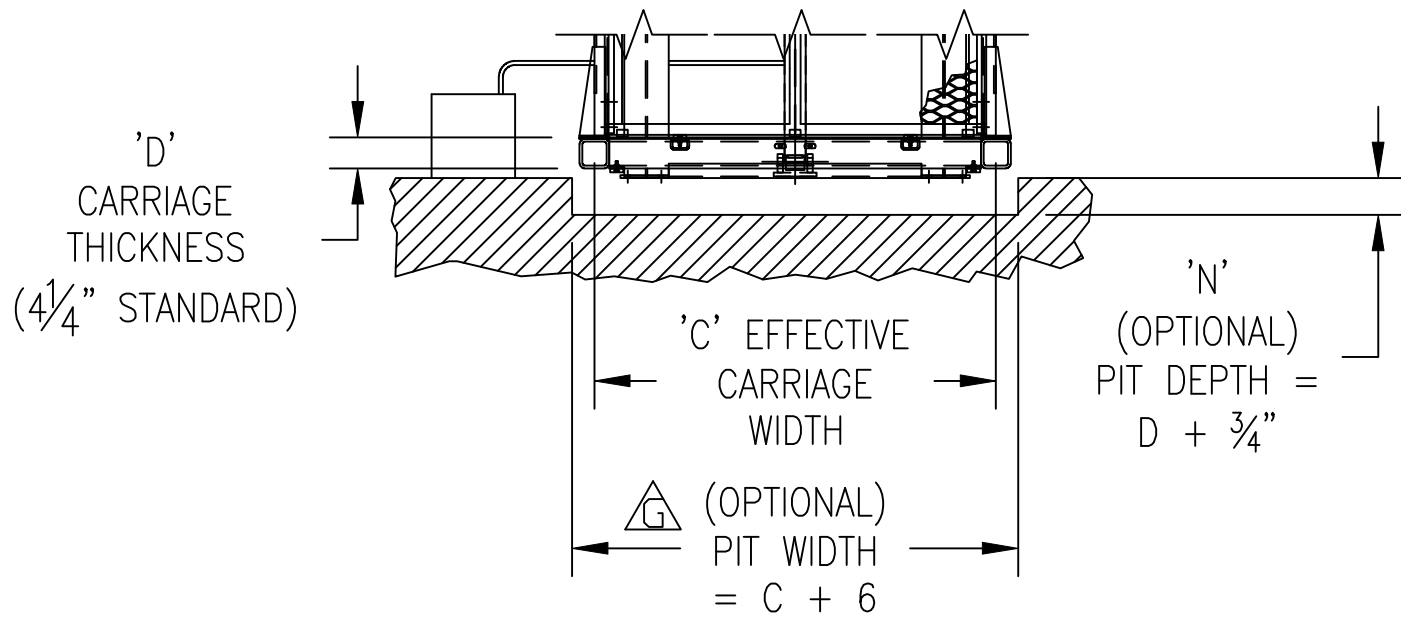
THIS PRINT INCLUDING THE DESIGN AND PRINCIPLES OF CONSTRUCTION IS THE PROPERTY OF PFLOW INDUSTRIES, INC. AND MUST BE RETURNED ON DEMAND. THE INFORMATION CONTAINED HEREON IS CONFIDENTIAL AND MAY NOT BE USED NOR DIVULGED WITHOUT PERMISSION OF PFLOW INDUSTRIES, INC.

TITLE: **SERIES D DIMENSIONAL DRAWING**

DATE	SCALE	DRAWING NUMBER	SHT	REV
3/19/96	N.T.S.	9424-0008	1	G
DRAWN: PCP		CHECKED:	OF 1	



A PLAN VIEW - LOWER LEVEL



B/C VIEW A

C	10/26/18	AEB	18.071
B	4/25/13	AEB	12.101
A	3/5/03	DMB	03.007
REV	DATE	BY	ECN

REVISIONS

NOTES:

1. ALL DIMENSIONS SHOWN ARE REPRESENTATIVE OF AVERAGE APPLICATIONS. THESE DIMENSIONS WILL CHANGE BASED ON APPLICATION SPECIFIC CONDITIONS.
2. CONSULT FACTORY BEFORE CONSTRUCTION OF PIT.
3. IF CARRIAGE IS OVER 6'-0 SQ. OR 3000#, CONSULT FACTORY.



MATERIAL HANDLING SOLUTIONS

6720 N. TEUTONIA AVE.
MILWAUKEE, WI 53209
P (414) 352-9000
F (414) 352-9002

THIS PRINT INCLUDING THE DESIGN AND PRINCIPLES OF CONSTRUCTION IS THE PROPERTY OF PFLOW INDUSTRIES, INC. AND MUST BE RETURNED ON DEMAND. THE INFORMATION CONTAINED HEREON IS CONFIDENTIAL AND MAY NOT BE USED NOR DIVULGED WITHOUT PERMISSION OF PFLOW INDUSTRIES, INC.

TITLE
**SERIES D
 PIT DIMENSIONAL INFORMATION**

DATE	8/31/01	SCALE	N.T.S.	DRAWING NUMBER	9424-0008-PIT	SHT	1	REV	C
DRAWN	BL	CHECKED				OF	1		