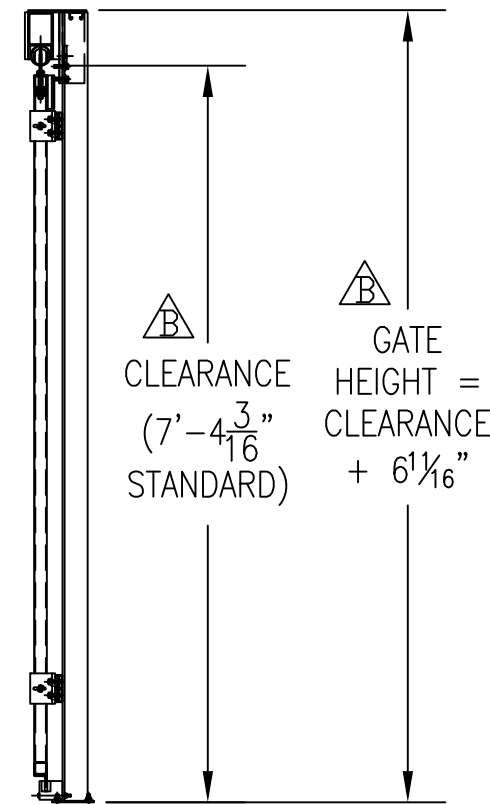
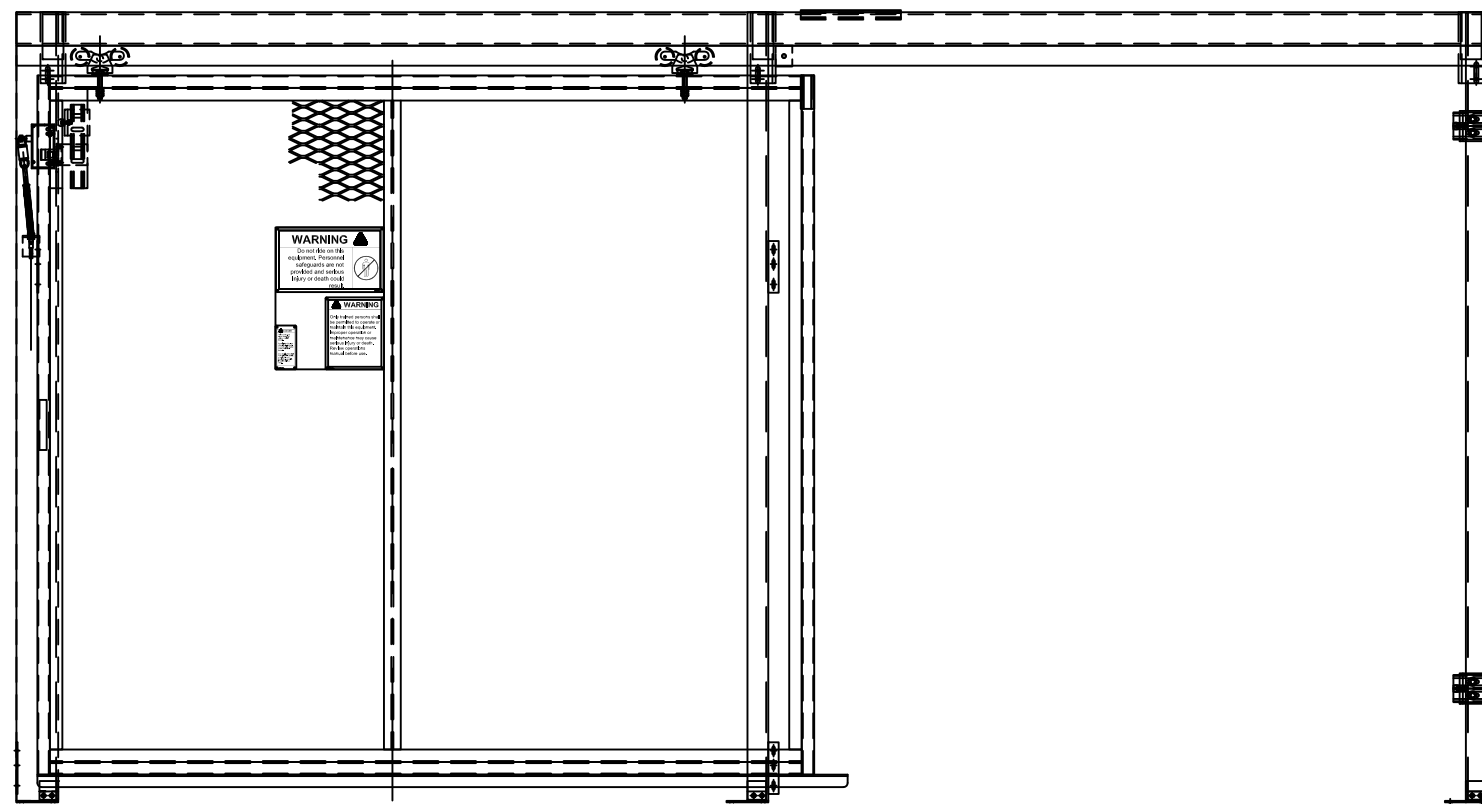


SLIDING GATE

- △ - STANDARD HEIGHT IS 7'-10 7/8"
- △ - PRACTICAL NOMINAL WIDTH LIMIT OF 10'-0" (22"-8" O.A.)

INTERLOCKS

- △ - G.A.L.



B 4/25/13 AEB 12.101 A 3/6/07 DMB 07.003				UNLESS OTHERWISE INDICATED : ALL DIMENSIONS ARE IN INCHES. TOLERANCES : FRACTIONAL ± 1/16 DECIMAL .XX ± .03 .XXX ± .015 ANGULAR : ± 1° MACH. SURFACE FINISH : 250 DO NOT SCALE DRAWING!		PFlow PFLOW INDUSTRIES, INC. (414) 352-9000 6720 North Teutonia Ave. (414) 352-9002 FAX Milwaukee, WI 53209 info@pflow.com	
REVISIONS				MATERIAL		TITLE SINGLE SLIDING GATE (H.D. TRACK STYLE) DIMENSIONAL INFORMATION	
REV	DATE	BY	ECN	REFERENCE (NUMBER)	DATE 9/12/00	SCALE N.T.S.	DRAWING NUMBER 9424-0022
					DRAWN DMB	CHECKED	SHT 1 OF 1
							REV B