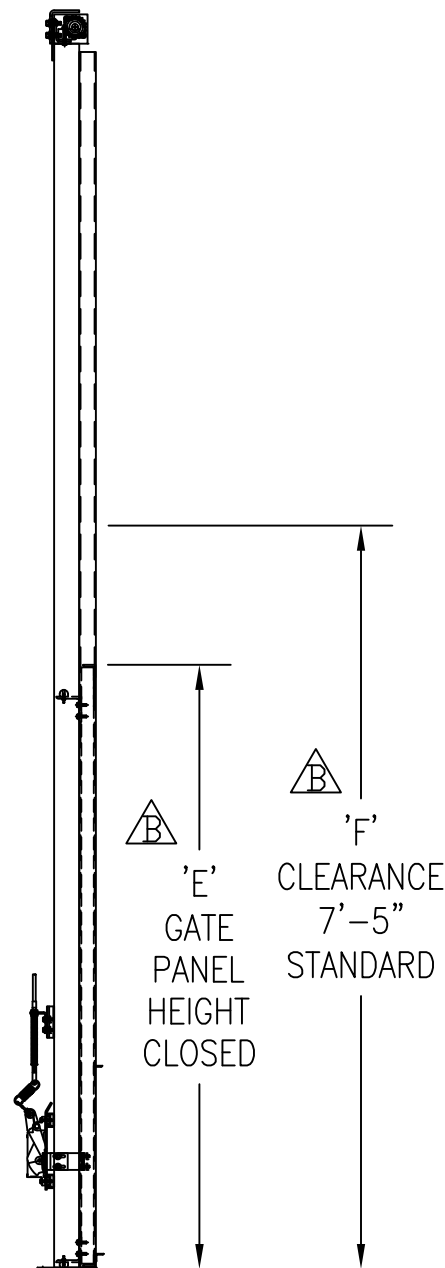
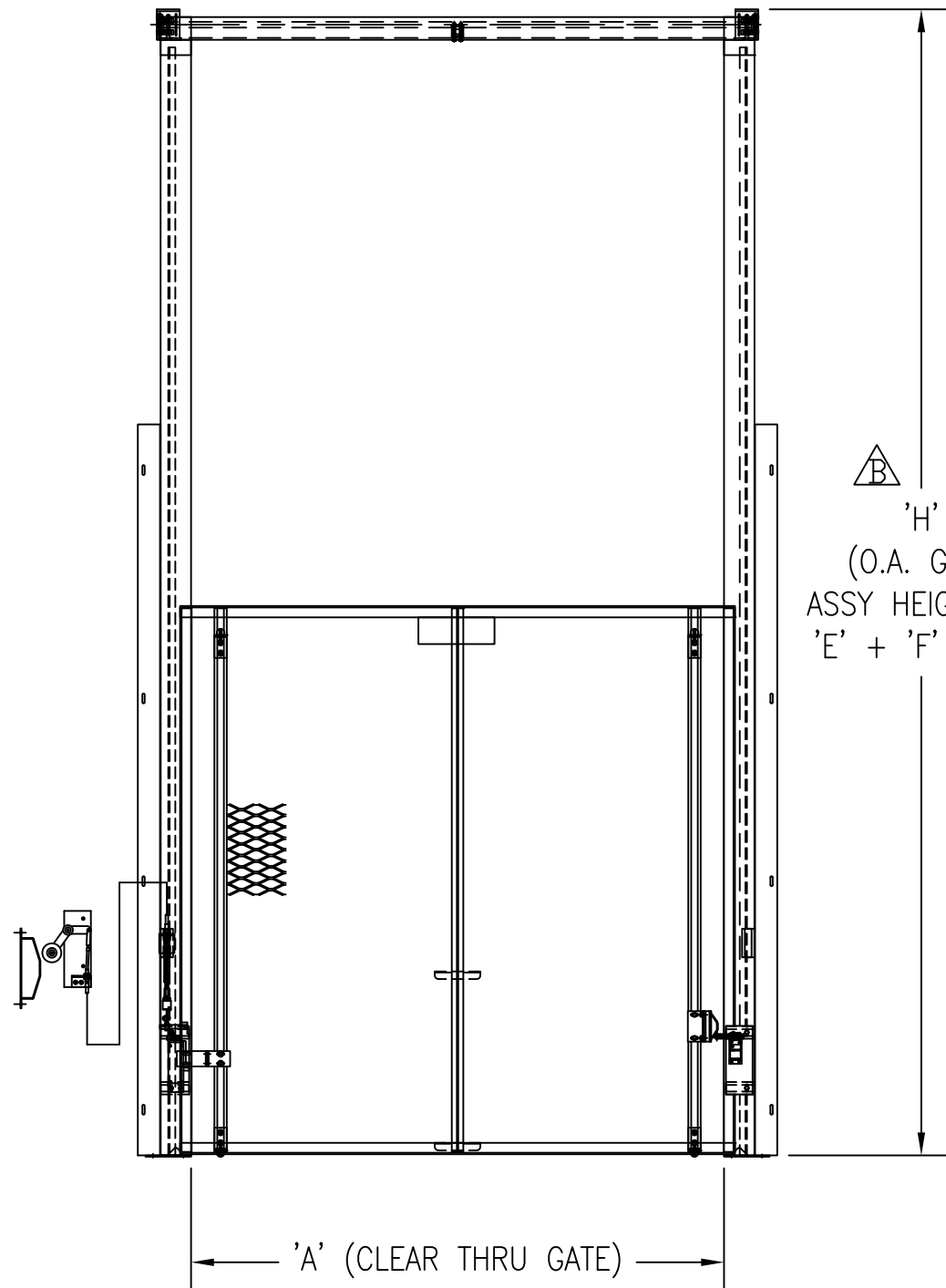


SINGLE PANEL  
VERTICAL ACTING GATE

- STANDARD HEIGHT IS:  
13'-6" WITH A 6'-0" PANEL  
11'-6" WITH A 4'-0" PANEL
- MAXIMUM WIDTH IS 17'-0"

INTERLOCKS

- ANDERSON OR CABLE  
ACTUATED ANDERSON



REV	DATE	BY	ECN
B	4/25/13	AEB	12.101
A	8/21/98	MHS	98.030
REVISIONS			

UNLESS OTHERWISE INDICATED :  
ALL DIMENSIONS ARE IN INCHES.

TOLERANCES : FRACTIONAL ± 1/16  
DECIMAL .XX ± .03  
.XXX ± .015  
ANGULAR : ± 1°

MACH. SURFACE FINISH : 250  
DO NOT SCALE DRAWING!



PFLOW INDUSTRIES, INC. (414) 352-9000  
6720 North Teutonia Ave. (414) 352-9002 FAX  
Milwaukee, WI 53209 info@pflow.com

TITLE  
SINGLE PANEL VERTICAL ACTING GATE  
DIMENSIONAL INFORMATION

DATE	SCALE	DRAWING NUMBER	SHT	REV
6/19/98	N.T.S.	9424-0016	1	B
DRAWN JWH	CHECKED		OF 1	