

LIFT RIGHT SIDE VIEW

Δ 'G'
 OVERALL
 LIFT HEIGHT =
 $E + F + 21" + N$ (OPTIONAL)
 (WITHOUT DECKLOCKS)
 $E + F + 28" + N$ (OPTIONAL)
 (WITH DECKLOCKS)
 MINIMUM

Δ 'E'
 EFFECTIVE
 CARRIAGE
 HEIGHT
 7'-0"
 STANDARD

Δ 'D'
 CARRIAGE
 THICKNESS
 (4 1/4"
 STANDARD)

Δ (OPTIONAL)
 N
 PIT DEPTH =
 $D + 3/4"$
 SEE NOTES

'A' EFFECTIVE
CARRIAGE LENGTH

'B'
OVERALL CARRIAGE
LENGTH = A + 4"

'F'
FLOOR
TO
FLOOR

Δ
LIFT
FRONT

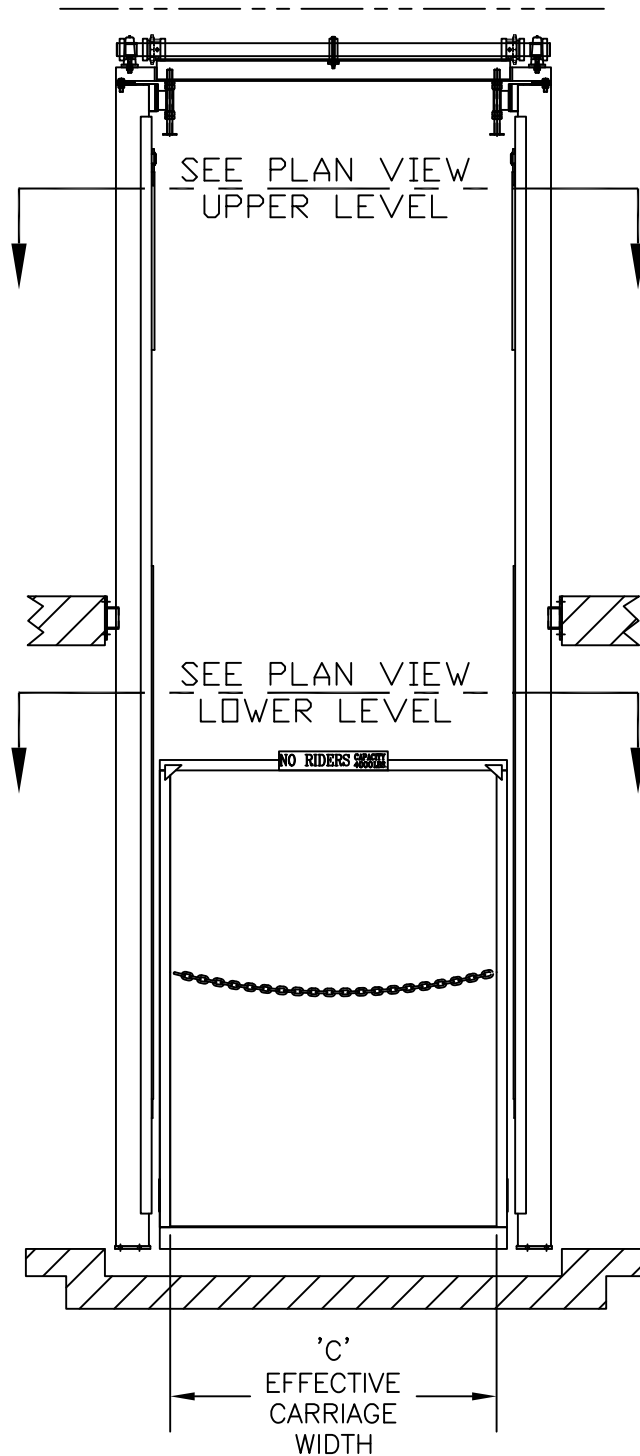
3" MINIMUM
RECOMMENDED
CLEARANCE

B	2/11/13	AEB	12.101
A	1/28/03	AEB	03.002
REV	DATE	BY	ECN
REVISIONS			

NOTES:

- 1.) ALL DIMENSIONS SHOWN REPRESENTATIVE OF AVERAGE APPLICATIONS. THESE DIMENSIONS WILL CHANGE BASED ON APPLICATION SPECIFIC CONDITIONS.
- 2.) CONSULT FACTORY BEFORE CONSTRUCTION OF PIT.
- 3.) IF CARRIAGE IS OVER 8'-0" SQ. & 4000#, CONSULT FACTORY.

		PFLOW INDUSTRIES, INC. (414) 352-9000 6720 North Teutonia Ave. (414) 352-9002 FAX Milwaukee, WI 53209 info@pflow.com							
		TITLE SERIES 21 (STRADDLE) DIMENSIONAL INFORMATION							
DATE	3/19/96	SCALE	N.T.S.	DRAWING NUMBER	9424-0006	SHT	1	REV	B
DRAWN	PCP	CHECKED				OF	3		



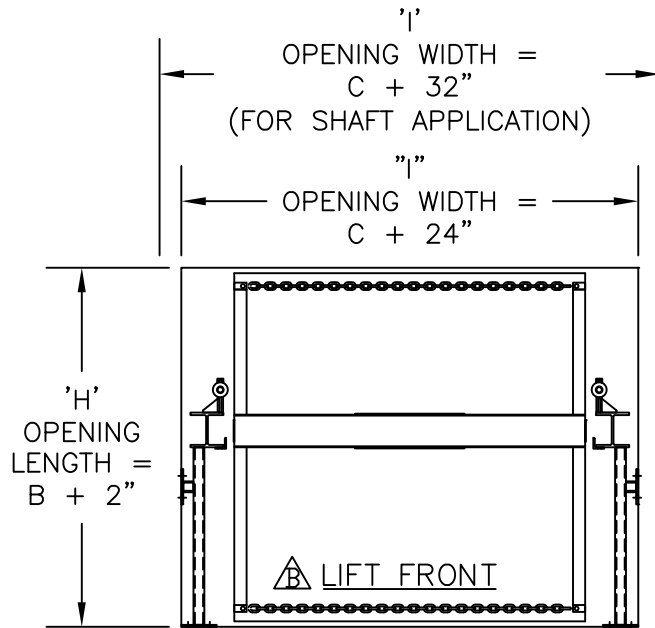
△ LIFT FRONT VIEW

B	2/11/13	AEB	12.101
A	1/28/03	AEB	03.002
REV	DATE	BY	ECN
REVISIONS			

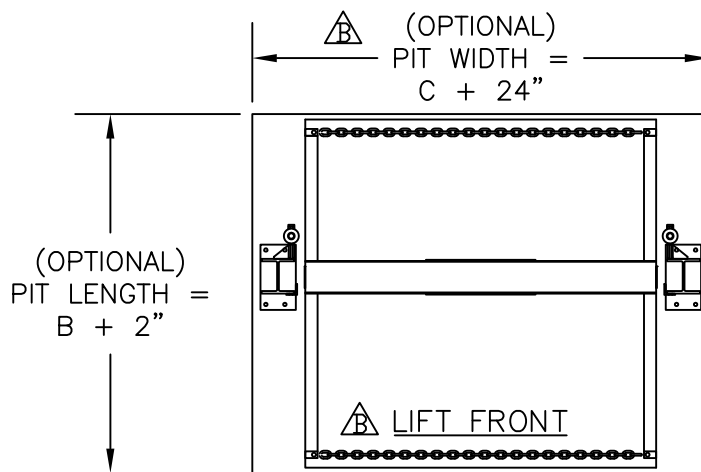
NOTES:

- 1.) ALL DIMENSIONS SHOWN REPRESENTATIVE OF AVERAGE APPLICATIONS. THESE DIMENSIONS WILL CHANGE BASED ON APPLICATION SPECIFIC CONDITIONS.
- 2.) CONSULT FACTORY BEFORE CONSTRUCTION OF PIT.
- 3.) IF CARRIAGE IS OVER 8'-0" SQ. & 4000#, CONSULT FACTORY.

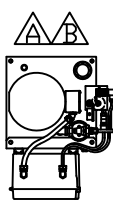
		PFLOW INDUSTRIES, INC. 6720 North Teutonia Ave. Milwaukee, WI 53209		(414) 352-9000 (414) 352-9002 FAX info@pflow.com									
		TITLE SERIES 21 (STRADDLE) DIMENSIONAL INFORMATION				DATE 3/19/96		SCALE N.T.S.		DRAWING NUMBER 9424-0006		SHT OF 2	
DRAWN PCP		CHECKED		REV 3		REV B							



PLAN VIEW - UPPER LEVEL



PLAN VIEW - LOWER LEVEL



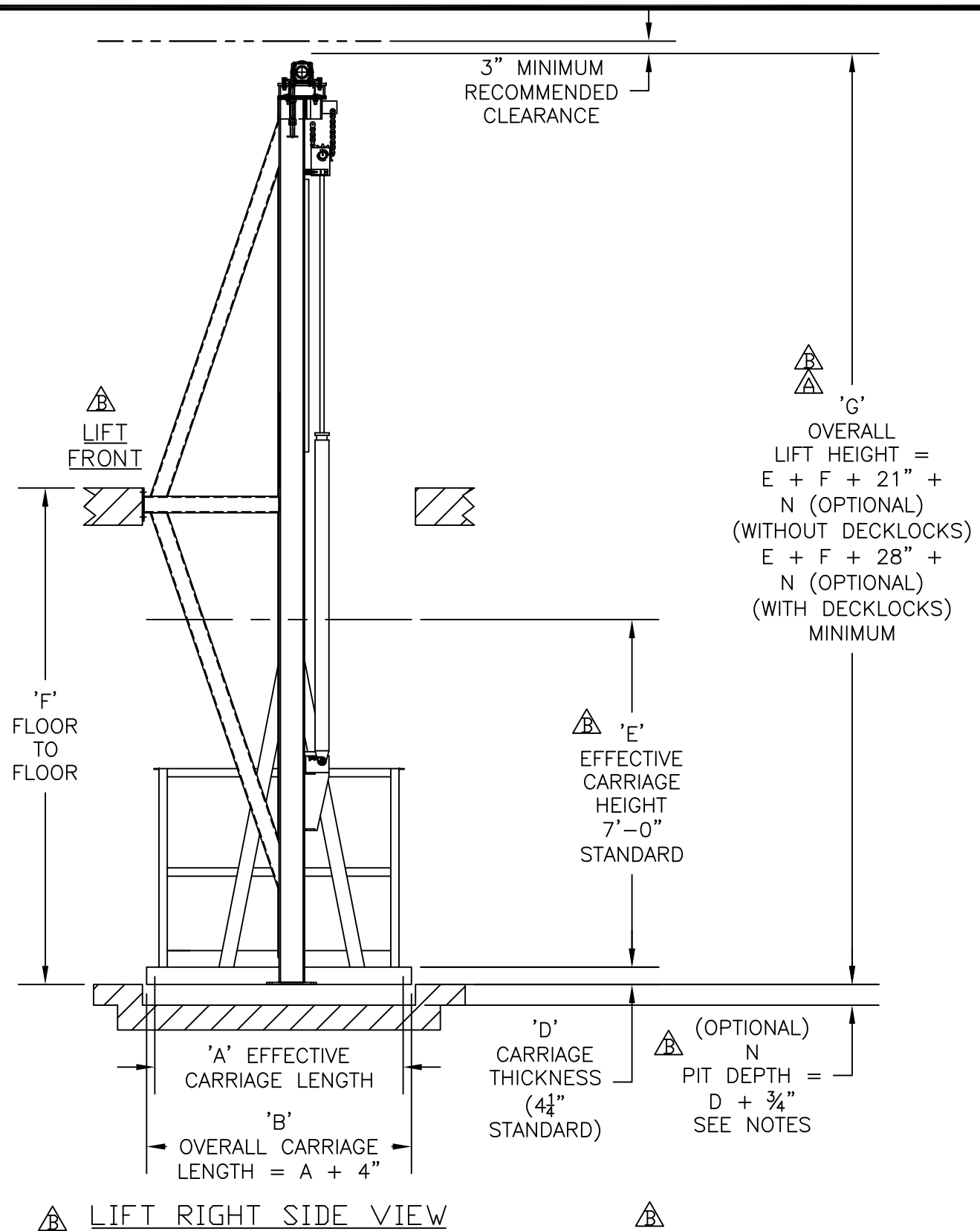
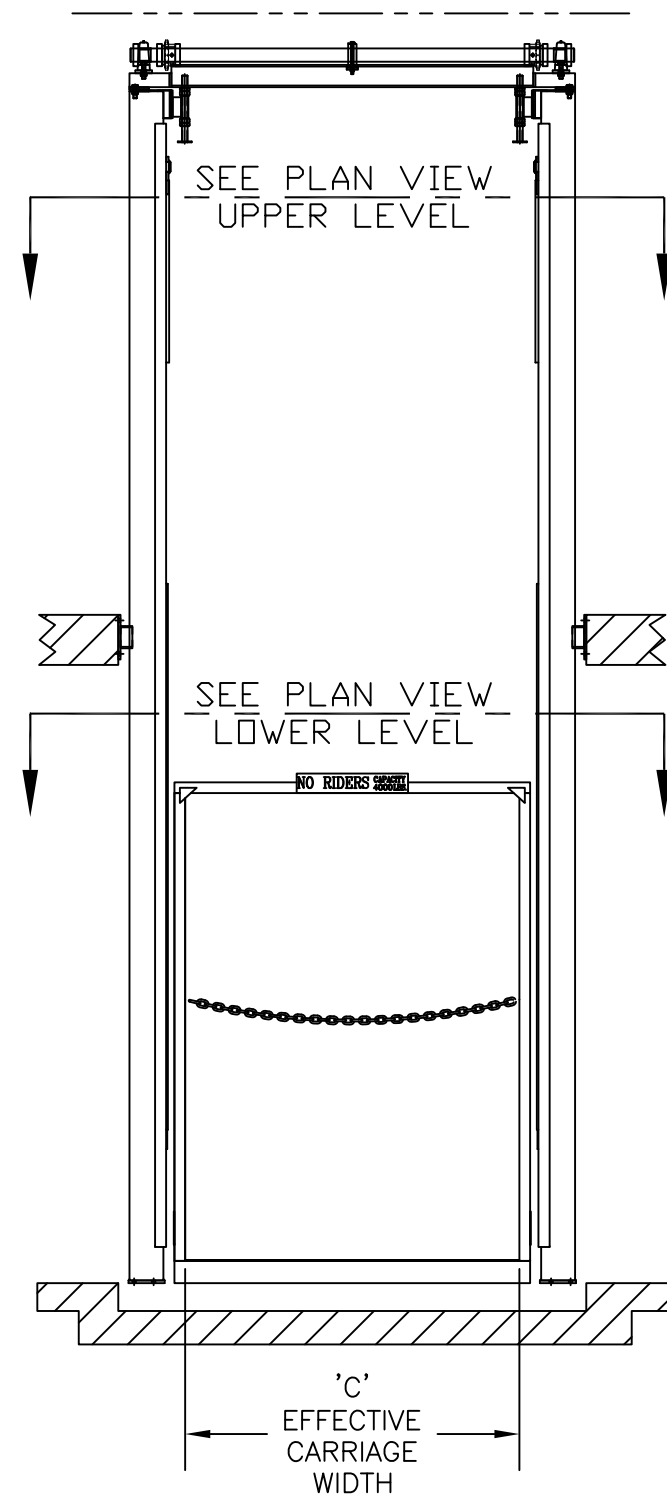
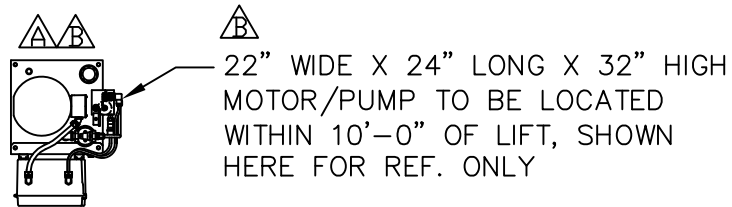
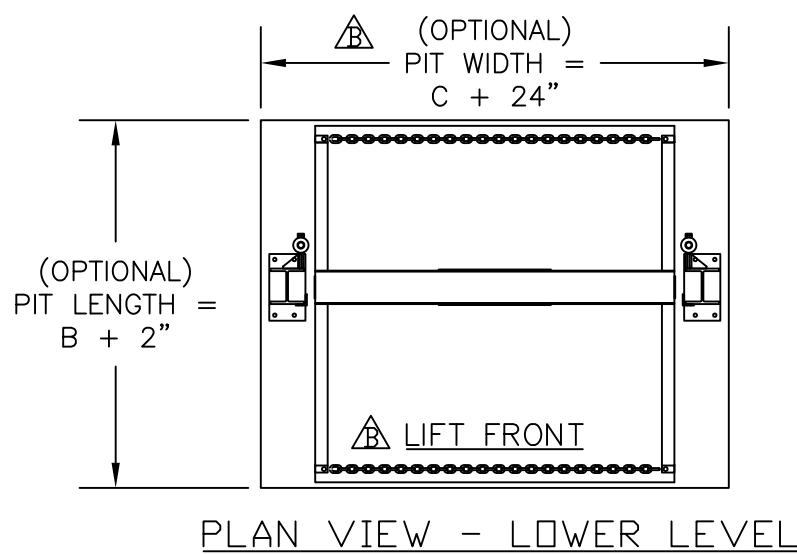
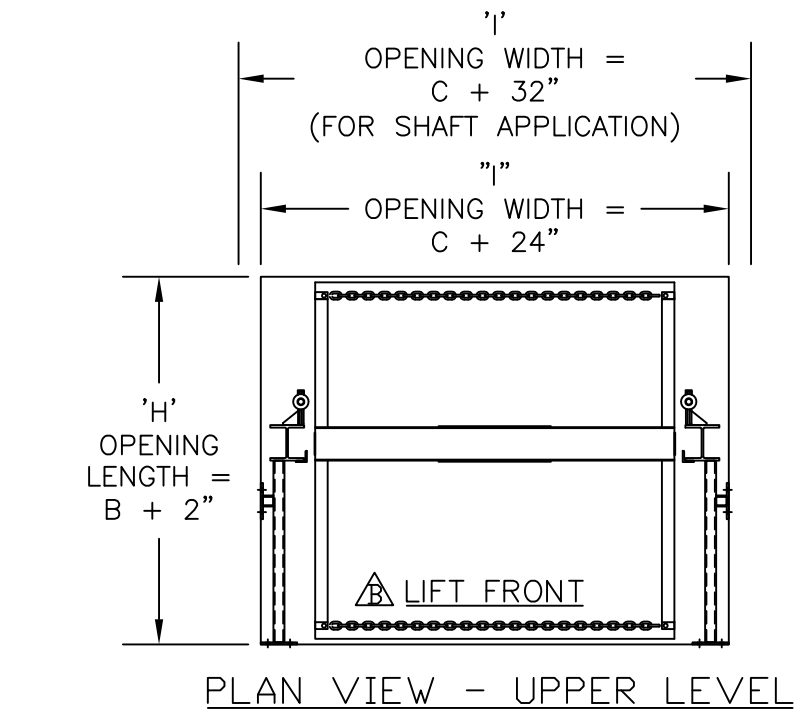
\triangle 22" WIDE X 24" LONG X 32" HIGH MOTOR/PUMP TO BE LOCATED WITHIN 10'-0" OF LIFT, SHOWN HERE FOR REF. ONLY

B	2/11/13	AEB	12.101
A	1/28/03	AEB	03.002
REV	DATE	BY	ECN
REVISIONS			

NOTES:

- 1.) ALL DIMENSIONS SHOWN REPRESENTATIVE OF AVERAGE APPLICATIONS. THESE DIMENSIONS WILL CHANGE BASED ON APPLICATION SPECIFIC CONDITIONS.
- 2.) CONSULT FACTORY BEFORE CONSTRUCTION OF PIT.
- 3.) IF CARRIAGE IS OVER 8'-0" SQ. & 4000#, CONSULT FACTORY.

PFLOW		PFLOW INDUSTRIES, INC. 6720 North Teutonia Ave. Milwaukee, WI 53209		(414) 352-9000 (414) 352-9002 FAX info@pflow.com	
TITLE SERIES 21 (STRADDLE) DIMENSIONAL INFORMATION					
DATE	3/19/96	SCALE	N.T.S.	DRAWING NUMBER	9424-0006
DRAWN	PCP	CHECKED		SHT OF	3 / 3
					REV B



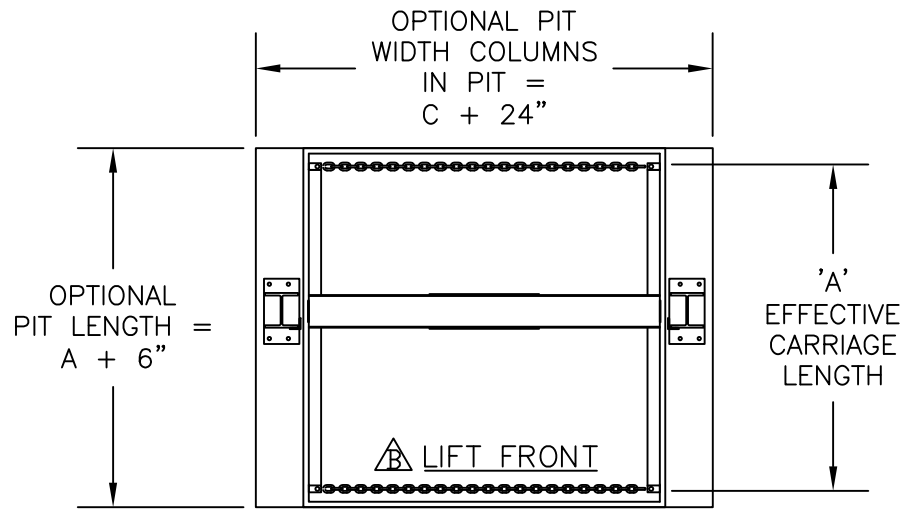
- NOTES:
- 1.) ALL DIMENSIONS SHOWN REPRESENTATIVE OF AVERAGE APPLICATIONS. THESE DIMENSIONS WILL CHANGE BASED ON APPLICATION SPECIFIC CONDITIONS.
 - 2.) CONSULT FACTORY BEFORE CONSTRUCTION OF PIT.
 - 3.) IF CARRIAGE IS OVER 8'-0" SQ. & 4000#, CONSULT FACTORY.

PFLOW

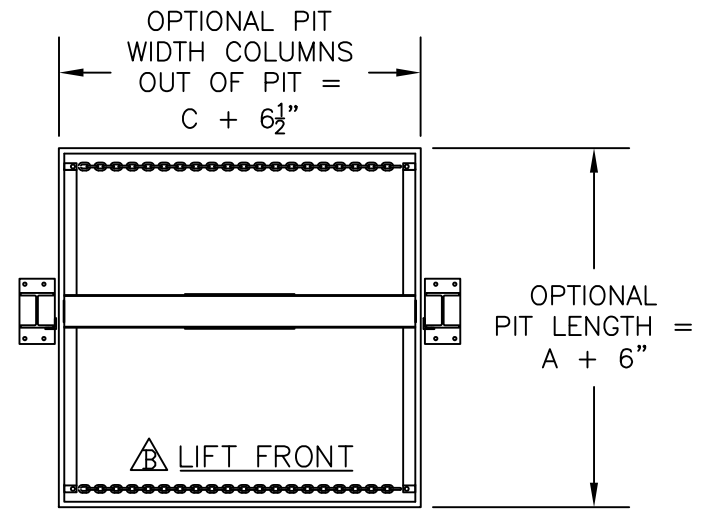
PFLOW INDUSTRIES, INC. (414) 352-9000
 6720 North Teutonia Ave. (414) 352-9002 FAX
 Milwaukee, WI 53209 info@pflow.com

REV	DATE	BY	ECN
B	2/11/13	AEB	12.101
A	1/28/03	AEB	03.002
REVISIONS			
DATE	3/19/96	SCALE	N.T.S.
DRAWN	PCP	CHECKED	

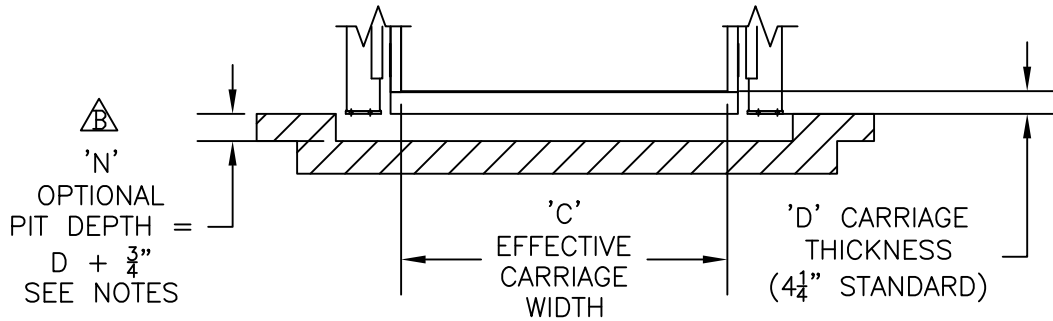
TITLE				DRAWING NUMBER			
SERIES 21 (STRADDLE)				9424-0006			
DIMENSIONAL INFORMATION				SHT 1 OF 1			
				REV B			



PLAN VIEW - LOWER LEVEL



PLAN VIEW - LOWER LEVEL



LIFT FRONT VIEW

NOTES:

- 1.) ALL DIMENSIONS SHOWN REPRESENTATIVE OF AVERAGE APPLICATIONS. THESE DIMENSIONS WILL CHANGE BASED ON APPLICATION SPECIFIC CONDITIONS.
- 2.) CONSULT FACTORY BEFORE CONSTRUCTION OF PIT.
- 3.) IF CARRIAGE IS OVER 8'-0" SQ. & 4000#, CONSULT FACTORY.



PFLOW		PFLOW INDUSTRIES, INC. 6720 North Teutonia Ave. Milwaukee, WI 53209		(414) 352-9000 (414) 352-9002 FAX info@pflow.com	
TITLE					
SERIES 21 (STRADDLE) PIT DIMENSIONAL INFORMATION					
DATE	1/28/03	SCALE	N.T.S.	DRAWING NUMBER	9424-0006-PIT
DRAWN	DMB	CHECKED		SHT OF	1 OF 1
REVISIONS					REV B

REV	DATE	BY	ECN
B	2/11/13	AEB	12.101
A	3/5/03	DMB	03.007

